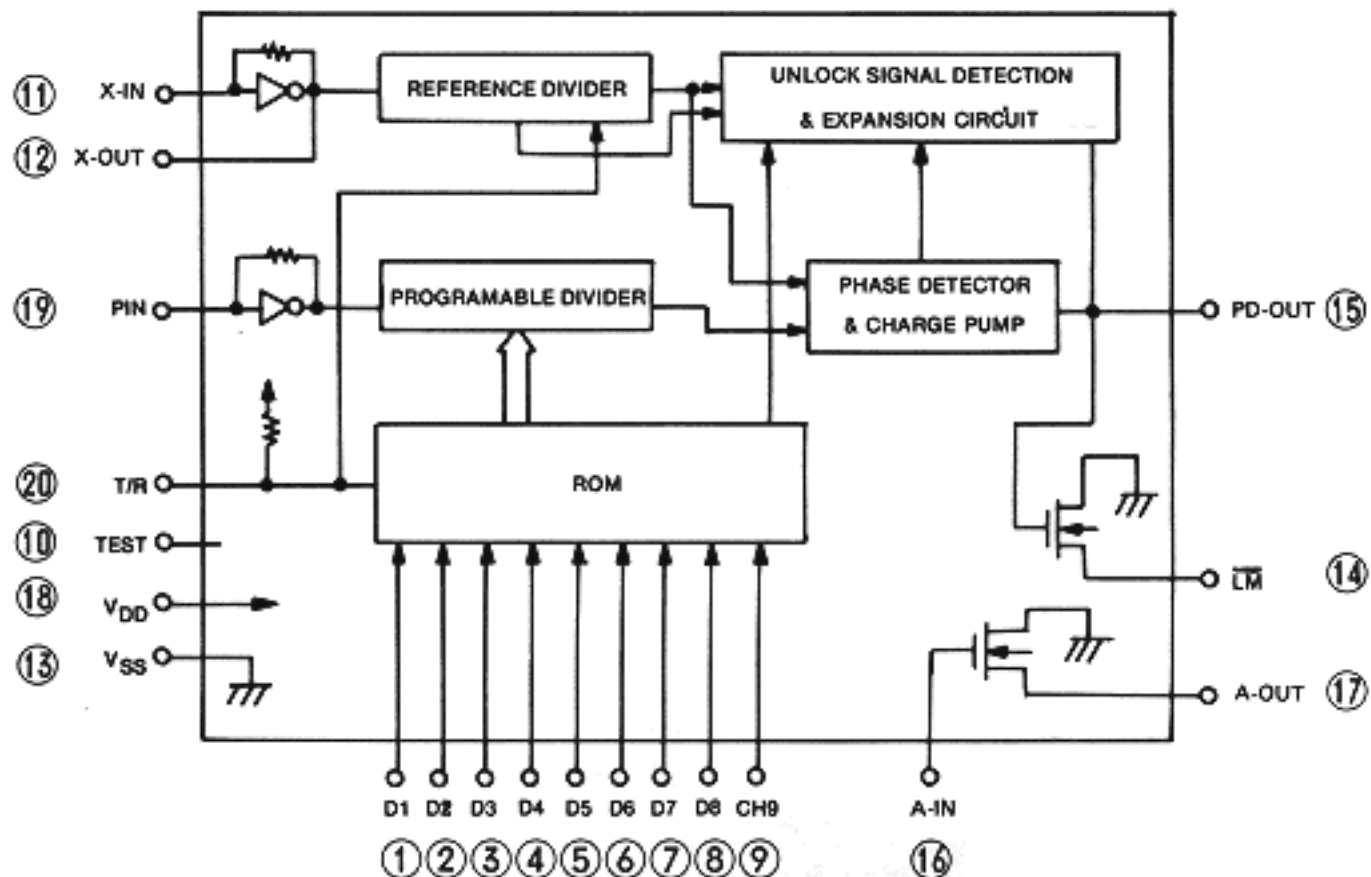


IC102 LC7132



D1 to D8 : Program input (7 segment code)

X_{IN}, X_{OUT} : Amplifier for crystal oscillator

V_{DD}, V_{SS} : Power Supply

LM : Lock monitor output, Lock = open or 1, Unlock = "0"

PDOUT : Charge dump output

A_{IN}, A_{OUT} : Amplifier for low-pass filter

PIN : Programmable

T/R : Transmission/reception change over input

$\bar{T}/R = "0"$ - Transmission, $\bar{T}/R = "1"$ - reception

CH9 : Channel 9 select input

TEST : LSI test pin (Connected to VSS or open)