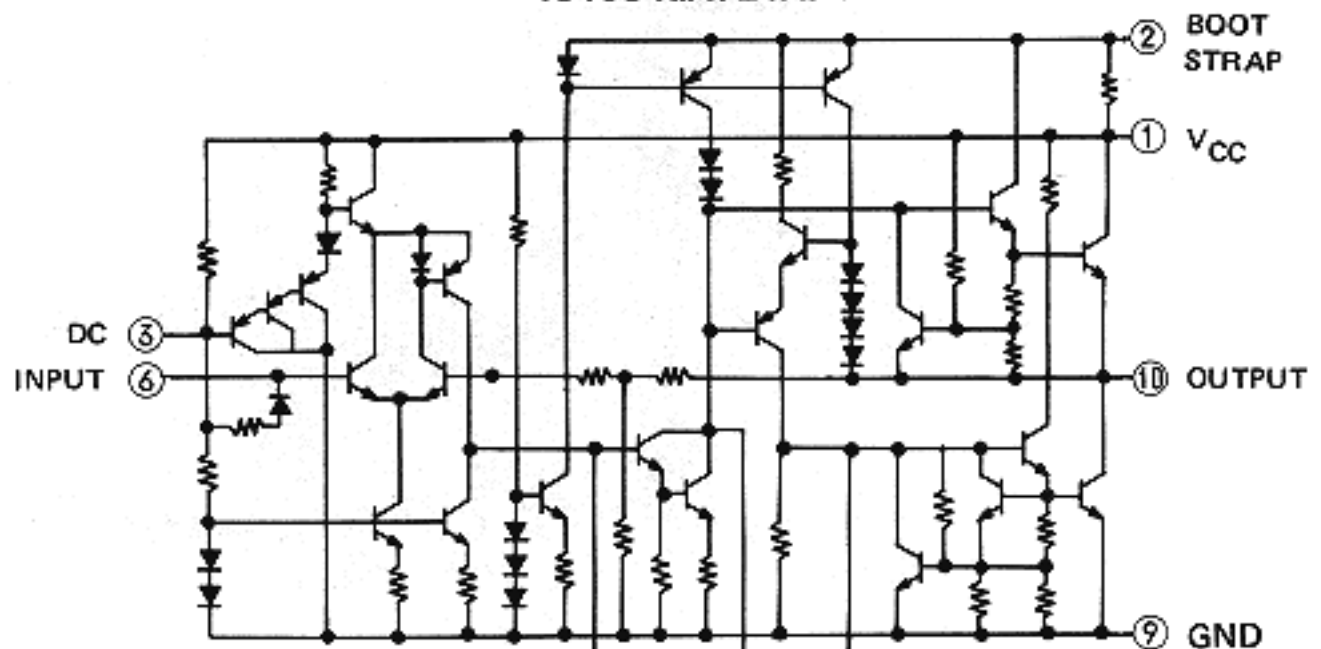


# IC103 KIA721AP



DC: Decoupling  
PC: Phase compensation  
NF: Negative feedback