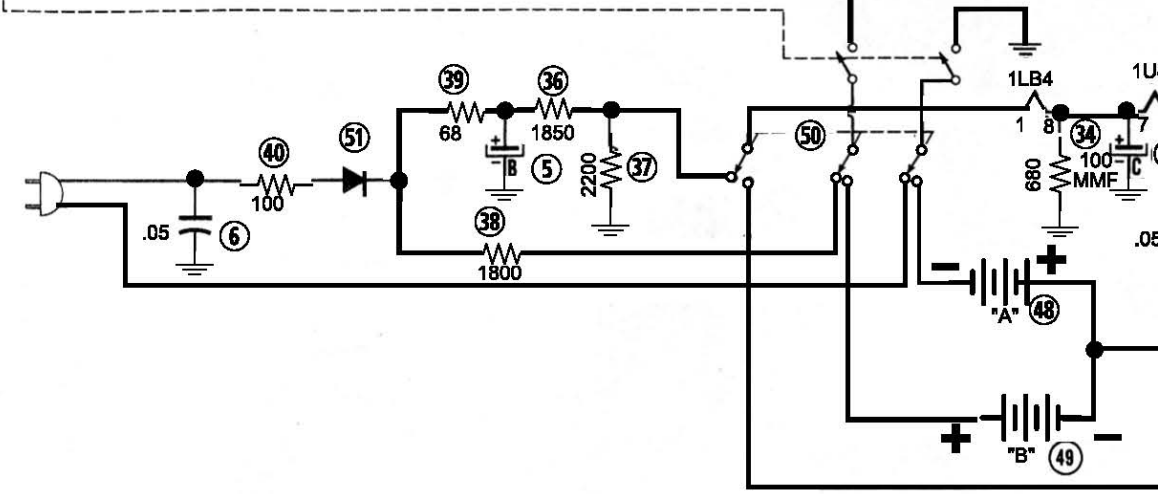
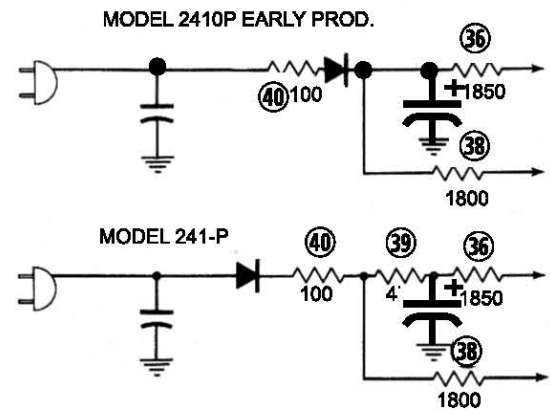


DENOTES CHASSIS      DENOTES B-



VOLTAGE AND RESISTANCE READINGS TAKEN IN AC-DC POSITION.

RESISTANCE READINGS