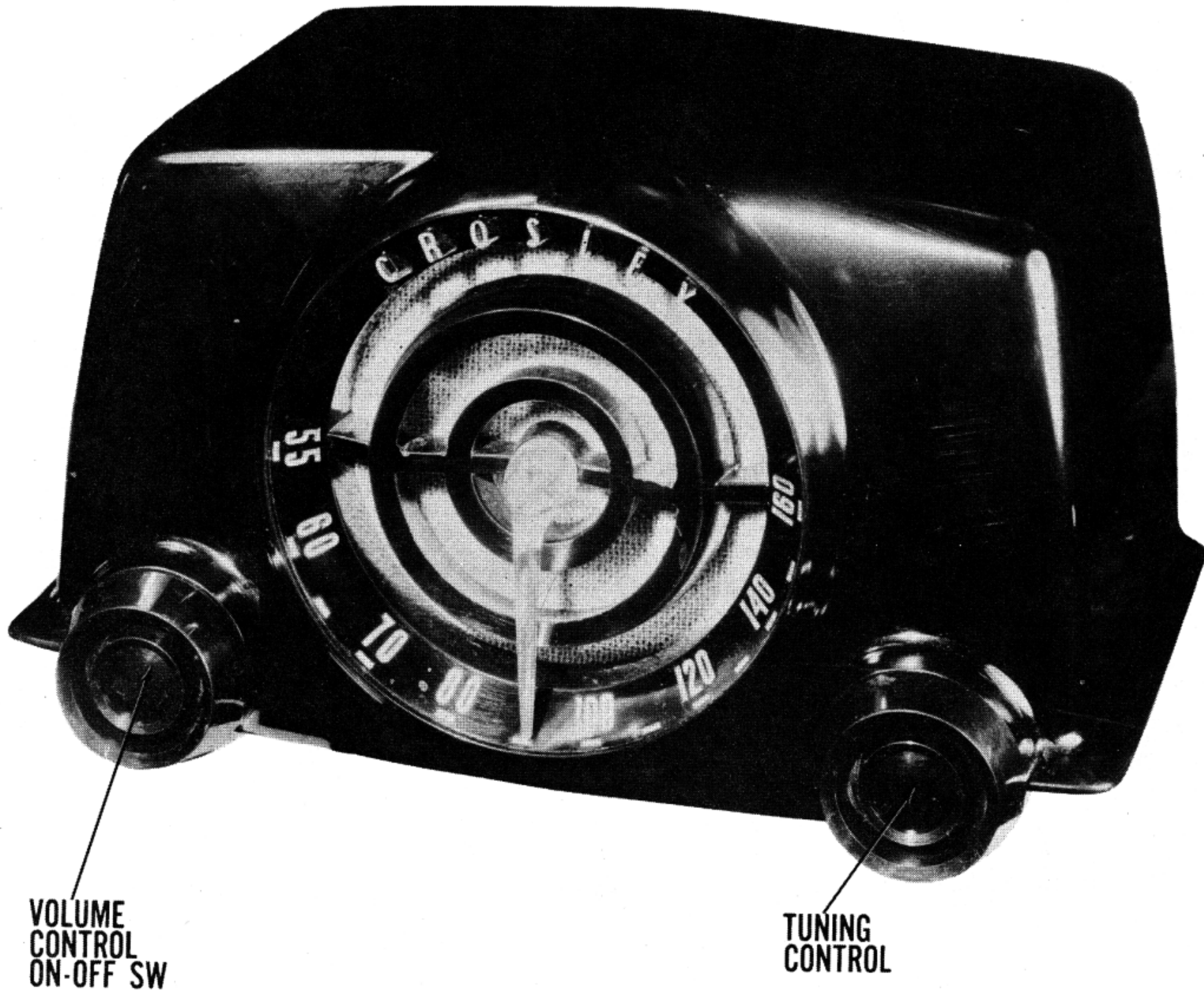


PHOTOFACT* Folder
TRADE MARK



**CROSLEY MODELS 11-100U, 11-101U,
 11-102U, 11-103U, 11-104U, 11-105U**

**CROSLEY MODELS 11-100U, 11-101U,
 11-102U, 11-103U, 11-104U, 11-105U**



**CROSLEY MODELS 11-100U, 11-101U,
 11-102U, 11-103U, 11-104U, 11-105U**

CROSLEY MODEL 11-104U

TRADE NAME	Crosley, Models 11-100U, 11-101U, 11-102U, 11-103U, 11-104U, 11-105U (Ch. 301)		
MANUFACTURER	Crosley Corp., 1329 Arlington St., Cincinnati, Ohio		
TYPE SET	AC-DC Operated Superheterodyne Receiver With Loop Antenna		
TUBES (FIVE)	Types 12BE6 Converter, 12BA6 IF Amp., 12AV6 Det. -AVC-AF, 50C5 Power Output, 35W4 Rectifier		
POWER SUPPLY	105-125 Volts AC-DC	RATING	.26 Amp. @ 117 Volts AC
TUNING RANGE—BROADCAST	540-1600KC		

ALIGNMENT INSTRUCTIONS—READ CAREFULLY BEFORE ATTEMPTING ALIGNMENT

To set pointer, turn tuning cap fully closed and set pointer parallel with base of dial.
 Use isolation transformer if available. If not, connect a .1MFD capacitor in series with low side of signal generator and B-.
 Loop should be maintained in same relative position to chassis as when receiver is in cabinet.
 Volume control should be at maximum position. Output of signal generator should be no higher than necessary to obtain an output reading. Use an insulated alignment screwdriver for adjusting.

	DUMMY ANTENNA	SIGNAL GENERATOR COUPLING	SIGNAL GENERATOR FREQUENCY	RADIO DIAL SETTING	OUTPUT METER	ADJUST	REMARKS
1.	200MMF	High side to stator on rear section of tuning gang. Low side to B-.	455KC (400 ^u Mod.)	Tuning gang fully open.	Across voice coil	A1, A2, A3, A4	Adjust for maximum output.
2.		Loop	1620KC	"	"	A5	Fashion loop of several turns of wire and radiate signal into loop of receiver. Adjust for maximum output.
3.		Loop	1400KC	Tune for max. output.	"	A6	"

HOWARD W. SAMS & CO., INC. • Indianapolis 1, Indiana

"The listing of any available replacement part herein does not constitute in any case a recommendation, warranty or guaranty by Howard W. Sams & Co., Inc., as to the quality and suitability of such replacement part. The numbers of these parts have been compiled from information furnished to Howard W. Sams & Co., Inc., by the manufacturers of the particular type of replacement part listed."
 "Reproduction or use, without express permission, of editorial or pictorial con-

tent, in any manner, is prohibited. No patent liability is assumed with respect to the use of the information contained herein. Copyright 1951 by Howard W. Sams & Co., Inc., Indianapolis, Indiana, U. S. of America. Copyright under International Copyright Union. All rights reserved under Inter-American Copyright Union (1910) by Howard W. Sams & Co., Inc." Printed in U. S. of America

DATE 3-51

SET 127

FOLDER 5

PARTS LIST AND DESCRIPTIONS

CROSLLEY
MODEL 11-100U

TUBES (SYLVANIA or Equivalent)

ITEM No.	USE	REPLACEMENT DATA			INSTALLATION NOTES
		CROSLLEY PART No.	STANDARD REPLACEMENT	RMA BASE TYPE	
V1	Converter	12BE6	12BE6	7CH	
V2	IF Amp.	12BA6	12BA6	7BK	
V3	Det. -AVC-AF	12AV6	12AV6	7BT	
V4	Power Output	50C5	50C5	7CV	
V5	Rectifier	35W4	35W4	5BQ	

CAPACITORS

Capacity values given in the rating column are in mfd. for Electrolytic and Paper Capacitors, and in mmfd. for Mica and Ceramic Capacitors.

ITEM No.	RATING CAP.	VOLT	REPLACEMENT DATA					IDENTIFICATION CODES AND INSTALLATION NOTES
			CROSLLEY PART No.	AEROVOX PART No.	CENTRALAB PART No.	CORNELL-DUBILIER PART No.	ERIE PART No.	
C1A	100	150	B-148357	AF101010D	UP84215	UP84215	TVL-3442	Filter
B	30	150	39001-19	P288-1	DF-104	PTE4P1	2TM-P1	Filter
C2	.1	200	C-137727-109	SI39	D6-390	5W5Q4	IFM-44	AVC Filter
C3	.39		C-144875-1	SI200	D6-201	5W5T2	34C3	Osc. Grid Cap
C4A	200			BPD-002	DD-202	PTE6D2		Diode RF Filter
B	2000			SI200	D6-201	5W5T2		Audio Coupling
C	200			SI200	DD-502	PTE6D5		AF Amp. Plate
D	5000			BPD-005	D6-502	5W5T5		Audio Coupling
C5	.0005	600	39001-5	1468-0005	D6-501	5W5T5	6TM-T5	Tone Comp.
C6	.005	600	39001-11	P688-005	D6-502	PTE6D5	6TM-D5	Tone Comp.
C7	.01	400	39001-13	P488-01	D6-103	PTE4S1	4TM-S1	Output Plate
C8	.08	200	39001-85	P288-1	DF-104	PTE4P1	72P52	Line Isolation
C9	.05	400	39001-17	P488-05	DF-503	PTE4S5	4TM-S5	Rect. Plate Byp.

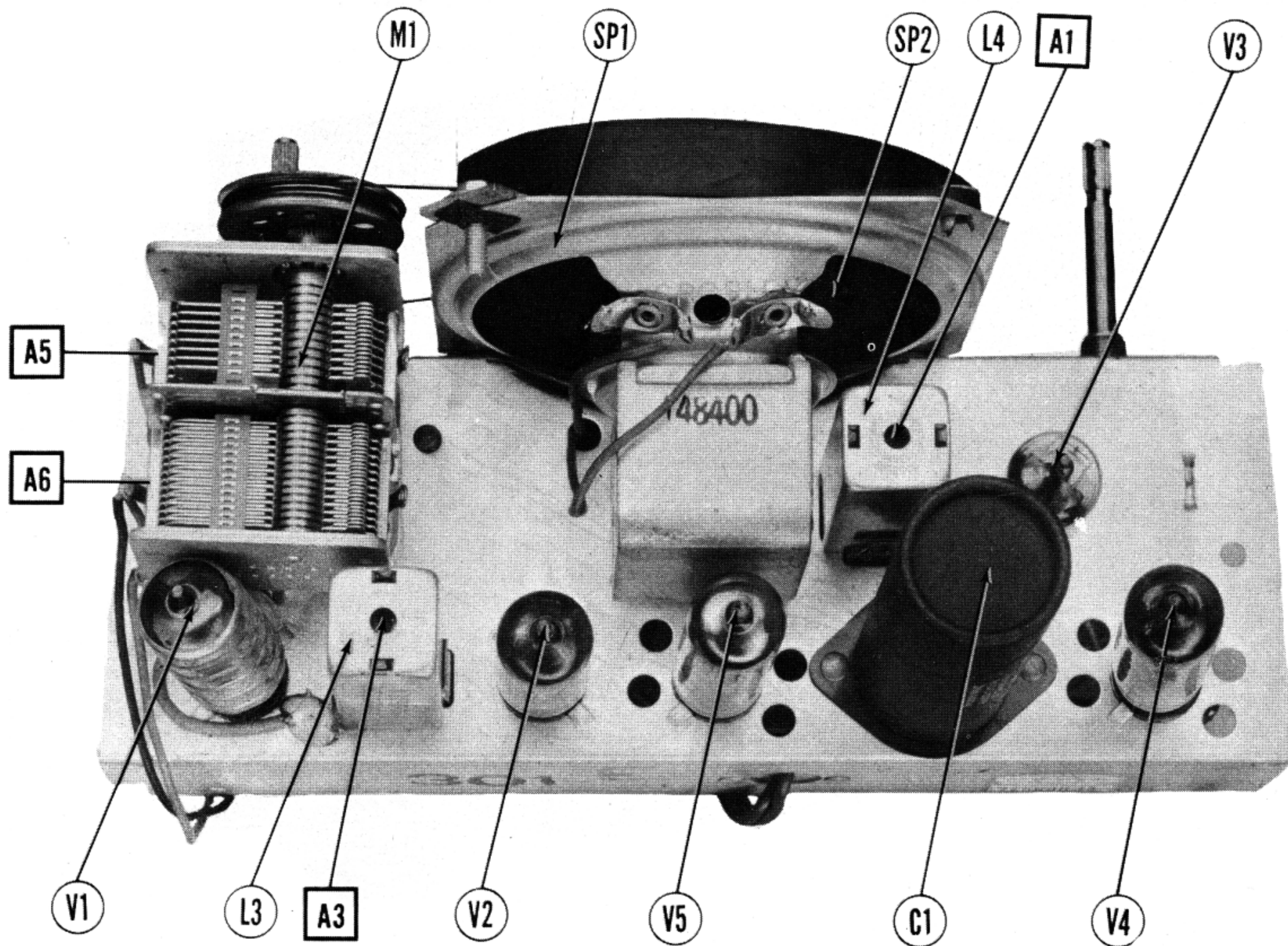
CONTROLS

ITEM No.	RATING RESISTANCE	WATTS	REPLACEMENT DATA			INSTALLATION NOTES
			CROSLLEY PART No.	IRC PART No.	CENTRALAB PART No.	
R1	3Meg	$\frac{1}{2}$	B-148327			Volume Control And SW - Tapped @ 300K Ω

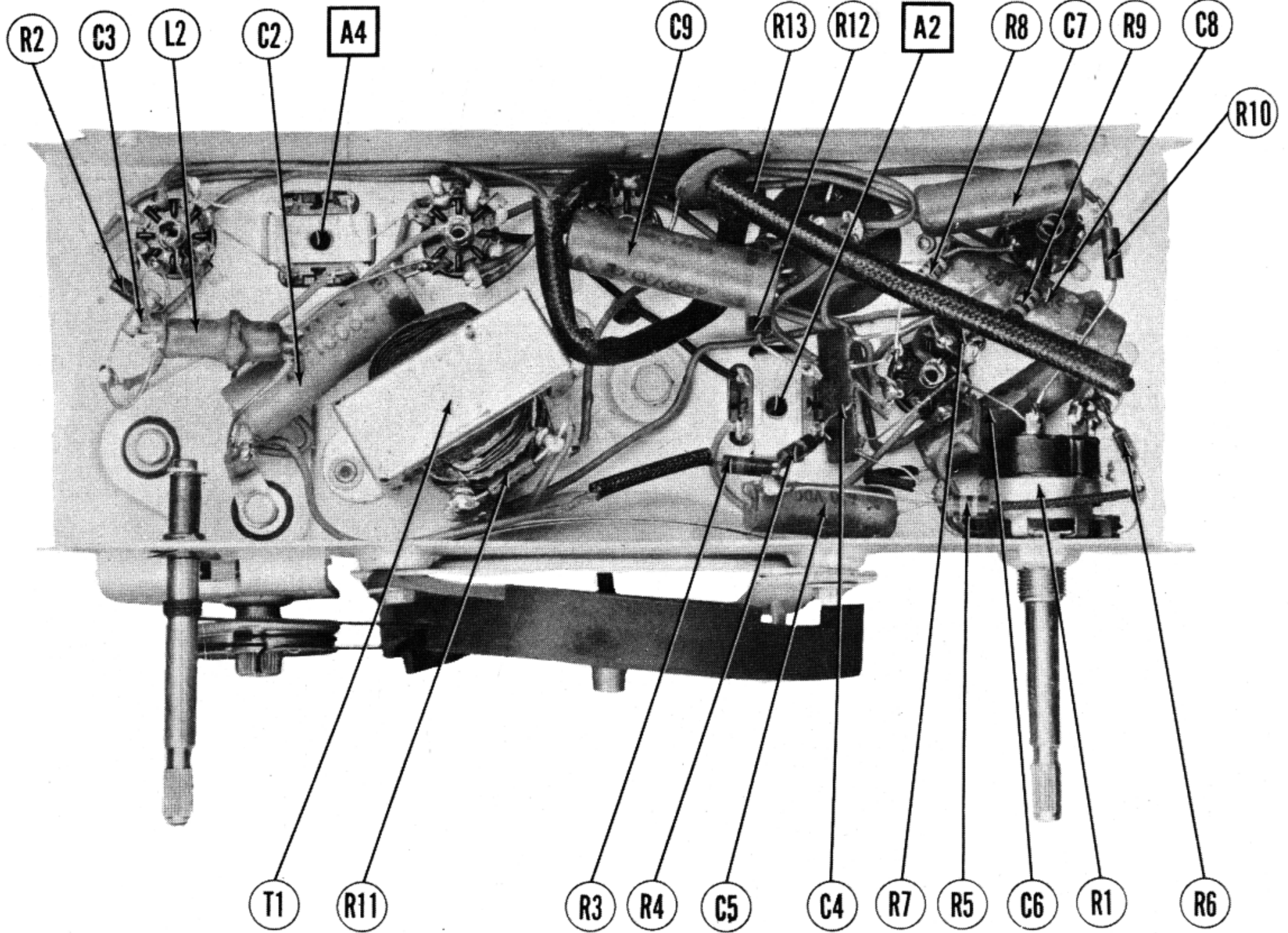
RESISTORS

ITEM No.	RATING RESISTANCE	WATTS	REPLACEMENT DATA			IDENTIFICATION CODES
			CROSLLEY PART No.	IRC PART No.		
R2	22K Ω		39373-60			Osc. Grid
R3	2.2Meg		39373-97	BTS-2.2Meg		AVC Network
R4	100K Ω		39373-74	BTS-100K		AVC Network
R5	680K Ω		39373-90	BTS-680K		Tone Compensation
R6	47K Ω		39373-67	BTS-47K		Tone Compensation
R7	10Meg		39373-107	BTS-10Meg		AF Amp. Grid
R8	470K Ω		39373-87	BTS-470K		AF Amp. Plate
R9	470K Ω		39373-87	BTS-470K		Output Grid
R10	150 Ω		39373-16	BTS-150		Output Cathode
R11	10 Ω	1	39373-1	BW- $\frac{1}{2}$ -10		Voice Coil Shunt
R12	1200 Ω	1	39374-114	BTA-1200		Filter
R13	47 Ω	1	39374-97			Surge Limiter

CHASSIS—TOP VIEW



CHASSIS—BOTTOM VIEW



PARTS LIST AND DESCRIPTIONS (Continued)

TRANSFORMER (AUDIO OUTPUT)

ITEM No.	RATING				REPLACEMENT DATA			INSTALLATION NOTES	
	IMPEDANCE		DC RES.		CROSLEY PART No.	STANCOR PART No.	MERIT PART No.		CHICAGO PART No.
	PRI.	SEC.	PRI.	SEC.					
T1	2.6KΩ	4.5Ω	365Ω	.6Ω	138131-1	A-3876	A-3025①	R0-302①	① New mounting hole.

SPEAKER

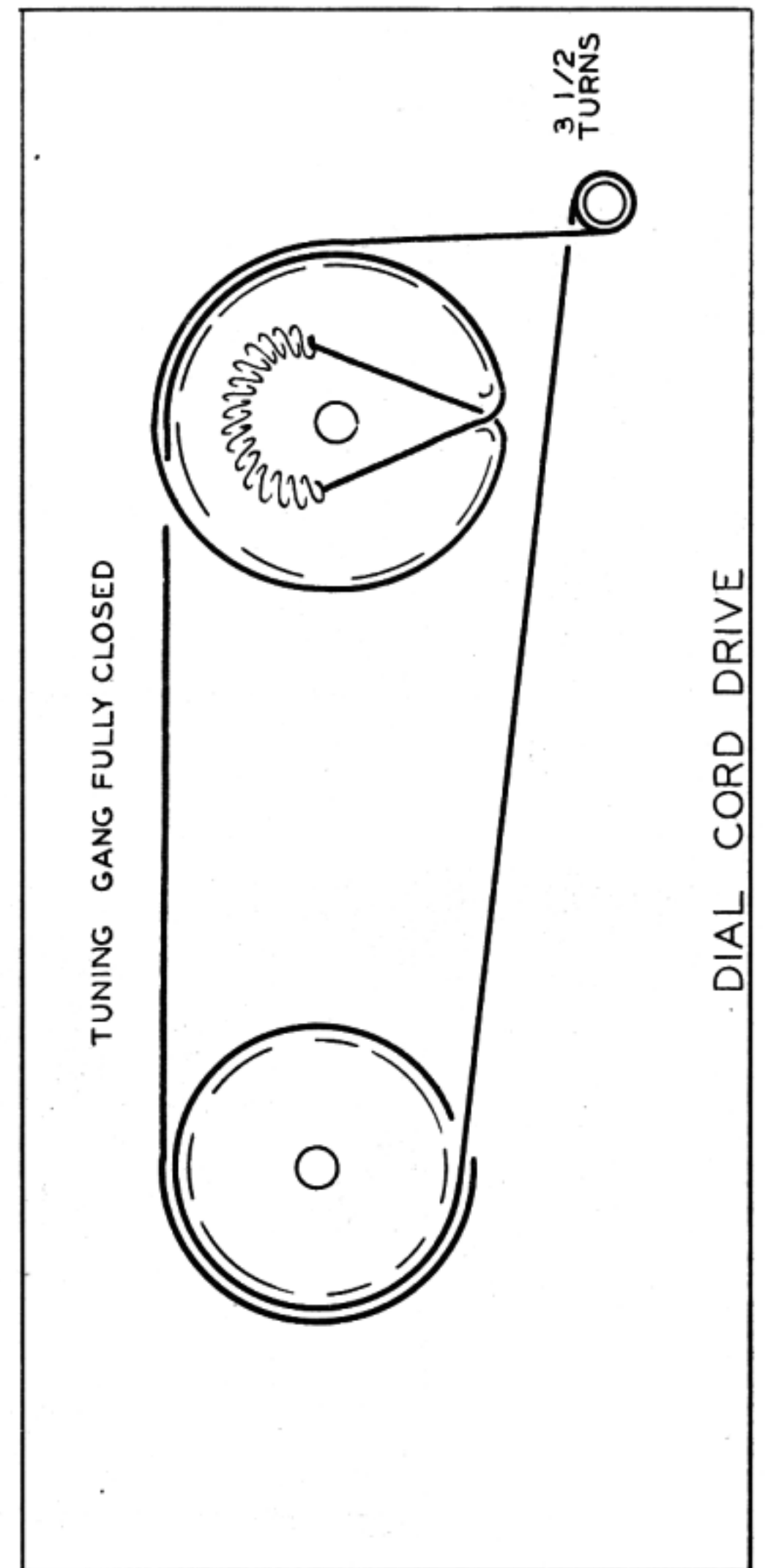
ITEM No.	RATINGS	REPLACEMENT DATA			INSTALLATION NOTES
		CROSLEY PART No.	JENSEN PART No.	QUAM PART No.	
SP1	FIELD PM CONE DIA. 4"	AD-148400	ST-113 Mod. P4-X	4A1	
SP2	V. C. IMP. 4.5Ω V. C. DIA 9/16"				

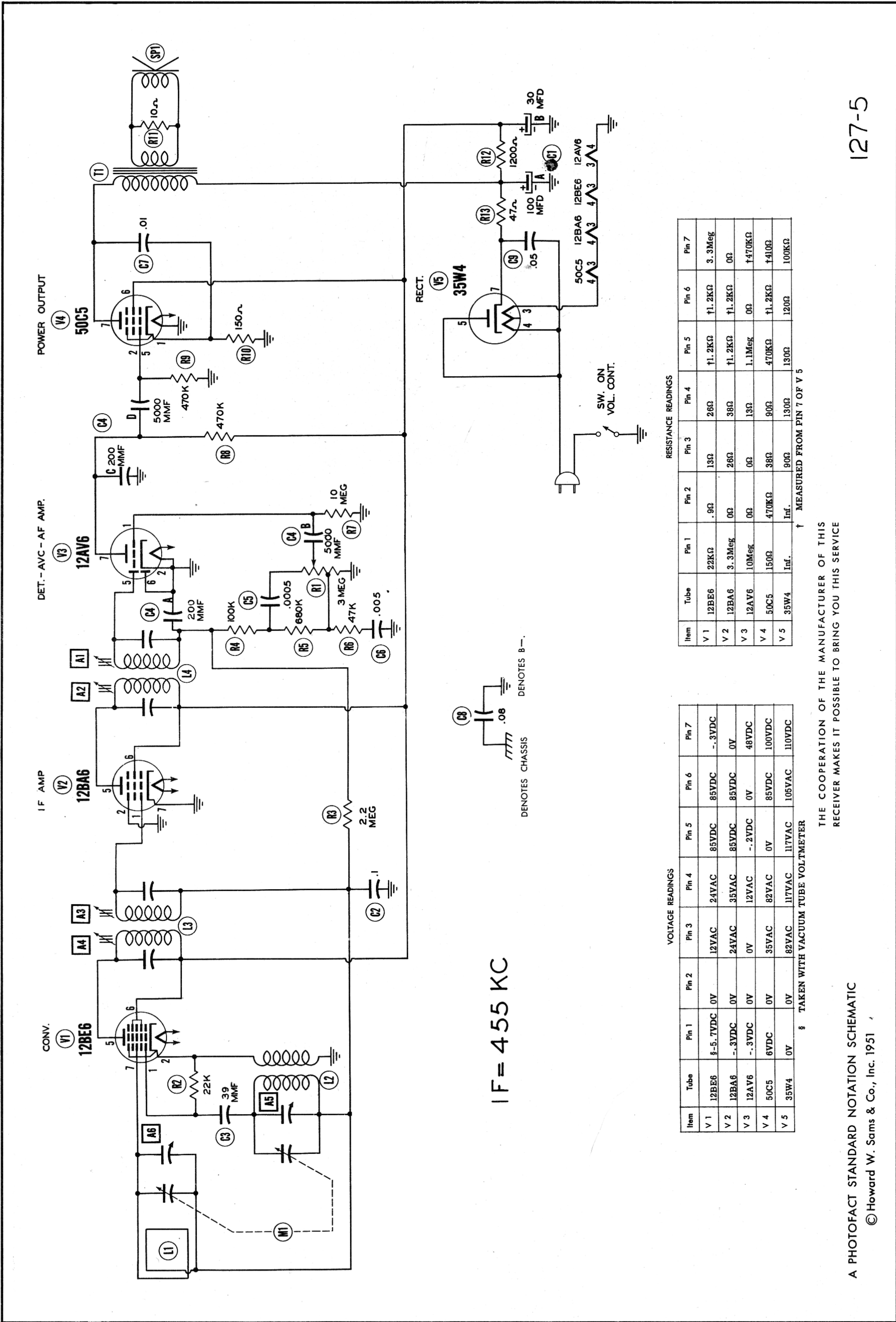
R F COILS

ITEM No.	USE	DC RES.		REPLACEMENT DATA		NOTES
		PRI.	SEC.	CROSLEY PART No.	MEISSNER PART No.	
L1	Loop Antenna	3Ω	.9Ω	C-148399		Includes Cabinet Back
L2	Osc. Coil	20Ω	19Ω	AW-148259		
L3	1st IF	20Ω	19Ω	C-139919-5		
L4	2nd IF	20Ω	19Ω	C-139919-5		

MISCELLANEOUS

ITEM No.	PART NAME	CROSLEY PART No.	NOTES
M1	2 Gang Var. Cap. Dial Pointer Cabinet Cabinet Cabinet Cabinet Cabinet Cabinet	B-148350 B-148320 AB-148465-1 AB-148465-2 AB-148465-3 AB-148465-4 R-148273-3 AB-148465-6	(27-462MMF, 18-124MMF) Model 11-100U Model 11-101U Model 11-102U Model 11-103U Model 11-104U Model 11-105U





A PHOTOFAC STANDARD NOTATION SCHEMATIC
© Howard W. Sams & Co., Inc. 1951

THE COOPERATION OF THE MANUFACTURER OF THIS RECEIVER MAKES IT POSSIBLE TO BRING YOU THIS SERVICE

1. DC Voltage measurements are at 20,000 ohms per volt; AC Voltages measured at 1,000 ohms per volt.
2. Socket connections are shown as bottom views.
3. Measured values are from socket pin to common negative.
4. Line voltage maintained at 117 volts for voltage readings.
5. Nominal tolerance on component values makes possible a variation of ± 10% in voltage and resistance readings.
6. Volume control at maximum, no signal applied for voltage measurements.