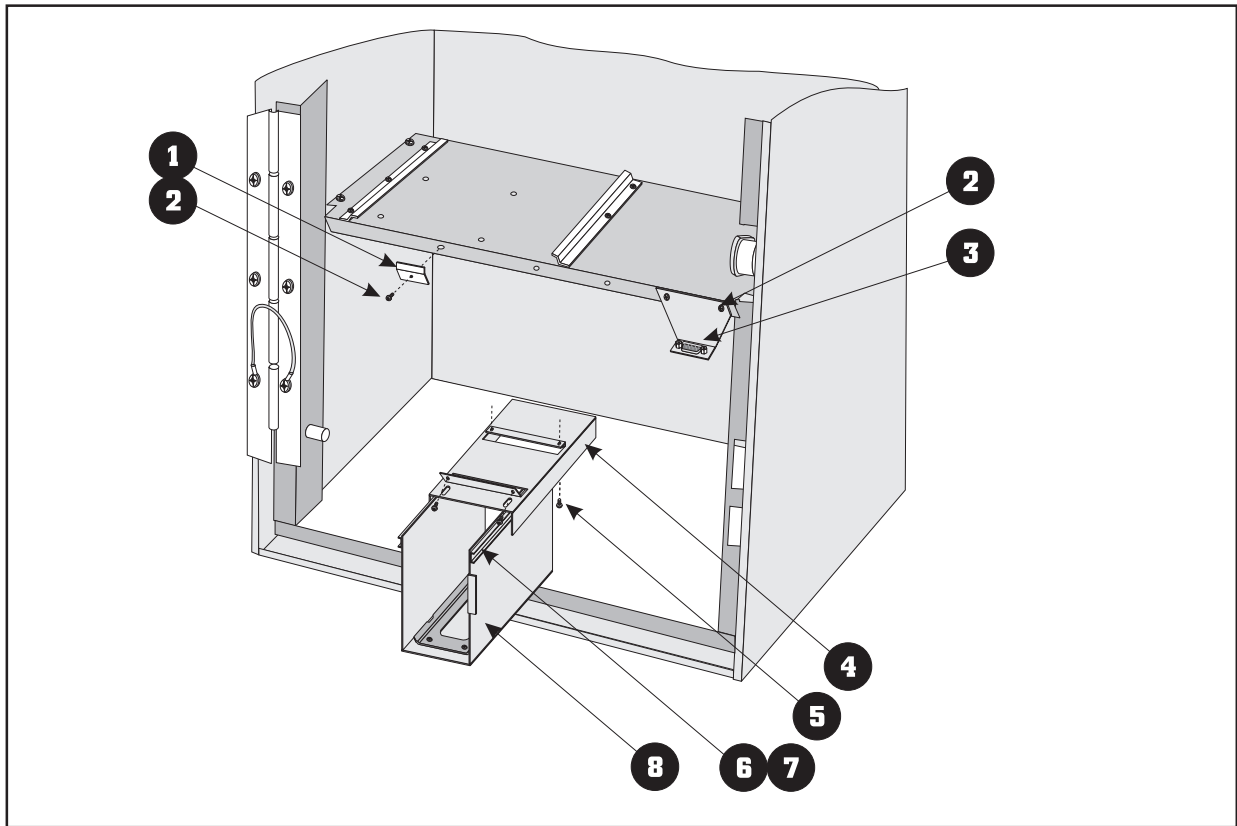
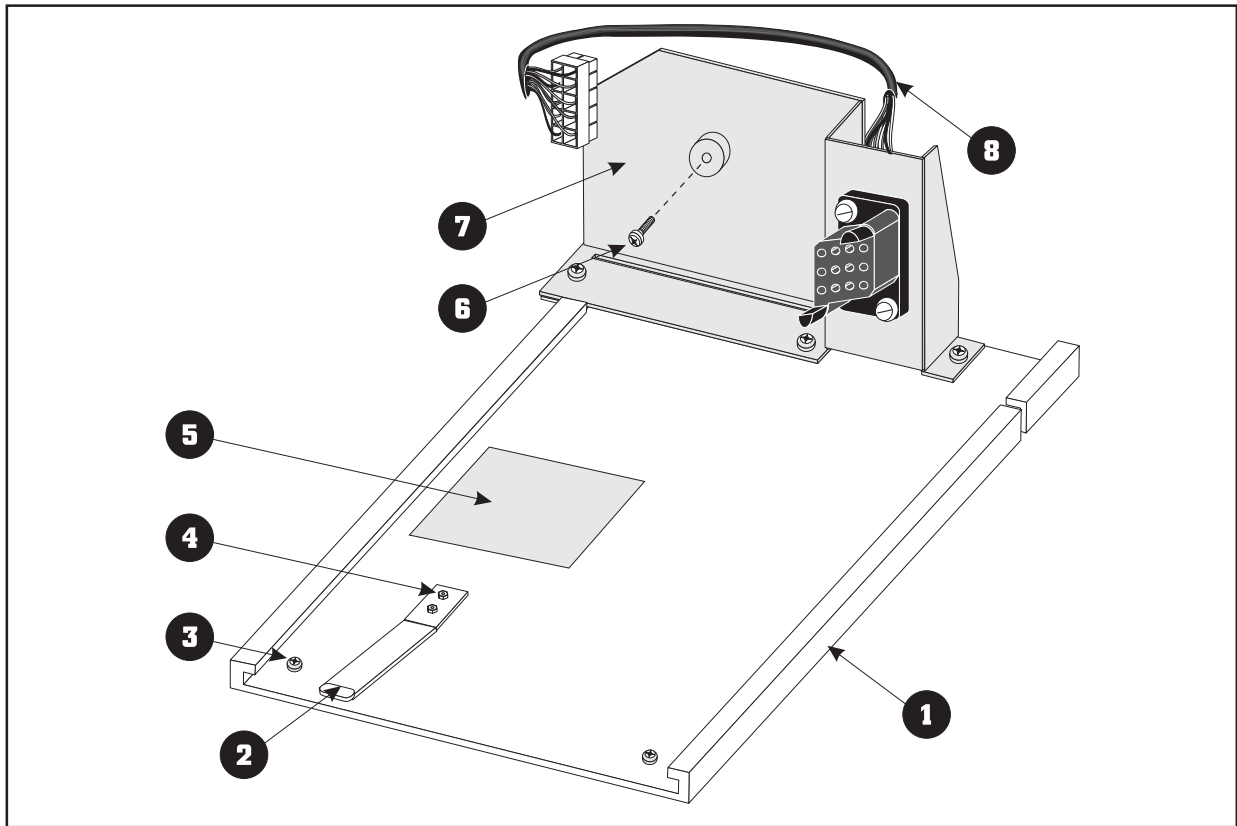


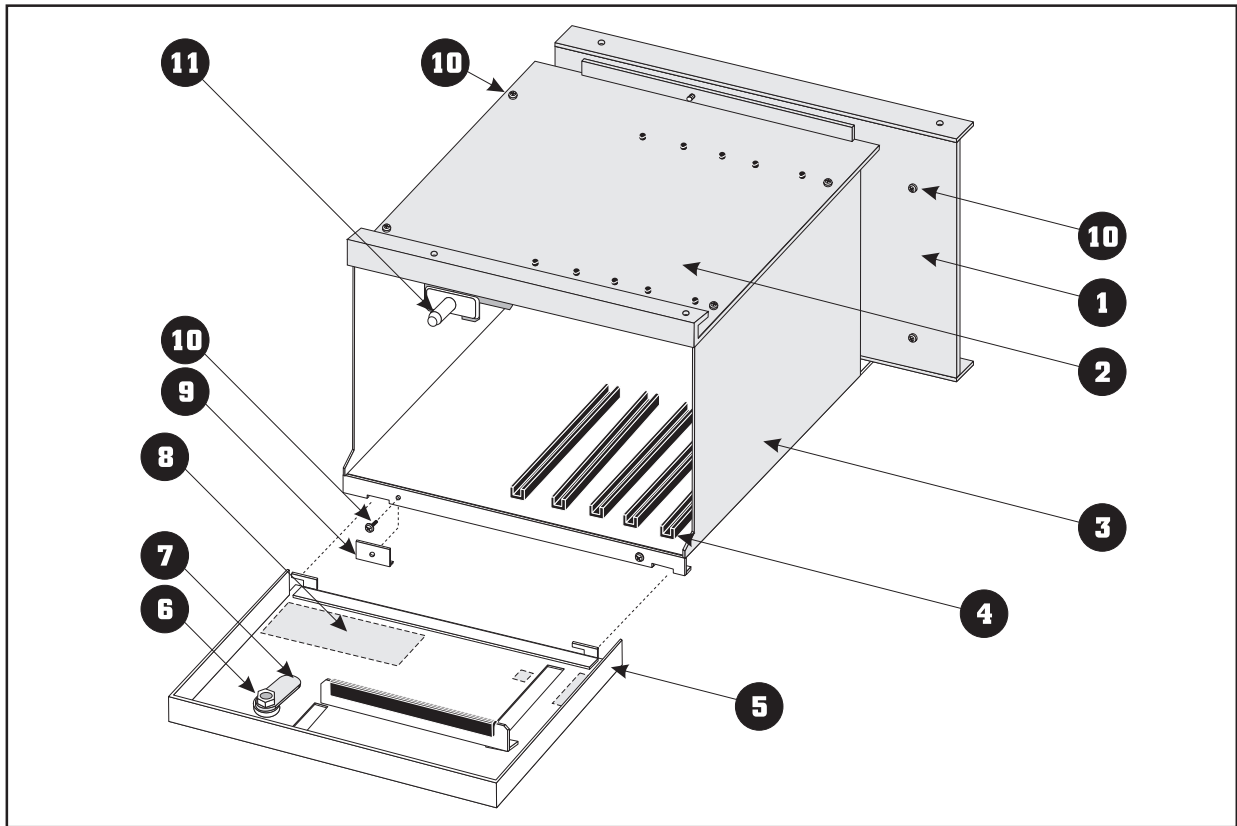
POS	SAP-No	Nomenclature
1	65005176	Housing, Lower Video Black WBC #01
2	65002097	Elevator, Bush
3	65002436	Elevator, Spindle and Bracket #03
4	65007537	Screw, M4x8 DIN7500/965
5	65002531	Cover Plate 2 #01 Handle Black
6	65001374	Nut M4 SKT BN 1365 Combi
7	65003866	Baseboard Video #02 WBC
8	65004788	Channel, Drop Chute #03
9	65001350	Screw, Wood 4.5x16 HR Phillips BN615
10	65001347	Screw, Sht Metal 3.5x6.5 DIN7981F Philips
11	65010013	Coin Bowl Assy. Chrom #08
	65010045	Coin Bowl Assy. BlTw #08
12	65002854	Pressure Switch, Door
13	65003141	Bracket, Pressure Switch, Door
14	65001348	Screw, Metal 4.2x9.5 DIN7981F
15	65010634	Base Plate Assy. WBC #05
16	65005901	Nameplate 115/230V "ATRONIC"
17	65003882	Rivet 3.0x6.0 Steel DIN7337
18	65003018	Switch Lock R2001 WBC
19	65003181	Switch Lock R2002 WBC
20	65003380	Index Plate (Audit/Jackpot)
21	65003569	Loom, Counter, Key/Door Switch
22	65003271	Meterglass with Mirror Foil
23	65003478	Mech Meter (only)
24	65003272	Meter Bracket



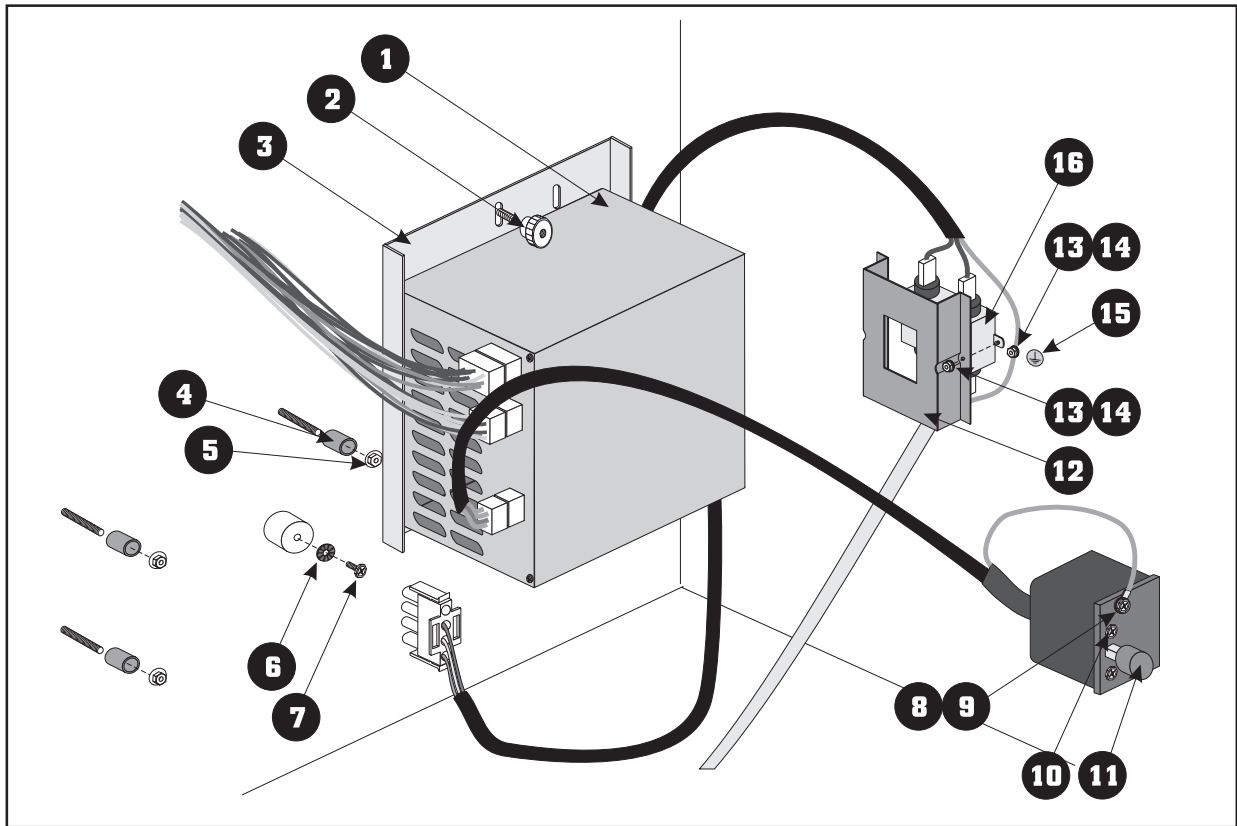
POS	SAP-No	Nomenclature
	1	65011020 Monitor Securing Plate
	2	65001347 Screw, Sht Metal 3.5x6.5 DIN7981F Philips
	3	65010631 Touch Connector Bracket
	4	65010507 Hopper Mounting Device Above WBC-CL
	5	6500 Screw
	6	65010574 Telescopic Chassis
	7	65001408 Rivet 4x6 mm DIN 7337 A
	8	65010508 Hopper Mounting Device Below WBC-CL
w/o pic	65010840	17" Monitor Kortek 0,28dp ab Touch North. Hemisph.
w/o pic	65010841	17" Monitor Kortek 0,28dp ab Touch South. Hemisph.
w/o pic	65010843	17" Monitor Ceronix 0,39dp Touch North. Hemisph.
w/o pic	65010844	17" Monitor Ceronix 0,39dp Touch South. Hemisph.
w/o pic	65010608	17" MicroTouchScreen CLRTEK TS CRV NLT
w/o pic	65010614	MicroTouchController Rev. 2.1 DMNY



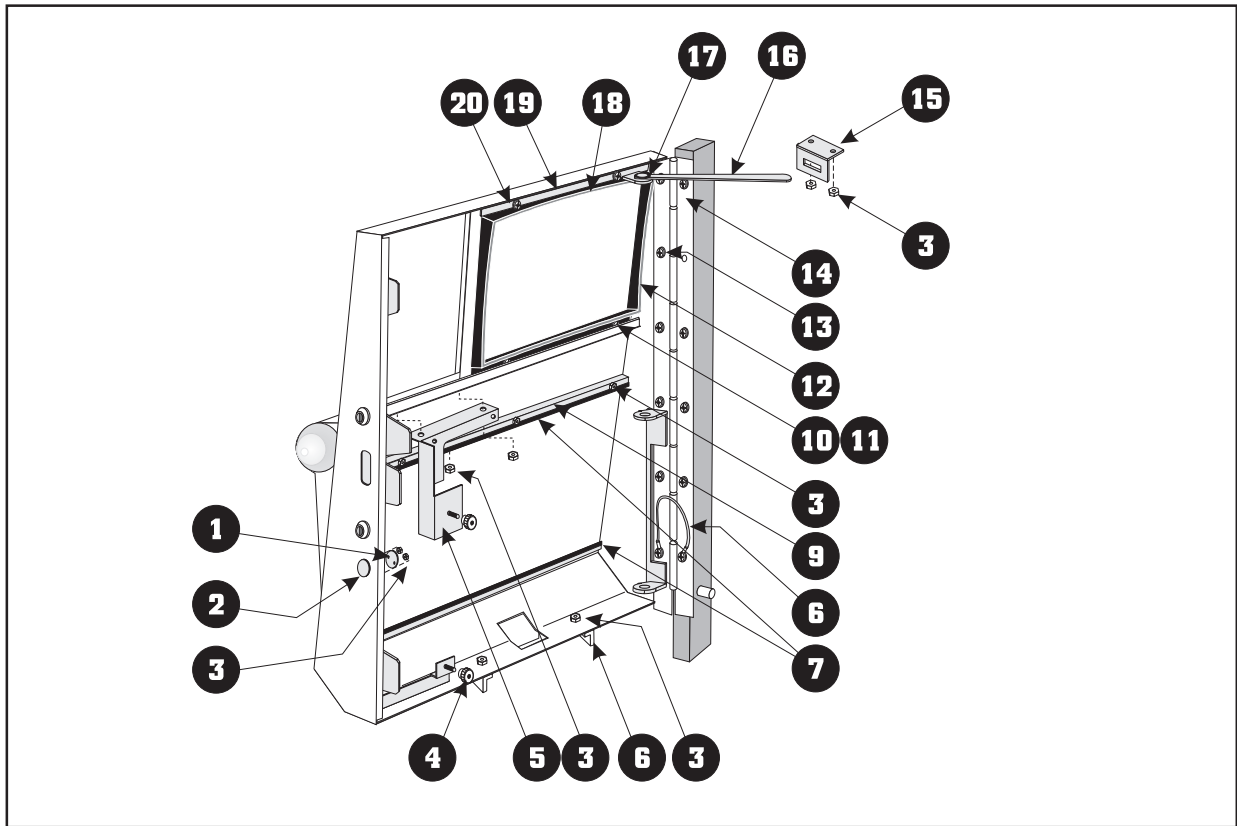
POS	SAP-No	Nomenclature
1	65003783	Hopper Support Guide #01
2	65004539	Hopper, Securing Spring w/Bolt #01
3	65001350	Screw, Wood 4.5x16 HR Phillips BN615
4	65001371	Nut, M4 SKT BN1365 Combi
5	65007653	Label HOPPER-ATTENTION UL #01
6	65001361	Screw, M4x12 Phillips BN4825 Eco-Fix 4.8
7	65002325	Plate, Hopper Board Mounting #01 WBC
8	65004679	Harness DH-Suzo 24V w/AMP Connector



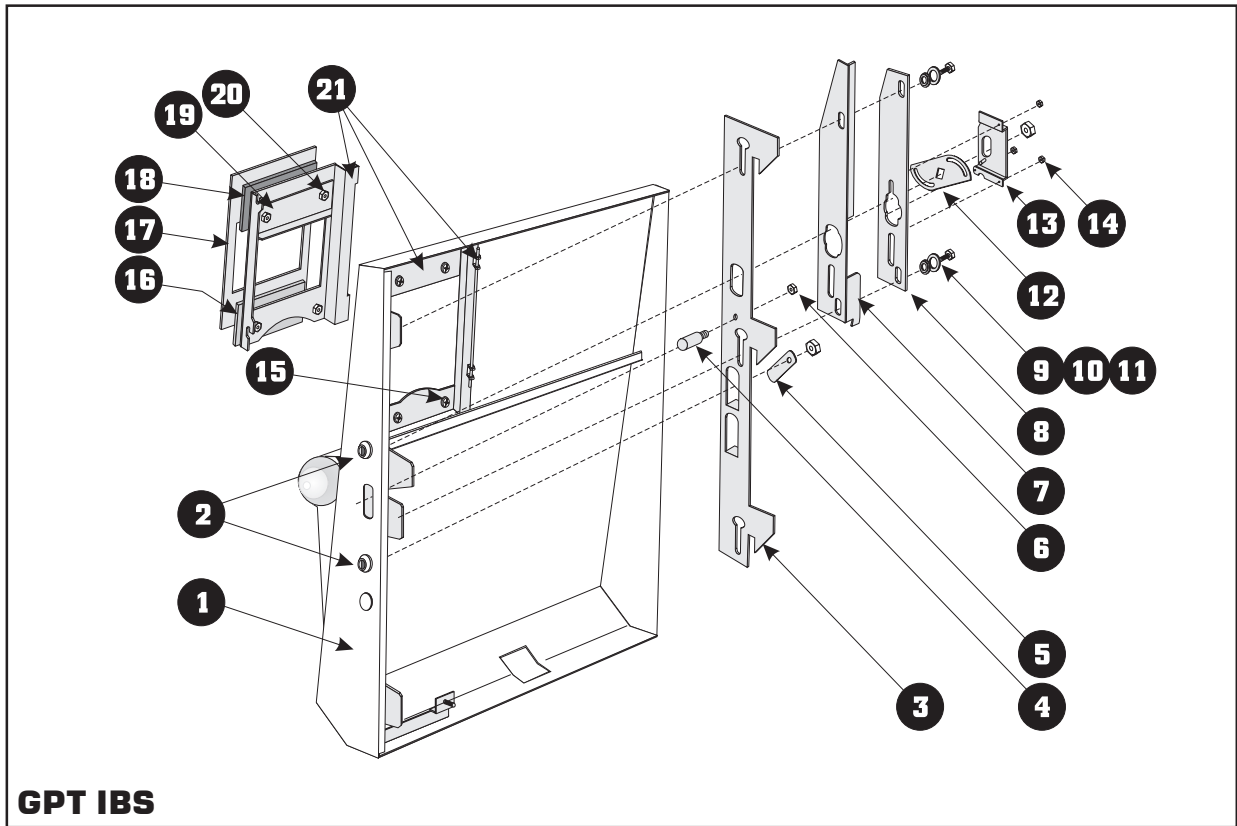
POS	SAP-No	Nomenclature
1	65001993	Logic Box, Rear Wall WBC #01
2	65001994	Logic Box, Cover WBC
3	65003891	Logic Box, WBC #01 (CE)
4	65001050	Logic Box, Guide Rail
5	65003892	Logic Box, Door #04 WBC (CE)
6	65003017	Lock Cyl. 5/8" R1005 WBC
7	65002332	Logic Door, Cam 2 WBC Video
8	65006660	Label Set, "Warning" UL/CSA WBC
9	65002173	Logic Box, Door Bracket WBC
10	65001347	Screw, Sht Metal 3.5x6.5 DIN7981F Phillips
11	65002854	Pressure Switch Logic Door UF68-00A (optional)



POS	SAP-No	Nomenclature
1	65501117	Power Supply PS2 24V 220 or 110V
2	65002161	Screw Nut Female Knurled M4
3	65005729	Power Supply Bracket RSA, CL '02
4	65002370	Sleeve, Distancing 4.3x8x15 BN 5281 FA 6.6
5	65001371	Nut M4 SKT BN1365 Combi
6	65002371	Lock Washer 4.2x15x0.8 BN 783 Type DD
7	65001361	Screw, M4x12 Phillips BN4825 Eco-Fix 4.8
8	65001347	Screw, Sht Metal 3.5X6.5 DIN7981F Phillips
9	65001381	Washer, M4, Lock DIN6798A (BN 781)
10	65001359	Screw M3x6 Phillips BN4825 Eco Fix
11	65001407	Cap, Power Switch Red 115-0051-550
12	65010980	Filter Cover
13	65001369	Nut M3 SKT DIN934 ZN-Blue
14	65003747	Washer, Lock M3 Fan DIN6798A
15	65001427	Label, Pgcd D= 12.5 Yell (1125ST.)
16	65003070	Line Filter

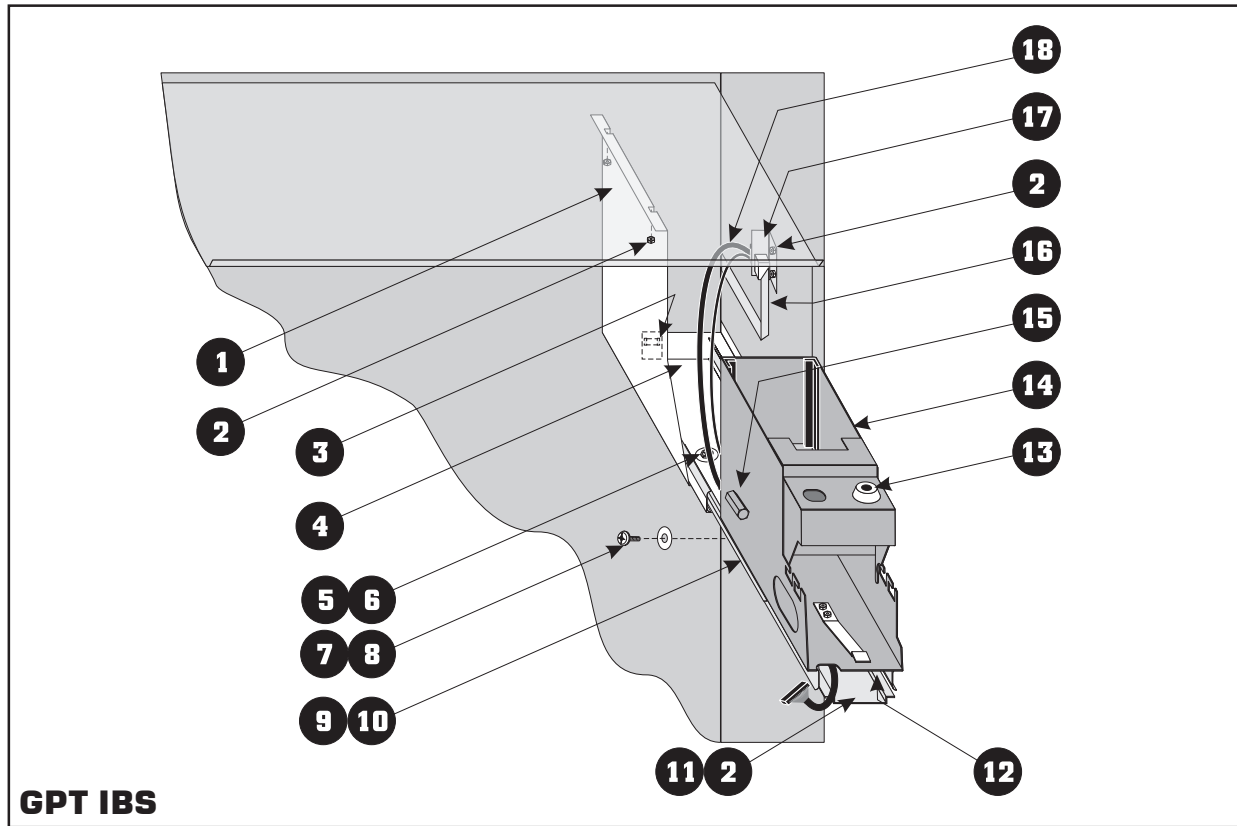


POS	SAP-No	Nomenclature
1	65002419	Disc/Blind #01
2	65002420	Blind/Lock Cover Chrome
3	65001371	Nut M4 SKT BN1365 Combi
4	65002161	Screw-Nut Female Knurled- M4
5	65003685	Mounting Bracket Coin Entry
6	65002152	Payout Aperture Chrome
7	65008772	Foam Cushion 9x3 (metre)
8	65002616	Earthing Strap (Ground Connection)
9	65003363	Bracket, Belly Glass, Video
10	65001345	Screw, Metal 3.5x9.5 DIN7981 Phillips
11	65001750	Washer M4 DIN125 Zinc-Blue
12	65011027	Monitor Cover CL WBC #03
13	65001348	Screw, Metal 4.2x9.5 DIN7981F
14	65002102	Hinge, Video #01
15	65006498	Bracket (Restraining Arm) WBC #01
16	65006499	Restraining Arm-Main Door WBC
17	65001753	Circlip (4 DIN6799 BR)
18	65011080	Foam Cushion 10x5 (metre)
19	65005162	Center Bracket-Video Glass #02
20	65003131	Screw, Metal 4.3x16 DIN7981F



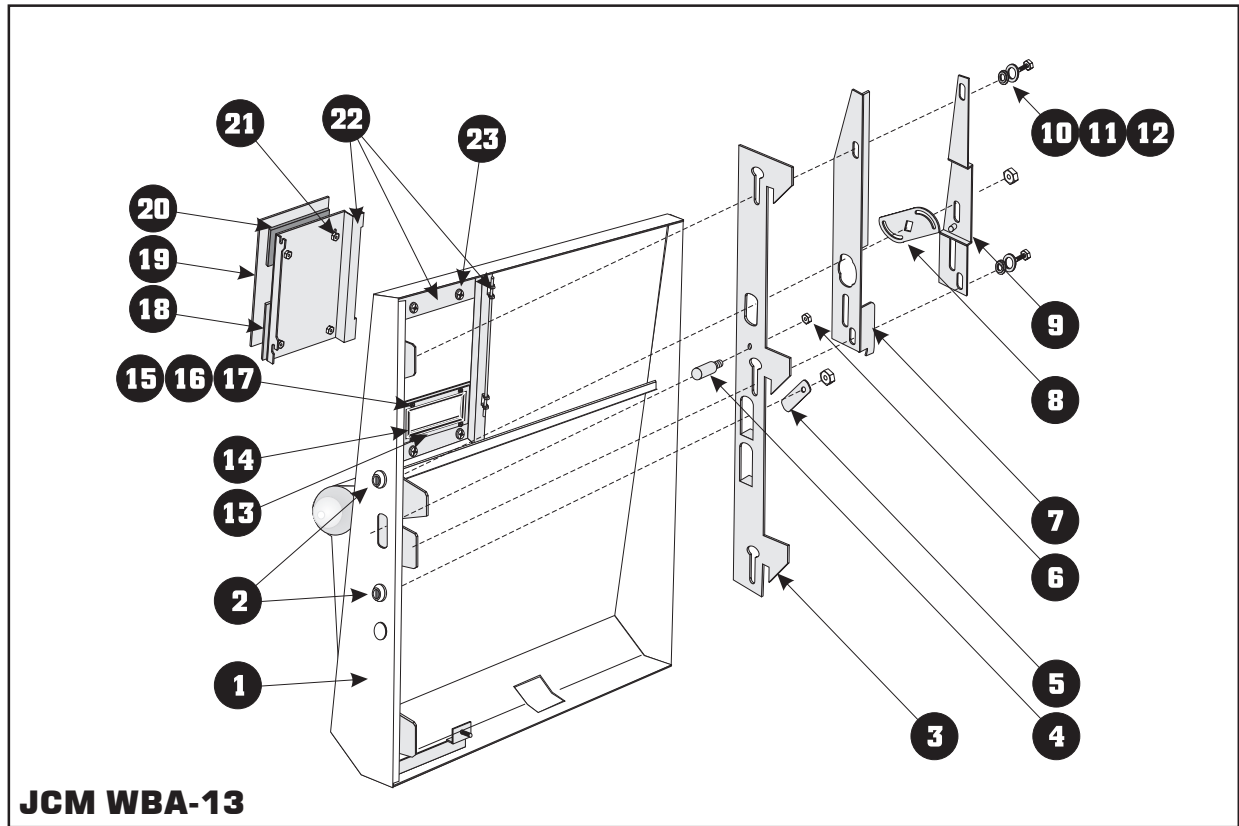
**GPT IBS**

POS	SAP-No	Nomenclature
1	65005168	Main Door w/Pult Video chrome #06
	65011142	Main Door w/Pult Video BITw #06
2	65003017	Lock Cyl. 5/8" R1005 WBC
3	65003661	Locking Mechanism #03
4	65002117	Lever Main Door Latch Bar
5	65002116	Cam Main Door Lock WBC (35mm)
6	65002857	Nut M5 DIN985 Self-Lock-Zinc
7	65005165	IBS Acc Locking Mechanism T1 #01
8	65005166	IBS Acc Locking Mechanism T2 #02
9	65007651	Screw, M4x16 Phillips BN4825 Eco-Fix 4.8
10	65007652	Washer, 4x15x1.5
11	65006591	Spacer ring #01
12	65005161	IBS Acc Cam-Locking Mechanism
13	65005167	IBS Acc Locking Mechanism T3 #02
14	65001370	Nut M3 SKT DIN985
15	65001348	Screw Metal 4.2x9.5 DIN7981F
16	65005482	Acc Panel Lower IBS (Glass-DG)
17	65005172	IBS Validator Face Plate chrom WBC #01
	65011151	IBS Validator Face Plate BITw WBC #01
18	65005483	Acc Panel Upper IBS WIAC (Red)
19	65006676	Acc Supporting Angle IBS WBC
20	65001371	Nut M4 SKT BN1365 Combi
21	65008459	IBS Acc. Frame + Bracket + Axle chrom WBC #02
	65011144	IBS Acc. Frame + Bracket + Axle BITw WBC #02



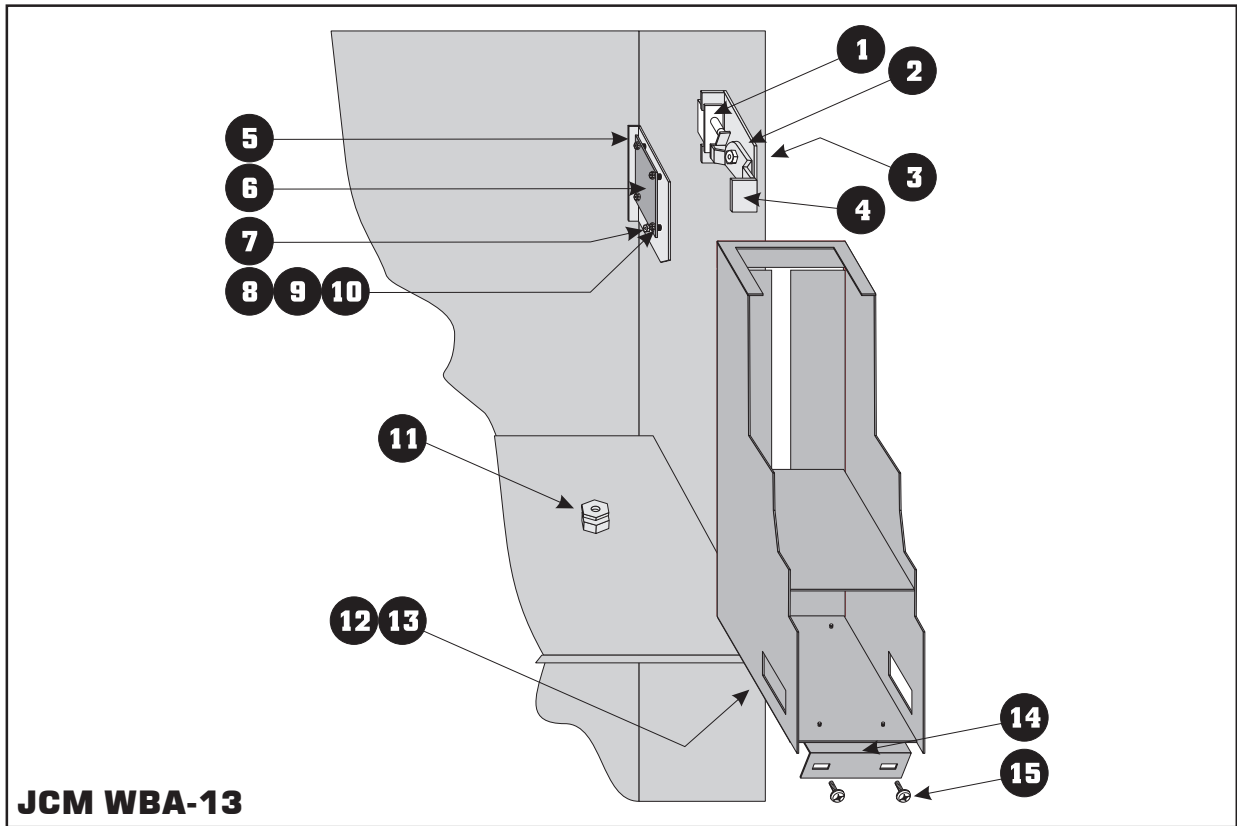
POS	SAP-No	Nomenclature
1	65005160	IBS Validator Housing Video
2	65001371	Nut M4 SKT BN1365 Combi
3	65005647	Springshackle
4	65005169	IBS Validator Guide Plate
5	65001348	Screw, Metal 4.2x9.5 DIN 7981 F
6	65002371	Washer 4.2x15x0.8 BN 783 Type DD
7	65007537	Screw M4x8 DIN7500/965
8	65003147	Washer M4 DIN9021 VZ
9	65002577	Telescopic Chassis
10	65001408	Rivet 4x6mm DIN7337 A
11	65005170	Harness Duct (IBS)
12	65005177	IBS Acc. Mounting Bracket
13	65006651	Lock Cyl. "Bi-Lock" FA32279QCP Housing
14	65005658	IBS Encl-07 STD/CAN
15	65005646	Nipple M4
16	65005214	Cable, Ribbon, Backplane-IBS
17	65006652	IBS Connector Bracket
18	65005093	Cable IBS





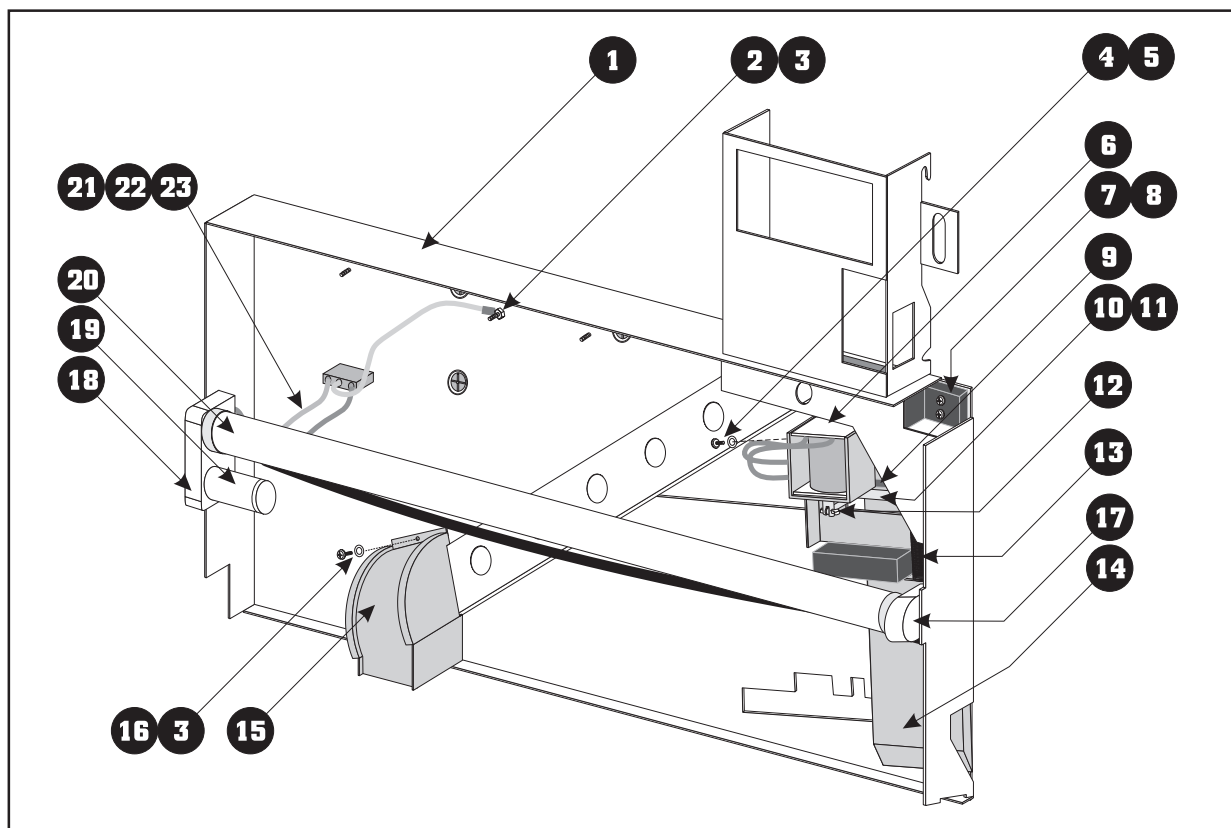
**JCM WBA-13**

POS	SAP-No	Nomenclature
1	65005168	Main Door w/Pult Video chrome #06
	65011142	Main Door w/Pult Video BITw #06
2	65003017	Lock Cyl. 5/8" R1005 WBC
3	65003661	Locking Mechanism #03
4	65002117	Lever Main Door Latch Bar
5	65002116	Cam Main Door Lock WBC (35mm)
6	65002857	Nut M5 DIN985 Self-Lock-Zinc
7	65007460	Acc Door Locking Mechanism T1 JCM
8	65005161	Cam Acc IBS
9	65007462	Acc Door Locking Mechanism T2 JCM
10	65007651	Screw, M4x16 Phillips BN4825 Eco-Fix 4.8
11	65007652	Washer, 4x15x1.5
12	65006591	Spacer ring #01
13	65007455	JCM Frame Bezel Push Plate
14	65007456	JCM Frame Bezel Plastic
15	65007457	Distance Sleeve
16	65001381	Lock Washer M4 DIN 6798A
17	65003686	Nut M4 DIN1587
18	65007458	Acceptor Panel, Lower, JCM (Clear)
19	65007464	JCM Validator Face Plate chrom WBC #01
	65011152	JCM Validator Face Plate BITw WBC #01
20	65007459	Acceptor Panel, Upper, JCM (Red)
21	65001371	Nut M4 SKT BN1365 Combi
22	65007479	JCM Acc. Frame + Bracket + Axle chrom WBC #02
	65011150	JCM Acc. Frame + Bracket + Axle BITw WBC #02
23	65001348	Screw, Metal 4.2x9.5 DIN7981F

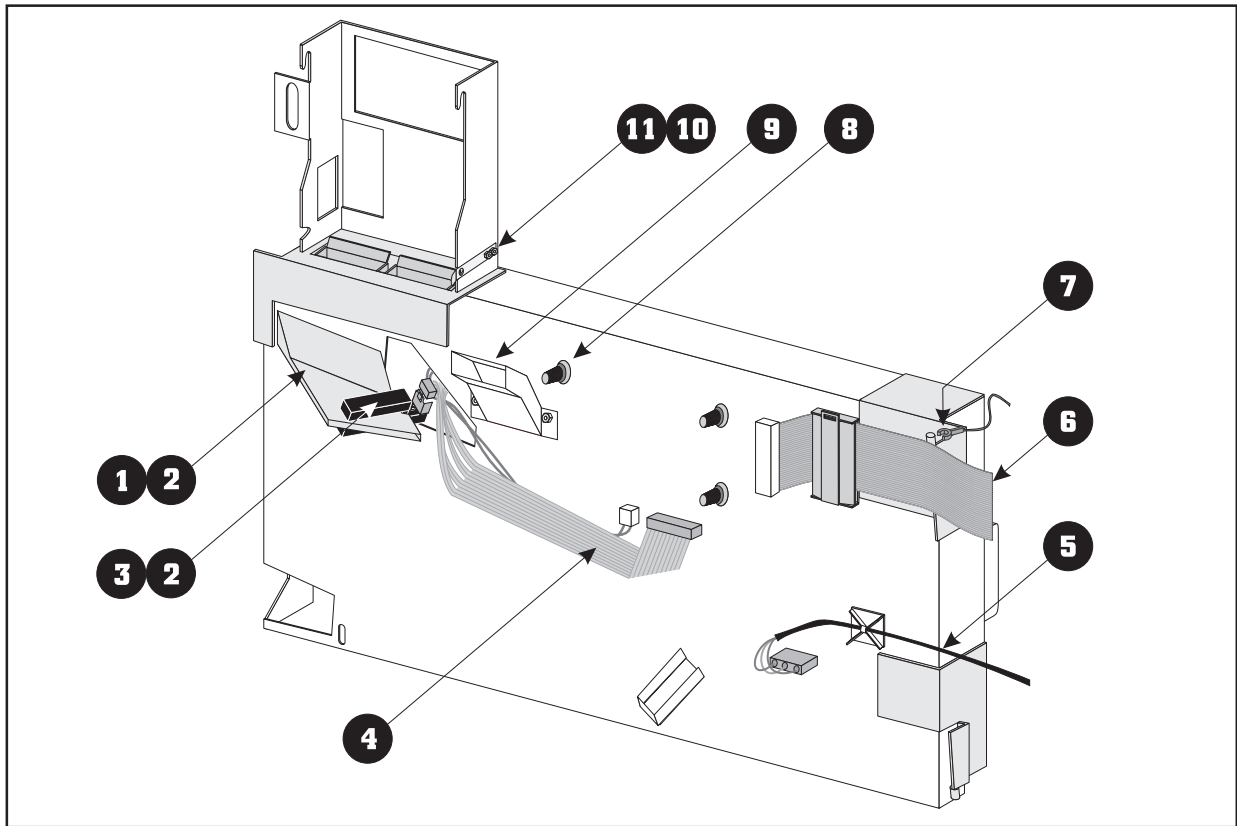


**JCM WBA-13**

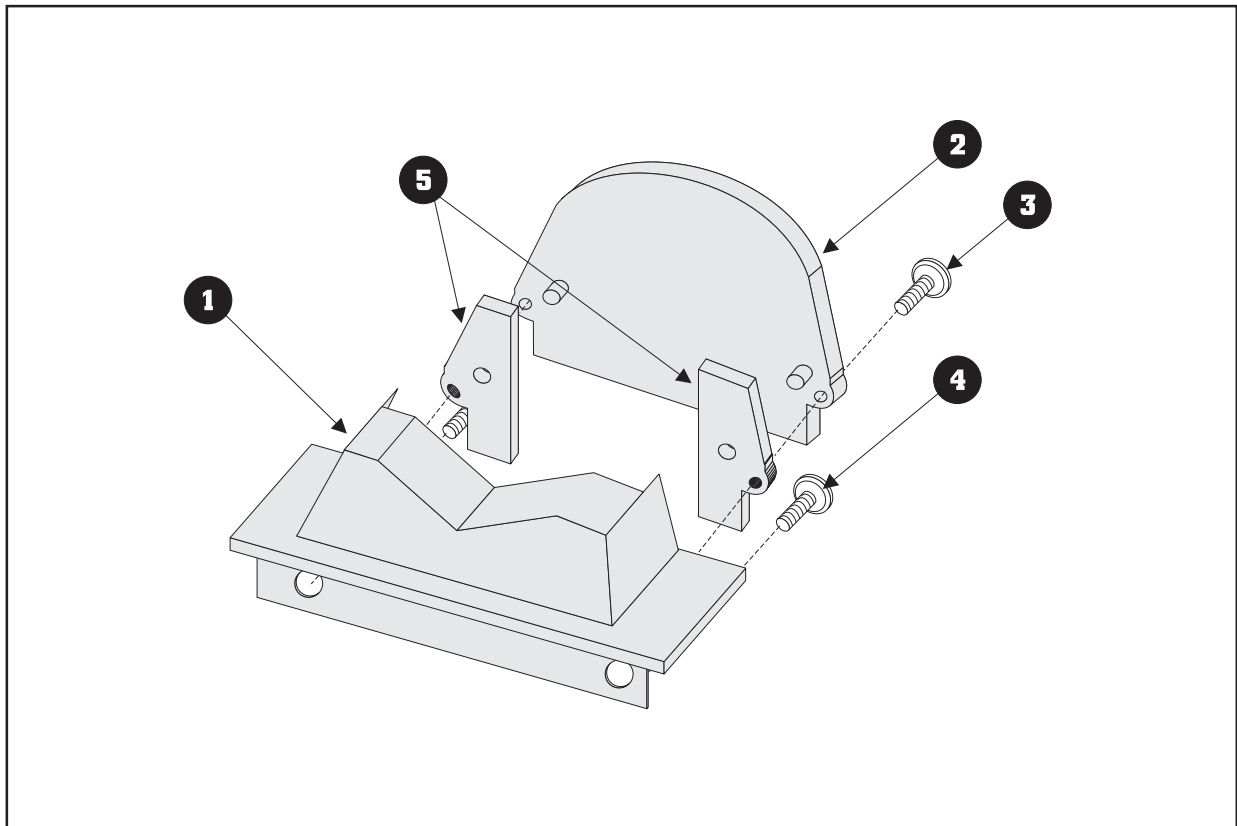
POS	SAP-No	Nomenclature
1	65002854	Pressure Switch UF69-30A
2	65007593	JCM Switch Bracket
3	65003017	Lock Cyl 5/8" R1005 WBC
4	65007594	JCM Cam #01
5	65007564	JCM Adapter Bracket
6	65006074	JCM Adapter Board
7	65001371	Nut M4 BN1365
8	65001370	Nut M3 SKT DIN895
9	65003747	Lockwasher M3 Self Locking
10	65005397	Distance Sleeve
11	65007445	Centred Bolt
12	65003215	Screw, Setal, M4x6DIN7985A Philips
13	65001381	Lock Washer DIN6798
14	65007444	JCM Bracket NR
15	65001348	Screw 4.2x9.5 DIN7981F



POS	SAP-No	Nomenclature
1	65010501	Coin Tracking, Carrier Assy (1Coil) - WBC-CL
2	65001371	Nut M4 SKT BN1365 Combi
3	65001381	Lockwasher M4 DIN6798A (BN781)
4	65004414	Screw, Machine M3x6 Phillips DIN7985
5	65003747	Lockwasher M3 Fan DIN6798A
6	65007712	Solenoid GS12V 100% with Cable + Diode
7	65003814	Opto-Device #04
8	65001343	Screw, Metal 3.5x13 DIN7981 LKZN-Blue
9	65002138	Diverter Paddle
10	65002478	Axle #01, Diverter Shaft
11	65002474	Circlip d1=1,9 DIN 6799 BN809
12	65004690	Splitpin 3.2x12 DIN94
13	65002140	Spring, Diverter Return
14	65004789	Coin Track Drop #04
15	65002145	Chute Assembly
16	65004279	Screw M4x8 DIN7500/7985
17	65006643	Socket, Lamp 15W UL-approved
18	65006644	Socket, Starter and Lamp 15W UL-approved
19	65002191	Starter 4-22W S2
20	65002190	Lamp Fluoro TL-D 15W/84 438mm
21	65003997	Harness Door (no Ballast Coils)
22	65003998	Harness Door Starter>Lamp Assy #01
23	65006827	Tubing, Wire protection 5mm UL Approved



POS	SAP-No	Nomenclature
1	65003833	Hopper Chute Extended #03
2	65001343	Screw, Metal 3.5x13 DIN7981 LKZN-Blue
3	65003814	Opto-Device #04
4	65002051	Cable, Buttonboard/Opto-Device WBC
5	65004037	Harness, Coin-Tracking Light Assy.
6	65002055	Cable, Ribbon Backplane/Buttonboard
7	65002930	Ratchet Clip WBC (Plastic)
8	65001415	Twist Anchor 1/4 V936S11-3-1AA (MMB)
9	65010504	Pays Channel Out Welded, WBC-CL
10	65002858	Coin Validator Latch (Flat Spring)
11	65001370	Nut M3 SKT DIN985



POS	SAP-No	Nomenclature		
1	65003571	Coin Entry Housing Untreated		
2	65003572	Coin Entry Backplate		
3	65004500	Screw, Metal M4x10 DIN 965A Form H		
4	65001348	Screw, Metal 4.2x9.5 DIN7981F		
5	65003579	Coin Geometry - 19/1.6	65003610	Coin Geometry - 27/2.4
	65003580	Coin Geometry - 19/2.3	65003611	Coin Geometry - 27/3.2
	65003581	Coin Geometry - 20/1.6	65003612	Coin Geometry - 28/2.4
	65003582	Coin Geometry - 20/2.3	65003613	Coin Geometry - 28/3.1
	65003583	Coin Geometry - 21/2.0	65003614	Coin Geometry - 28/3.8
	65003584	Coin Geometry - 21/2.4	65003615	Coin Geometry - 29/2.4
	65006214	Coin Geometry - 21/3.2	65003616	Coin Geometry - 29/3.2
	65003585	Coin Geometry - 22/1.6	65003617	Coin Geometry - 30/2.4
	65003586	Coin Geometry - 22/2.4	65003618	Coin Geometry - 30/3.2
	65003587	Coin Geometry - 23/1.6	65003619	Coin Geometry - 31/2.5
	65003601	Coin Geometry - 23/2.4	65003620	Coin Geometry - 31/3.4
	65003602	Coin Geometry - 24/1.6	65003621	Coin Geometry - 32/3.2
	65003603	Coin Geometry - 24/2.3	65005084	Coin Geometry - 33/2.8
	65003604	Coin Geometry - 24/3.6	65003622	Coin Geometry - 33/3.2
	65003605	Coin Geometry - 25/2.4	65003623	Coin Geometry - 34/3.2
	65003606	Coin Geometry - 25/3.3	65003624	Coin Geometry - 35/3.6
	65003607	Coin Geometry - 26/1.6	65003625	Coin Geometry - 37/4.1
	65003608	Coin Geometry - 26/2.2	65003626	Coin Geometry - 38/3.6
	65003609	Coin Geometry - 26/3.2	65003627	Coin Geometry - 39/3.6
	65004748	Coin Geometry - 26/3.6	65003628	Coin Geometry - 40/4.1
	65003610	Coin Geometry - 27/2.4	65007451	Coin Geometry - \$5 US Token

## Buttons

Code	Dimensions	Lamps
Large Square CG	50.5x50.5mm	14v/190mA
Sub Miniature CP-SM	27x27mm	14v/73mA
Rectangular RCT	33.5x51mm	14v/190mA

All buttons use Cherry or Micro Switches,

CG = Cherry Switch      RCT = Cherry Switch  
CP-SM = Micro Switch

*Please note that the dimensions given, are for the Black Bezel which holds the transparent cap in the button.*



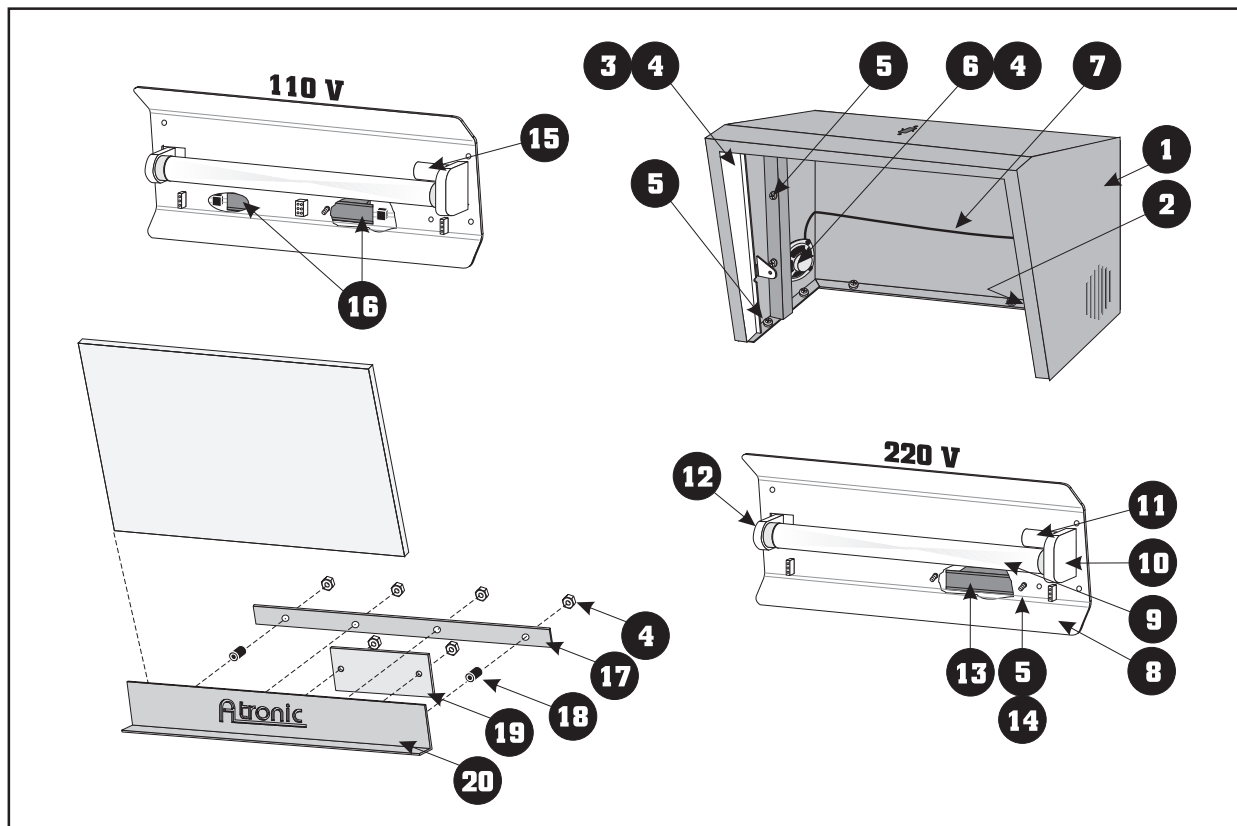
65003900 CG white



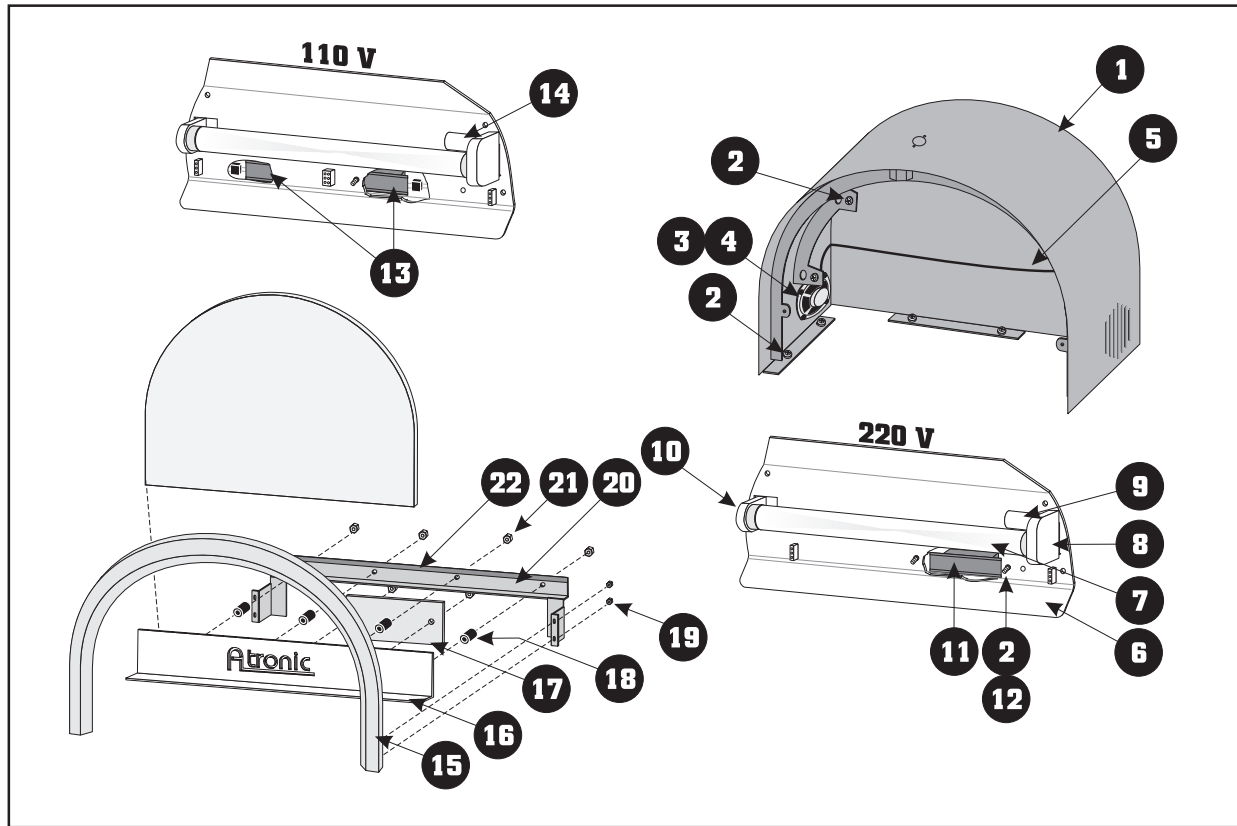
65003901 CP-SM white  
65001208 Btn Cap red



65003903 RCT white

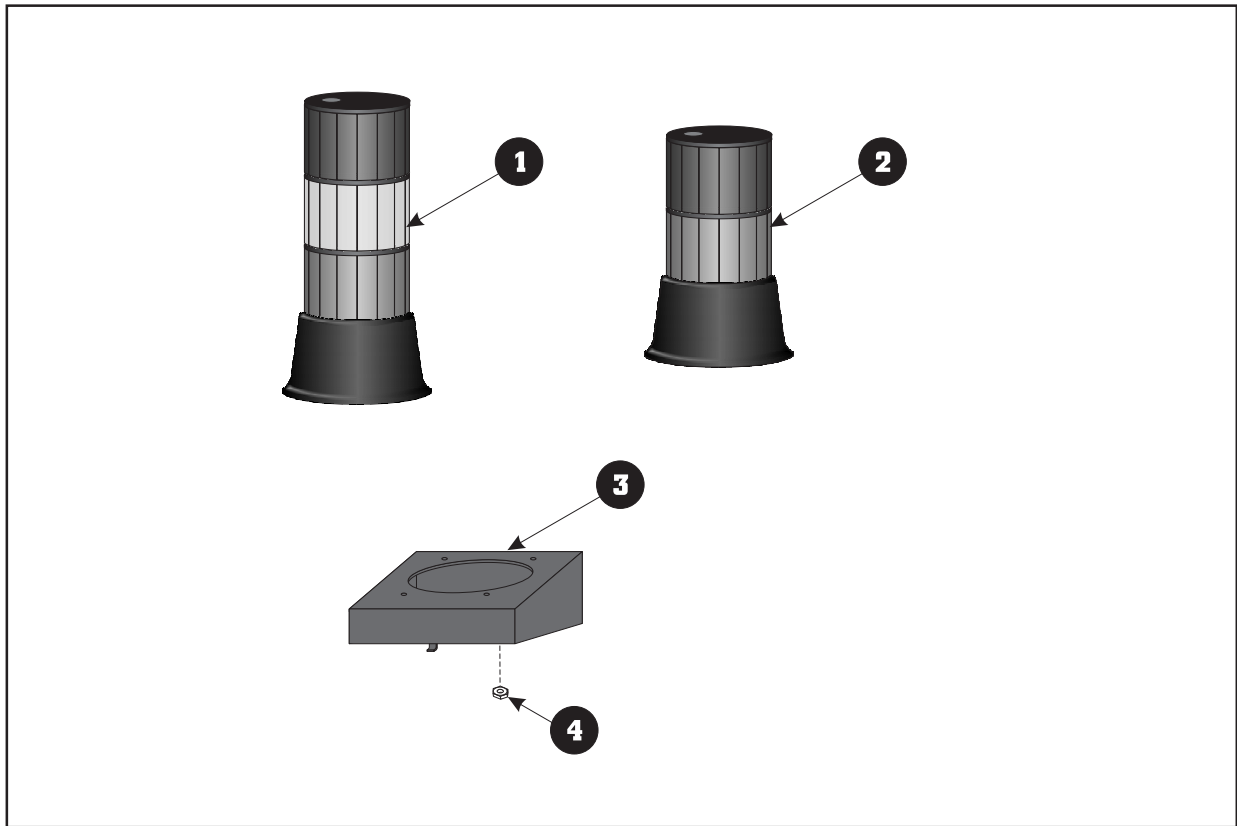


POS	SAP-No	Nomenclature
1	65006697	Housing, Upper Video Square Black #03 >Ls
2	65003512	Frame Part right welded chrom WBC #05
	65011147	Frame Part right welded BITw WBC #05
3	65003511	Frame Part left welded chrom WBC #05
	65011146	Frame Part left welded BITw WBC #05
4	65001371	Nut M4 SKT BN1365 Combi
5	65001348	Screw, Metal 4.2x9.5 DIN 7981 F
6	65006742	Loudspeaker 15W/4R TTP120-60C1
7	65005758	Cable, Backplane/Loudspeaker Top WBC
8	65002809	Lamp Fixture Panel #03
9	65002190	Lamp Fluoro TL-D 15W/84 438mm
10	65006644	Socket, Starter and Lamp 15W UL-approved
11	65003232	Starter 4-22W S2
12	65006643	Socket, Lamp 15W UL-approved
13	65004278	Ballast Coil - EC 22/30 230V 22W
14	65001381	Lockwasher M4 DIN6798A (BN781)
15	65002191	Starter 4-22W 110V UL-Approved
16	65004280	Ballast Coil 110V UL-Approved
17	65010314	Bracket, Top Glass #02
18	65005185	Distance Sleeve Polyamide 4.1x6x4mm
19	65010313	Plate printed #01 (Plexi-Atronic colour)
20	65010312	Top Insert (Atronic) #02 Black

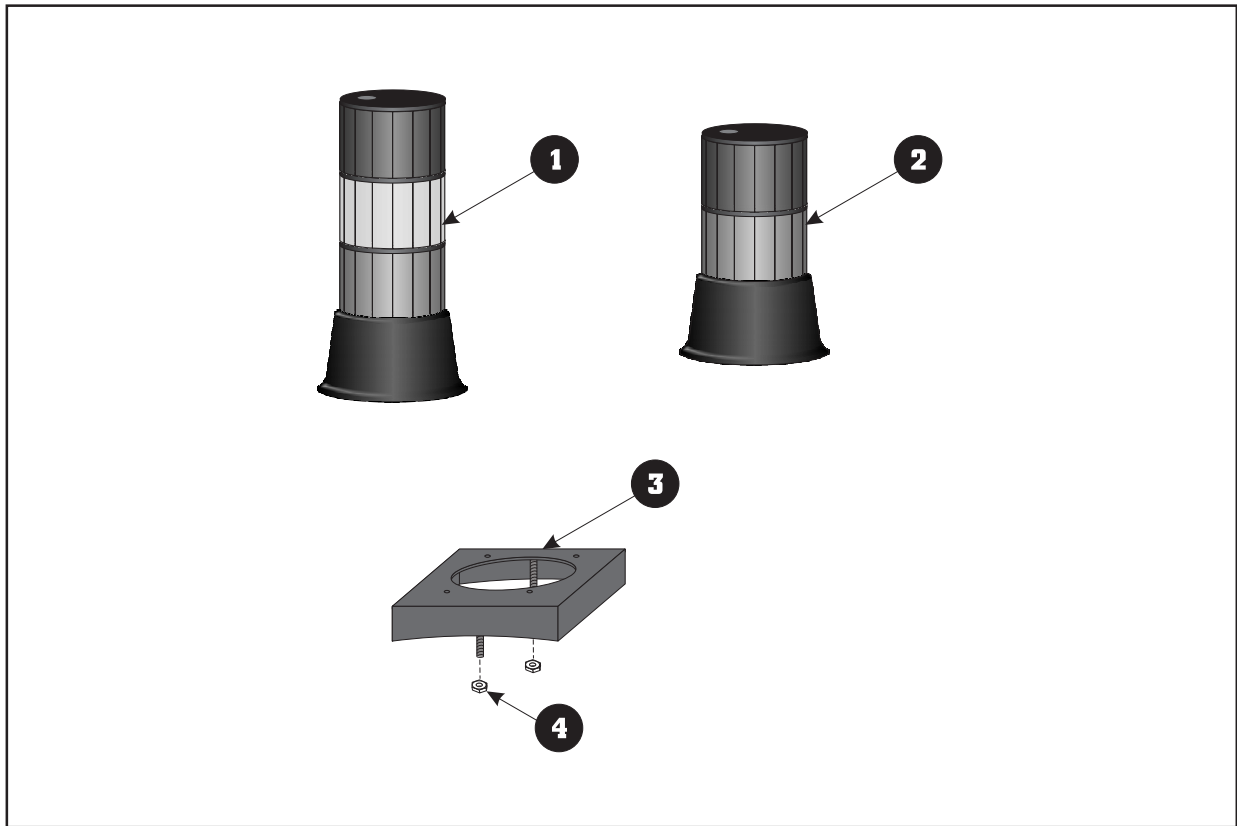


POS	SAP-No	Nomenclature
1	65006699	Housing Upper Video Round Black #07
2	65001348	Screw, Metal 4.2x9.5
3	65006742	Loudspeaker 15W/4R TTP120-60C1
4	65001371	Nut M4 SKT BN 1365 Combi
5	65007079	Cable, Backplane-Loudspeaker Top #01
6	65003075	Lamp Fixture Panel #01 Round Top
7	65002190	Lamp Fluoro TL-D 15W/84 438mm
8	65006644	Socket, Starter-Lamp for 15W
9	65003232	Starter, Lamp 4-22W 220V S10
10	65006643	Socket, Lamp 15W
11	65004278	Ballast Coil-EC 20/30 230V 22W
12	65001381	Lockwasher M4 DIN6798A (BN781)
13	65004280	Ballast Coil UL 110V 22W
14	65002191	Starter, Lamp 4-W 110V
15	65004994	Frame welded Round Top chrom WBC #03
	65011148	Frame welded Round Top BITw WBC #03
16	65010312	Top Insert (Atronic) #02 Black
17	65010313	Plate printed #01 (Plexi-Atronic colour)
18	65005185	Distancing Sleeves
19	65002042	Nut M3 Self Locking
20	65004204	Lower Bracket Top-Glass RT
21	65002161	Nut M4 SKT BN1365 Combi
22	65008774	Foam Cushion

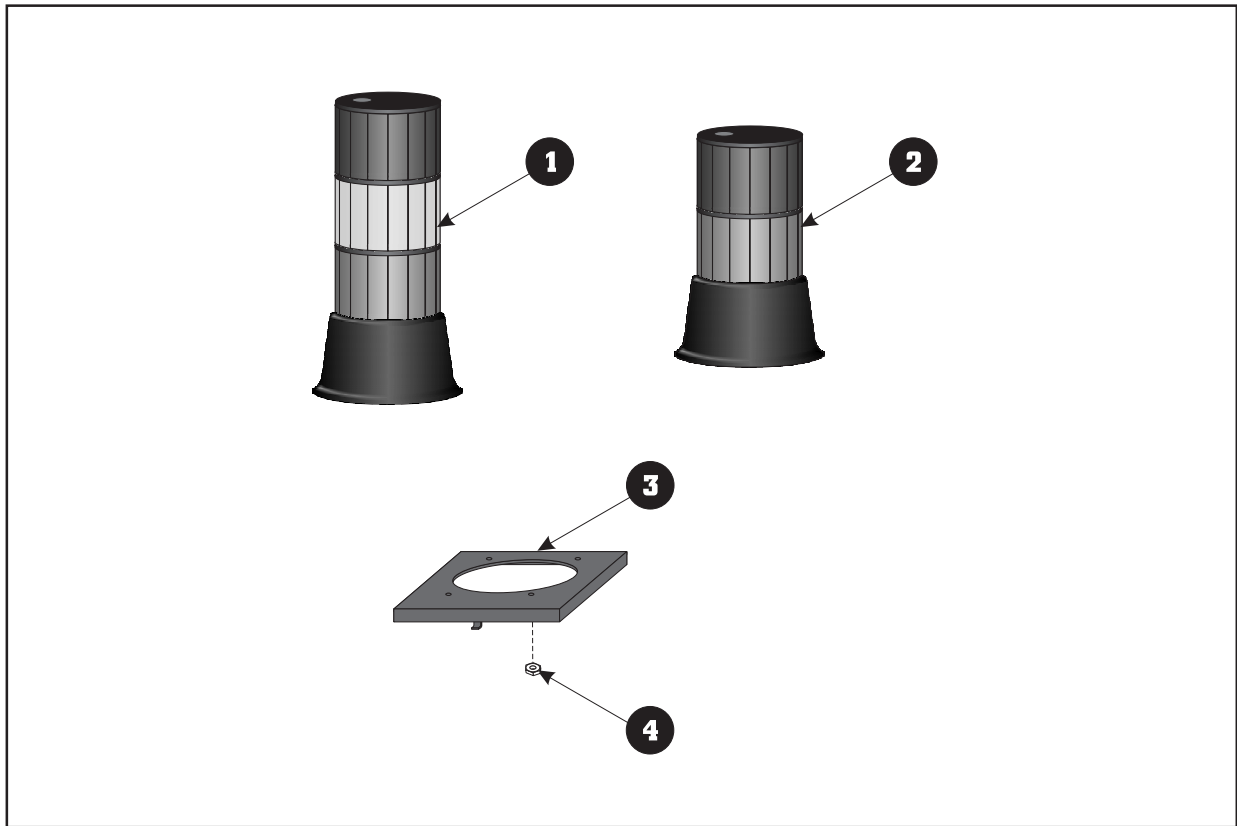




POS	SAP-No	Nomenclature				
1	65006535	Toplight Blue/Yel/Red (Top/Mid/Bot)	3	65003355	Square Top Adapter	
	65003702	Toplight Grn/Red/Yel (Top/Mid/Bot)	4	65002161	Nut M4 SKT BN1365 Combi	
	65002835	Toplight Grn/Yel/Red (Top/Mid/Bot)				
	65005367	Toplight Grn/Whi/Red (Top/Mid/Bot)				
	65005543	Toplight Red/Blue/Whi (Top/Mid/Bot)				
	65006434	Toplight Red/Grn/Blue (Top/Mid/Bot)				
	65006235	Toplight Red/Whi/Blue (Top/Mid/Bot)				
	65005619	Toplight Red/Yel/Blue (Top/Mid/Bot)				
	65002497	Toplight Red/Yel/Grn (Top/Mid/Bot)				
	65005863	Toplight Yel/Red/Blue (Top/Mid/Bot)				
	2	65002494	Toplight Blue/Blue (Top/Bot)			
		65002542	Toplight Blue/Whi (Top/Bot)			
		65002493	Toplight Grn/Grn (Top/Bot)			
		65009020	Toplight Grn/Whi (Top/Bot)			
65002451		Toplight Red/Red (Top/Bot)				
65004125		Toplight Red/Whi (Top/Bot)				
65005758		Toplight Red/Yel (Top/Bot)				
65002450		Toplight Whi/Blue (Top/Bot)				
65003963		Toplight Whi/Grn (Top/Bot)				
65002501		Toplight Whi/Red (Top/Bot)				
65002429	Toplight Whi/Yel (Top/Bot)					
65006654	Toplight Yel/Blue (Top/Bot)					
65006646	Toplight Yel/Whi (Top/Bot)					
65002495	Toplight Yel/Yel (Top/Bot)					



POS	SAP-No	Nomenclature				
1	65006535	Toplight Blue/Yel/Red (Top/Mid/Bot)	3	65003333	Round Top Adapter	
	65003702	Toplight Grn/Red/Yel (Top/Mid/Bot)	4	65002161	Nut M4 SKT BN1365 Combi	
	65002835	Toplight Grn/Yel/Red (Top/Mid/Bot)				
	65005367	Toplight Grn/Whi/Red (Top/Mid/Bot)				
	65005543	Toplight Red/Blue/Whi (Top/Mid/Bot)				
	65006434	Toplight Red/Grn/Blue (Top/Mid/Bot)				
	65006235	Toplight Red/Whi/Blue (Top/Mid/Bot)				
	65005619	Toplight Red/Yel/Blue (Top/Mid/Bot)				
	65002497	Toplight Red/Yel/Grn (Top/Mid/Bot)				
	65005863	Toplight Yel/Red/Blue (Top/Mid/Bot)				
	2	65002494	Toplight Blue/Blue (Top/Bot)			
		65002542	Toplight Blue/Whi (Top/Bot)			
		65002493	Toplight Grn/Grn (Top/Bot)			
		65009020	Toplight Grn/Whi (Top/Bot)			
		65002451	Toplight Red/Red (Top/Bot)			
65004125		Toplight Red/Whi (Top/Bot)				
65005758		Toplight Red/Yel (Top/Bot)				
65002450		Toplight Whi/Blue (Top/Bot)				
65003963		Toplight Whi/Grn (Top/Bot)				
65002501		Toplight Whi/Red (Top/Bot)				
65002429	Toplight Whi/Yel (Top/Bot)					
65006654	Toplight Yel/Blue (Top/Bot)					
65006646	Toplight Yel/Whi (Top/Bot)					
65002495	Toplight Yel/Yel (Top/Bot)					



POS	SAP-No	Nomenclature				
1	65006535	Toplight Blue/Yel/Red (Top/Mid/Bot)	3	65006725	Low Top Adapter	
	65003702	Toplight Grn/Red/Yel (Top/Mid/Bot)	4	65002161	Nut M4 SKT BN1365 Combi	
	65002835	Toplight Grn/Yel/Red (Top/Mid/Bot)				
	65005367	Toplight Grn/Whi/Red (Top/Mid/Bot)				
	65005543	Toplight Red/Blue/Whi (Top/Mid/Bot)				
	65006434	Toplight Red/Grn/Blue (Top/Mid/Bot)				
	65006235	Toplight Red/Whi/Blue (Top/Mid/Bot)				
	65005619	Toplight Red/Yel/Blue (Top/Mid/Bot)				
	65002497	Toplight Red/Yel/Grn (Top/Mid/Bot)				
	65005863	Toplight Yel/Red/Blue (Top/Mid/Bot)				
	2	65002494	Toplight Blue/Blue (Top/Bot)			
		65002542	Toplight Blue/Whi (Top/Bot)			
		65002493	Toplight Grn/Grn (Top/Bot)			
		65009020	Toplight Grn/Whi (Top/Bot)			
65002451		Toplight Red/Red (Top/Bot)				
65004125		Toplight Red/Whi (Top/Bot)				
65005758		Toplight Red/Yel (Top/Bot)				
65002450		Toplight Whi/Blue (Top/Bot)				
65003963		Toplight Whi/Grn (Top/Bot)				
65002501		Toplight Whi/Red (Top/Bot)				
65002429	Toplight Whi/Yel (Top/Bot)					
65006654	Toplight Yel/Blue (Top/Bot)					
65006646	Toplight Yel/Whi (Top/Bot)					
65002495	Toplight Yel/Yel (Top/Bot)					