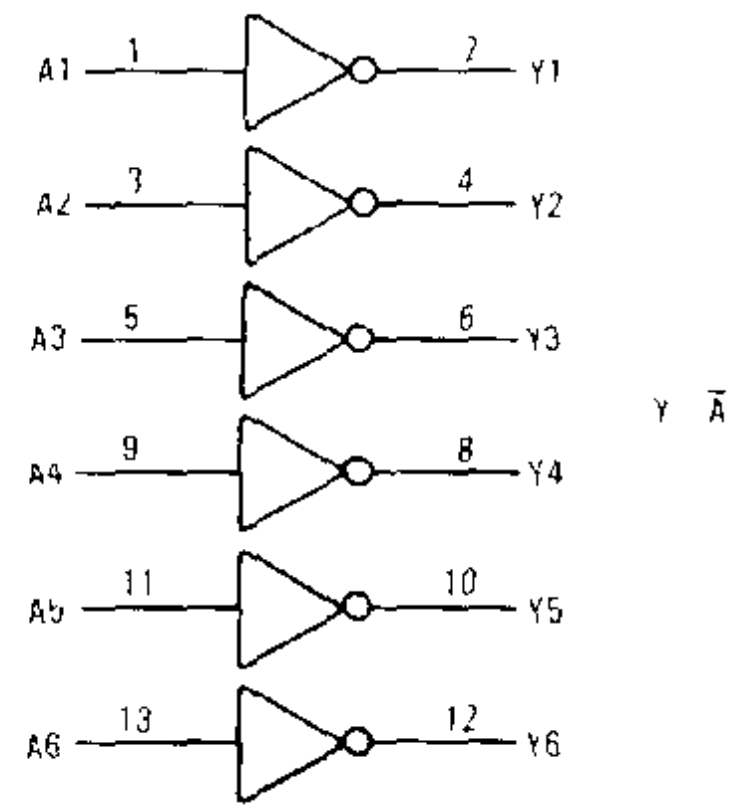
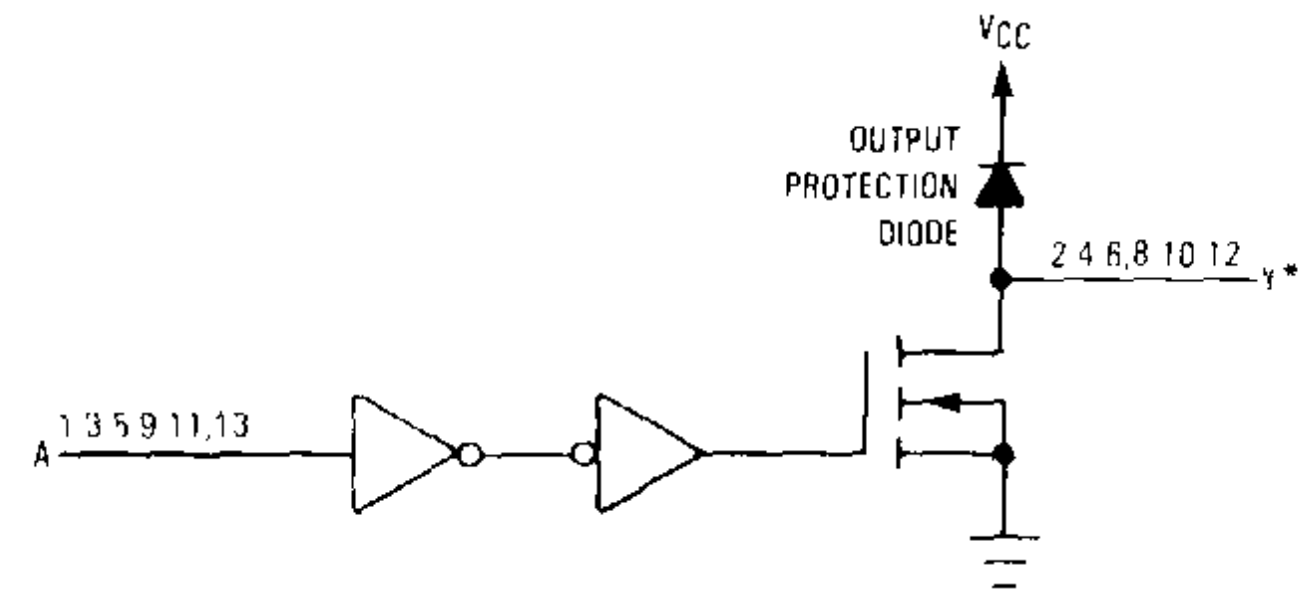


**HC04  
HC04A  
HCT04  
HCT04A  
HCU04**

PIN 14 = V<sub>CC</sub>  
PIN 7 = GND



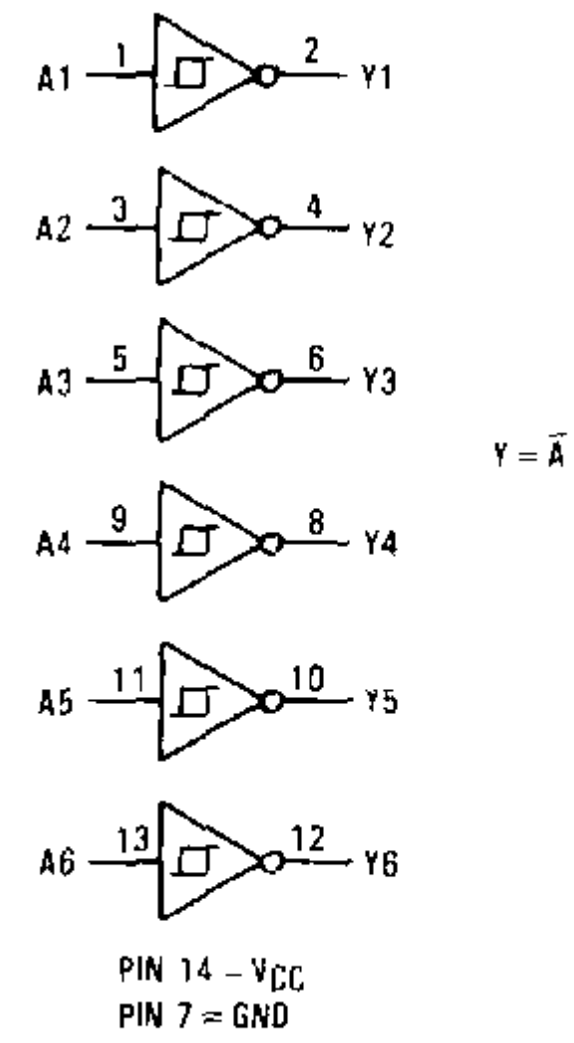
**HC05  
HCT05**



PIN 14 = V<sub>CC</sub>  
PIN 7 = GND

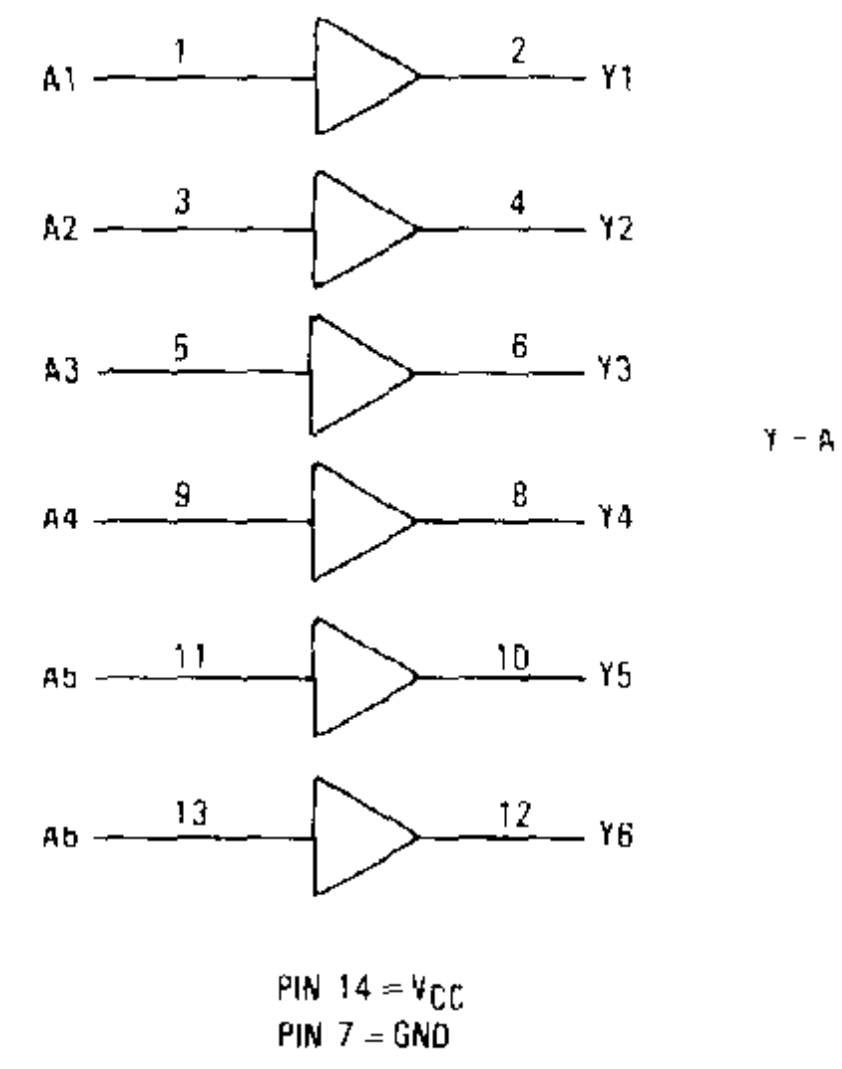
\*Denotes open-drain outputs

**HC14  
HC14A**



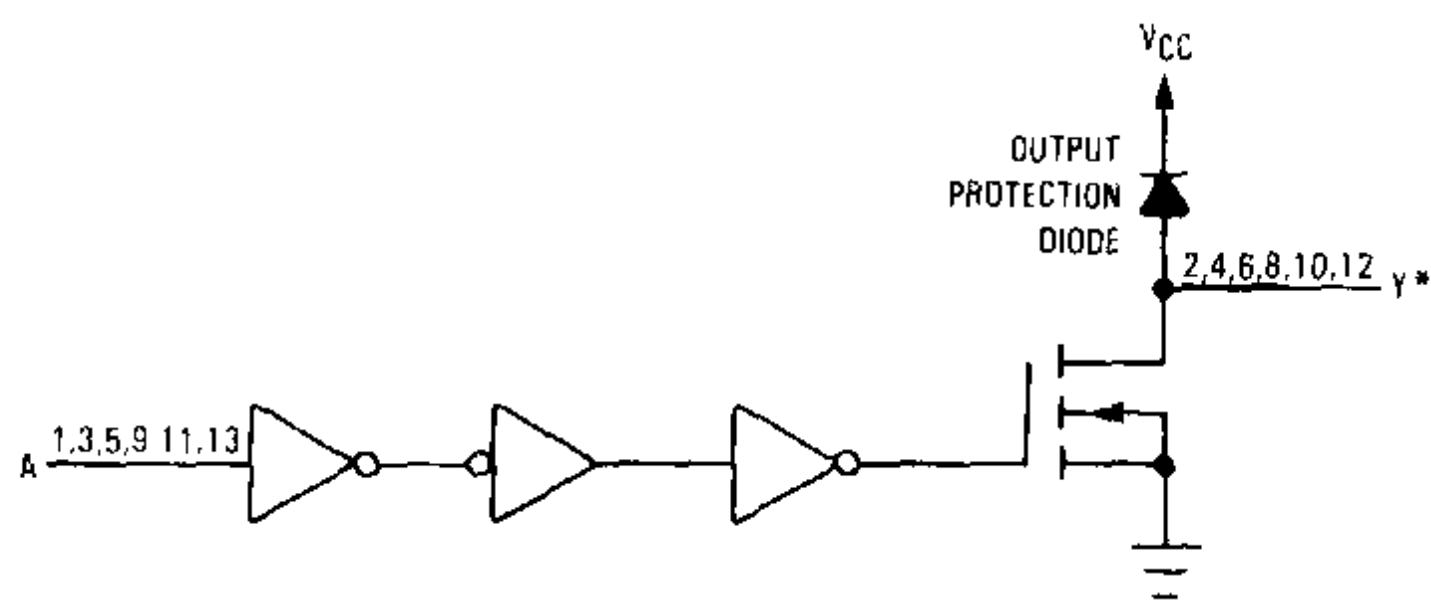
PIN 14 = V<sub>CC</sub>  
PIN 7 = GND

**HC34  
HCT34**



PIN 14 = V<sub>CC</sub>  
PIN 7 = GND

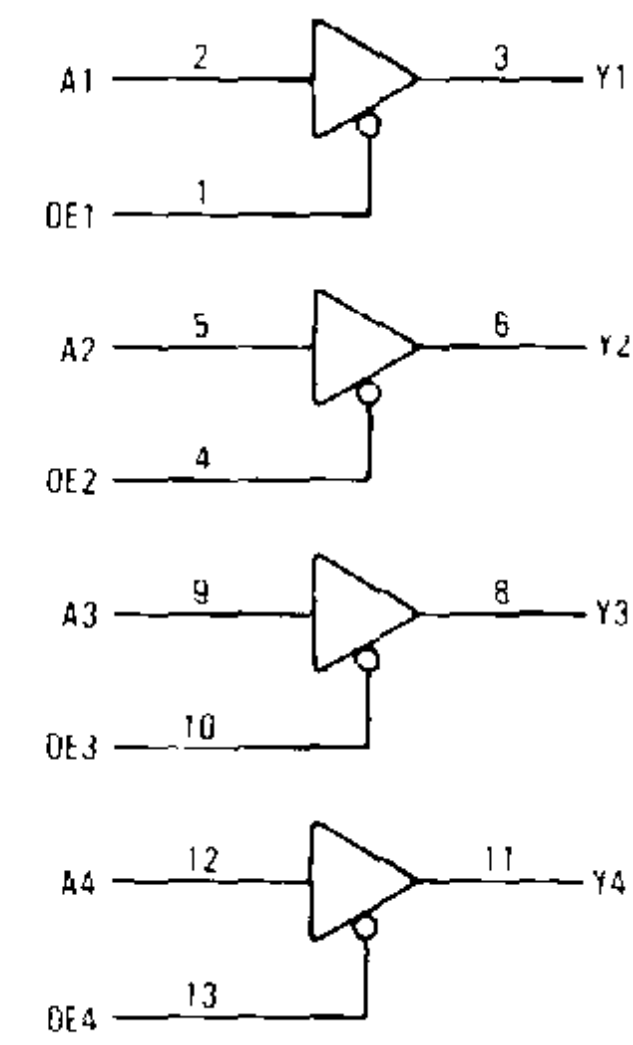
**HC35  
HCT35**



PIN 14 = V<sub>CC</sub>  
PIN 7 = GND

\*Denotes open-drain outputs

**HC125**



PIN 14 = V<sub>CC</sub>  
PIN 7 = GND