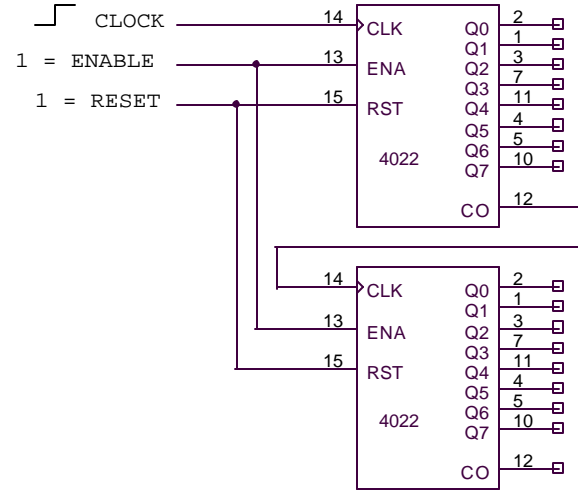
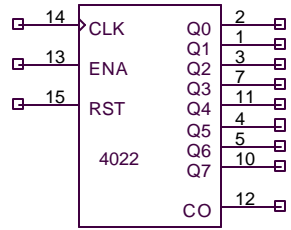
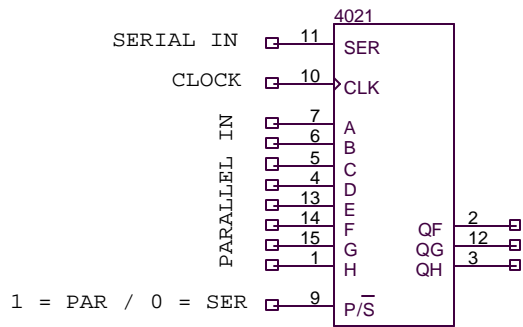


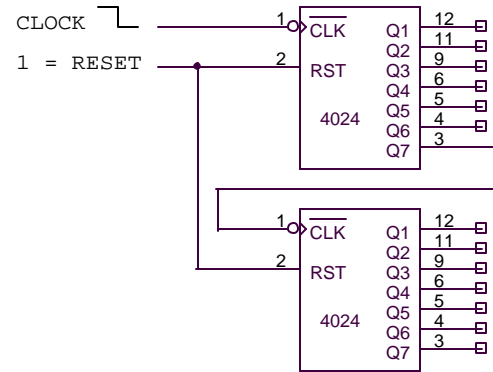
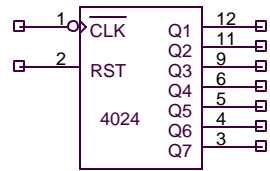
D

D



C

C



B

B

A

A

Title		
4xxx SERIES CMOS DEVICES		
Size	Document Number	Rev
A	0106061706	1
Date:	Saturday, June 17, 2006	Sheet 1 of 1