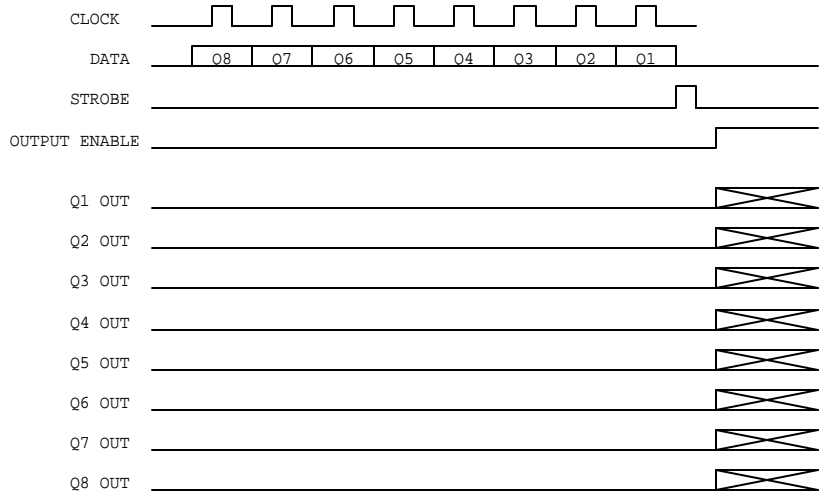
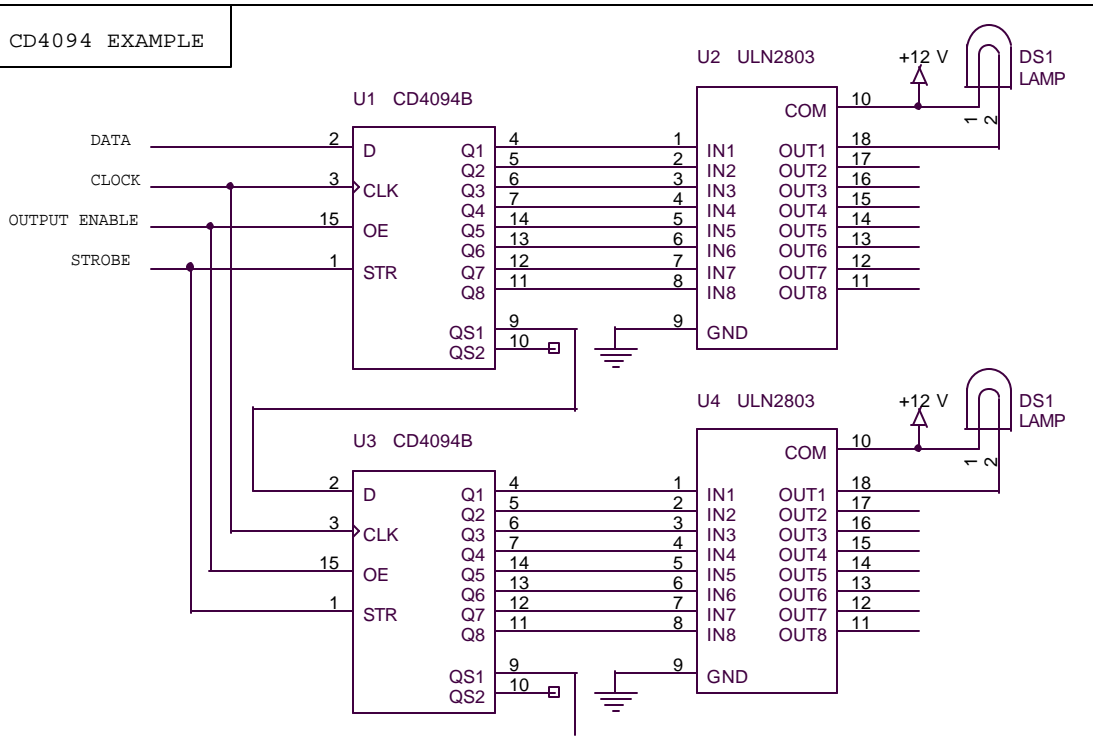


CD4094 EXAMPLE



Title		
CD4094 EXAMPLE AND OPERATION		
Size	Document Number	Rev
A	DESIGN 26	1
Date:	Tuesday, March 20, 2007	Sheet 1 of 1