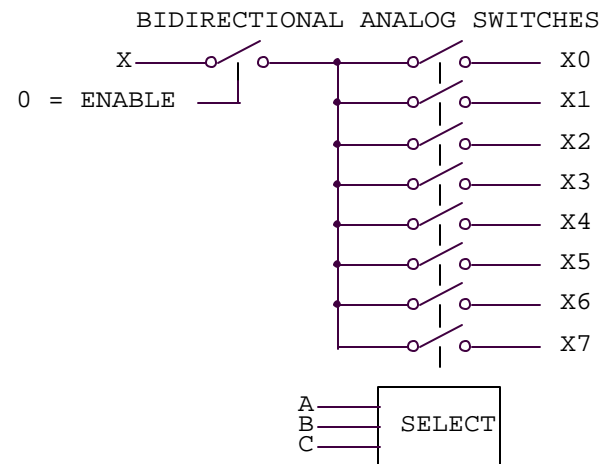


SIMPLIFIED 4051



ANALOG SIGNALS BETWEEN VDD AND VEE
DIGITAL SIGNALS BETWEEN VDD AND GND

| | | |
|--------------------------|-------------------------|--------------|
| Title | | |
| 4xxx SERIES CMOS DEVICES | | |
| Size | Document Number | Rev |
| A | 0106061714 | 1 |
| Date: | Saturday, June 17, 2006 | Sheet 1 of 1 |