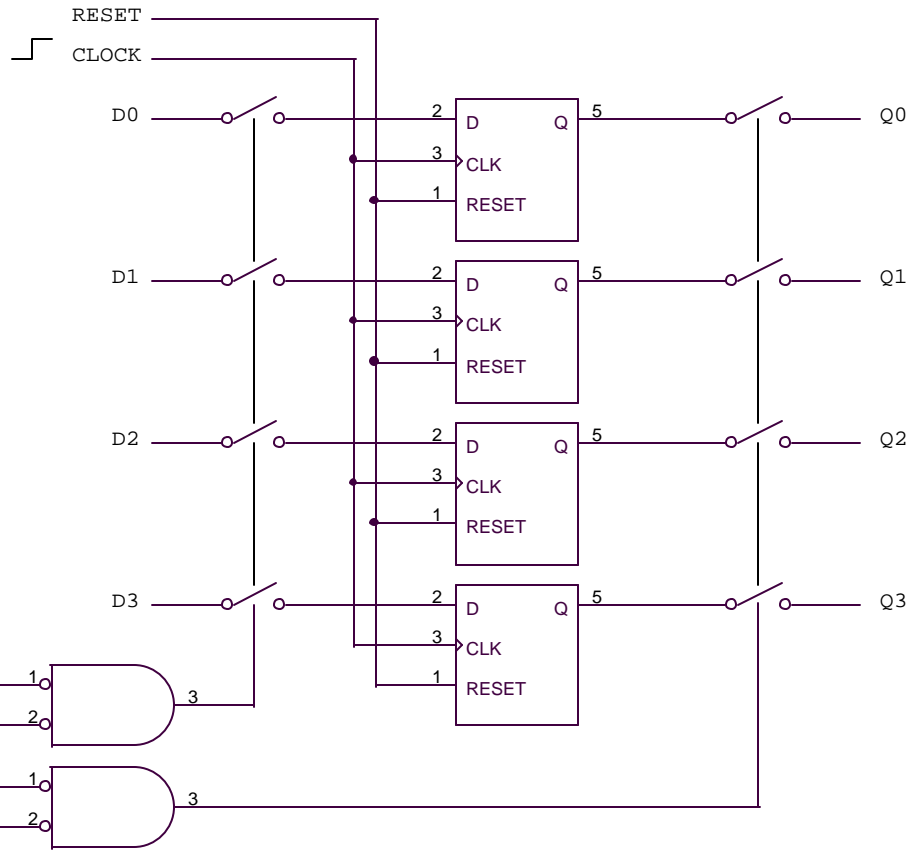


ROUGH EQUIVALENT OF 4076



0 = DATA IN ENABLE A — 1 — 3
 0 = DATA IN ENABLE B — 2 — 3

0 = DATA OUT ENABLE A — 1 — 3
 0 = DATA OUT ENABLE B — 2 — 3

A CLOCK PULSE WHEN DATA IN IS DISABLED RELOADS THE SAME DATA.

Title		
4xxx SERIES CMOS DEVICES		
Size	Document Number	Rev
A	0106061805	1
Date:	Sunday, June 18, 2006	Sheet 1 of 1