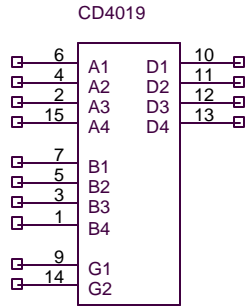


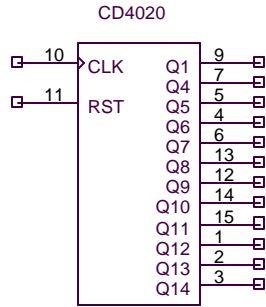
VDD - Pin 16
VSS - Pin 8

CD4018 Presettable Div-by-N Counter



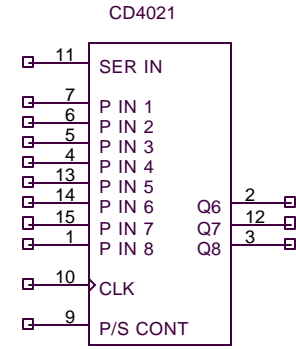
VDD - Pin 16
VSS - Pin 8

CD4019 Quad AND/OR Select Gate



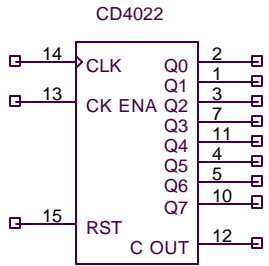
VDD - Pin 14
VSS - Pin 7

CD4020 14-Stage Counter / Divider



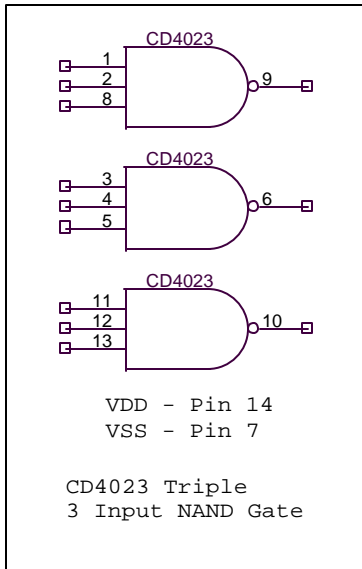
VDD - Pin 16
VSS - Pin 8

CD4021 8-Stage SR ASI / SI / SO



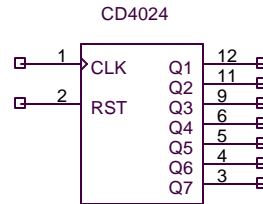
VDD - Pin 16
VSS - Pin 8

CD4022 Octal Counter Decoded Outputs



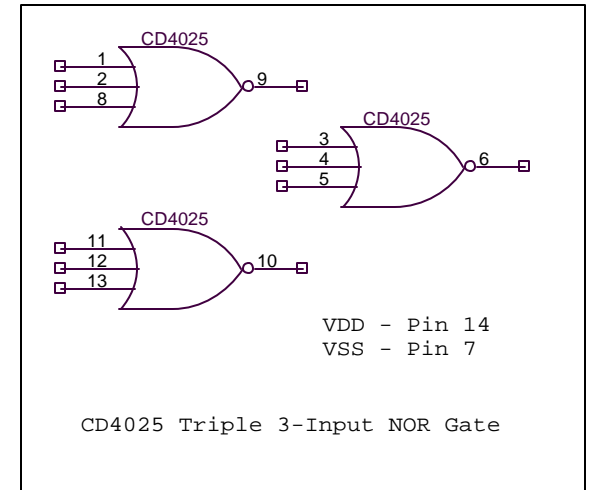
VDD - Pin 14
VSS - Pin 7

CD4023 Triple 3 Input NAND Gate



VDD - Pin 14
VSS - Pin 7

CD4024 7-Stage Counter



VDD - Pin 14
VSS - Pin 7

CD4025 Triple 3-Input NOR Gate

Title		
CMOS Class		
Size	Document Number	Rev
A	Design 74	1
Date: Tuesday, March 20, 2007		Sheet 2 of 1