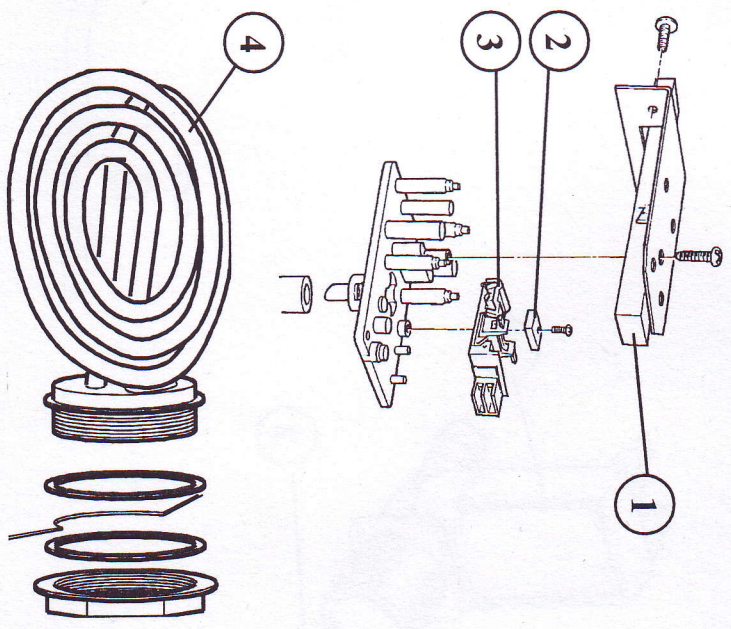


Page No.	100/01/8	SERVICE MANUAL	KRAFT Kraft Foods Any From Dates Stamp
Issue No.	1		Document No. SM/56
Machine Type	KENCO 6GM BREWER		Date 02/08/01
Section	PARTS DIAGRAMS		

HEATING ELEMENT AND REMOTE STEAM STAT

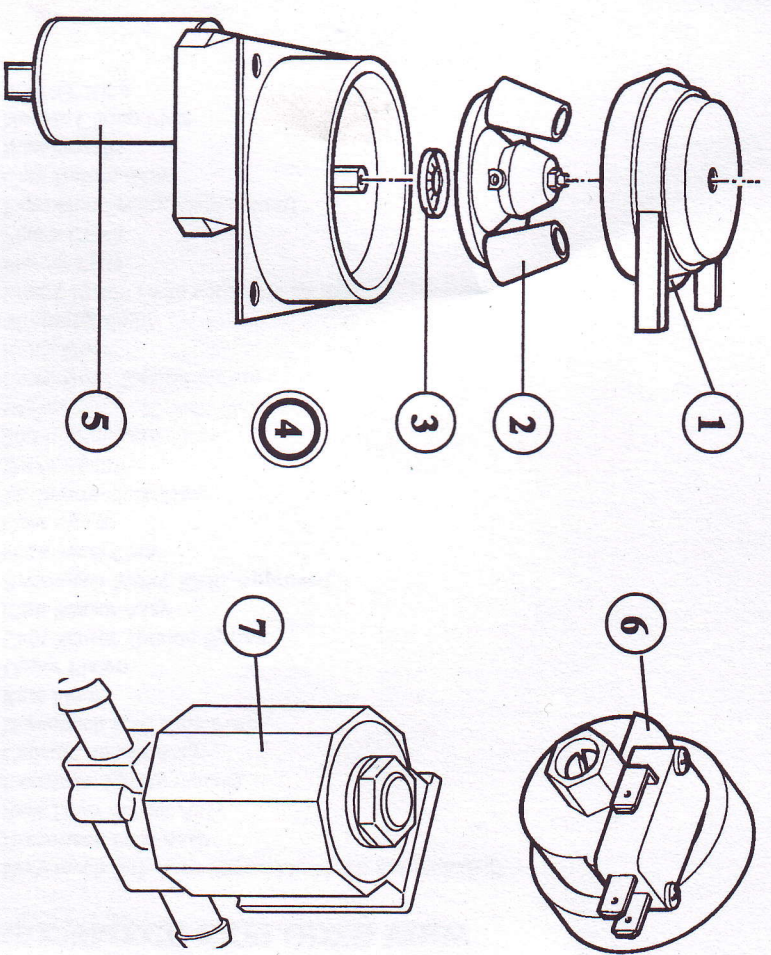


1. 661420 Reset Button (Over Temp Steam Stat)
2. 661490 Remote Steam Stat Retainer
3. 661430 Remote Steam Stat
4. 715300 Heating Element 2.0 kW (1/4" connection)

Page No.	100/01/12	SERVICE MANUAL	KRAFT Kraft Foods Any From Dates Stamp
Issue No.	1		Document No. SM/56
Machine Type	KENCO 6GM BREWER		Date 02/08/01
Section	PARTS DIAGRAMS		

PARTS DIA.

BREW PUMP/PRESSURE SWITCH/AIR VALVE



1. 609820 Pump Tube Cartridge
2. 609830 Pump Rotor/Roller
3. 733920 Start Lock Washer
4. 664950 Pump Assy (inc. Motor)
5. 664940 Filtered Crouzet Pump Motor EMC Approved
6. 667230 Pressure Switch
7. 740060 24v Solenoid Valve (Air Valve)