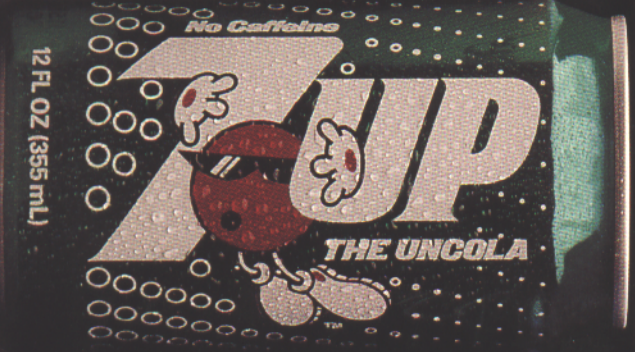
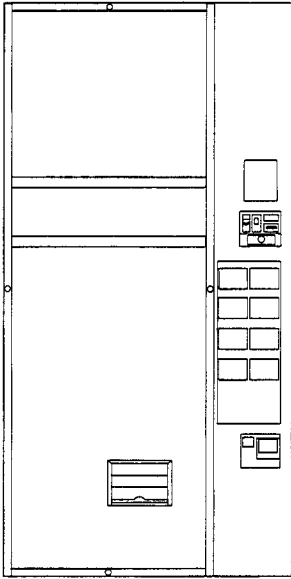


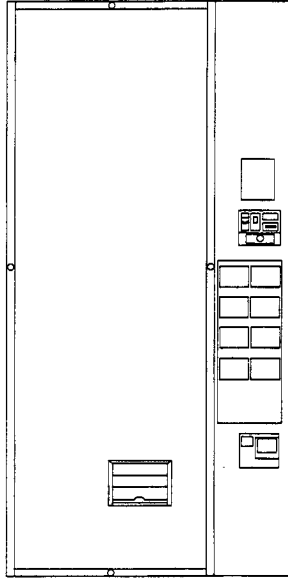
# The Parts Book



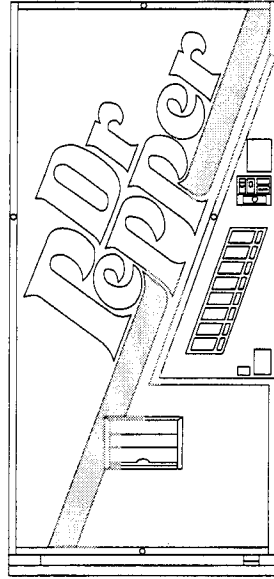
Can Display, Cold Drink FLS, Dr Pepper (D3), Generic Round, 7Up (B7), Veryfine Circular(0001-3194CO to 0001-6169AS), Veryfine/RC Inverted "L" Circular



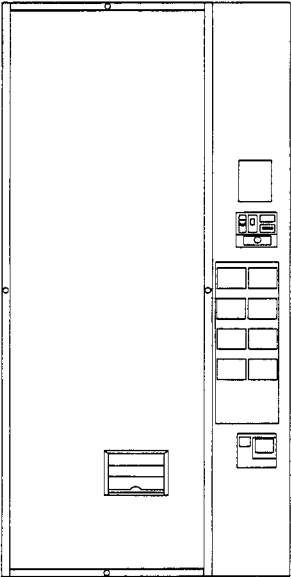
Can Display



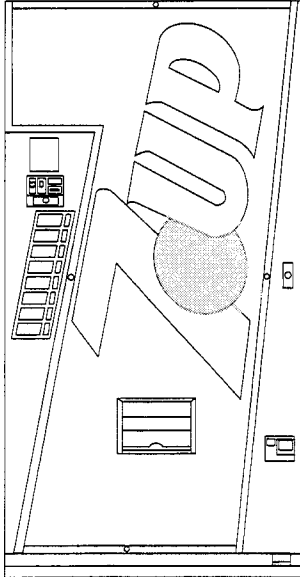
Cold Drink FLS



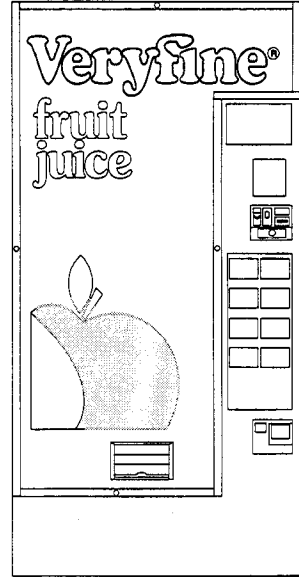
Dr Pepper (D3)



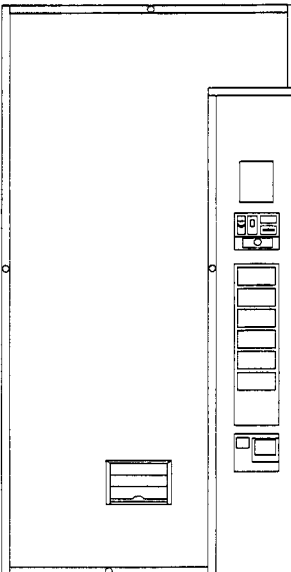
Generic Round



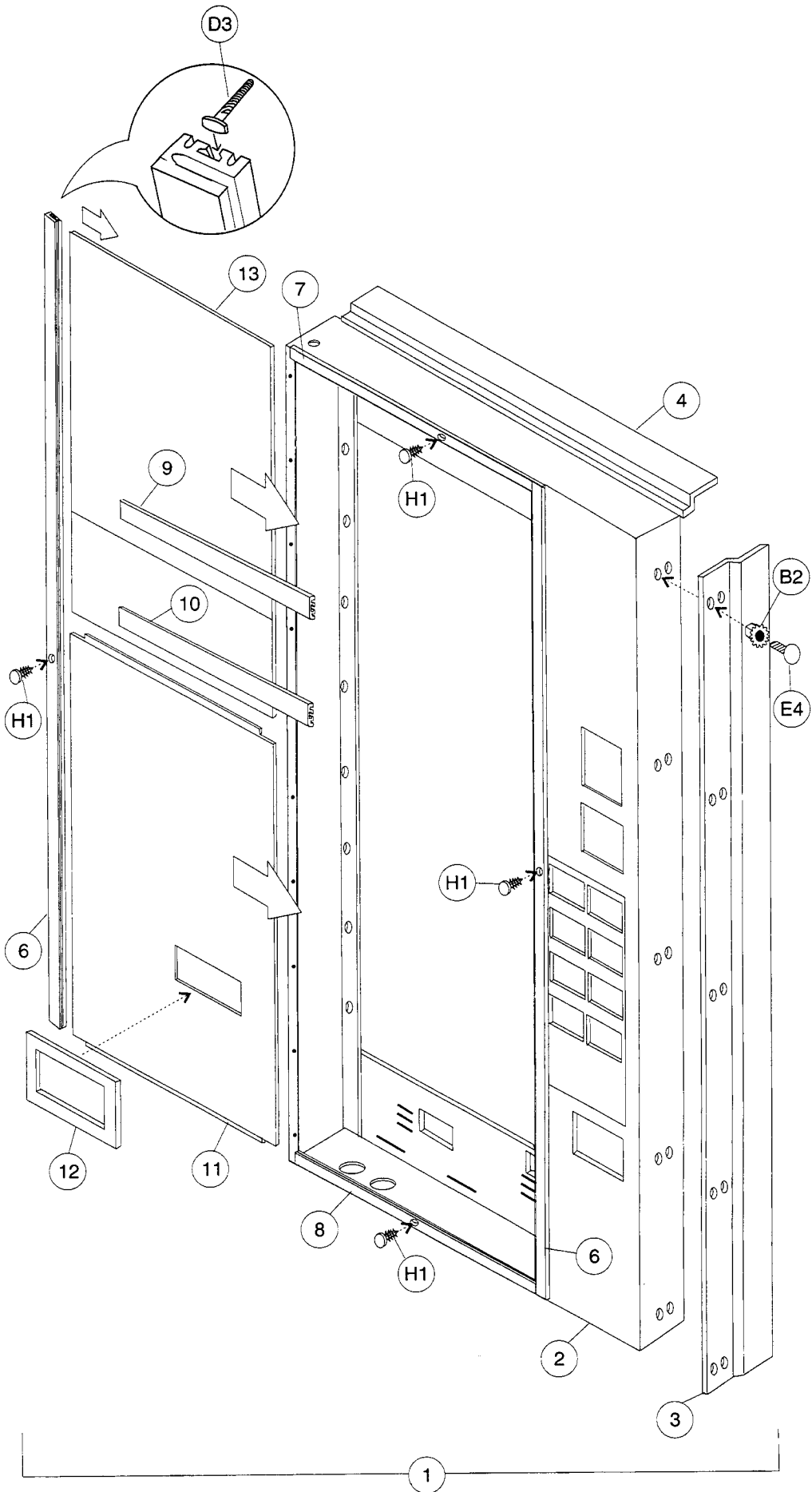
7Up (B7)



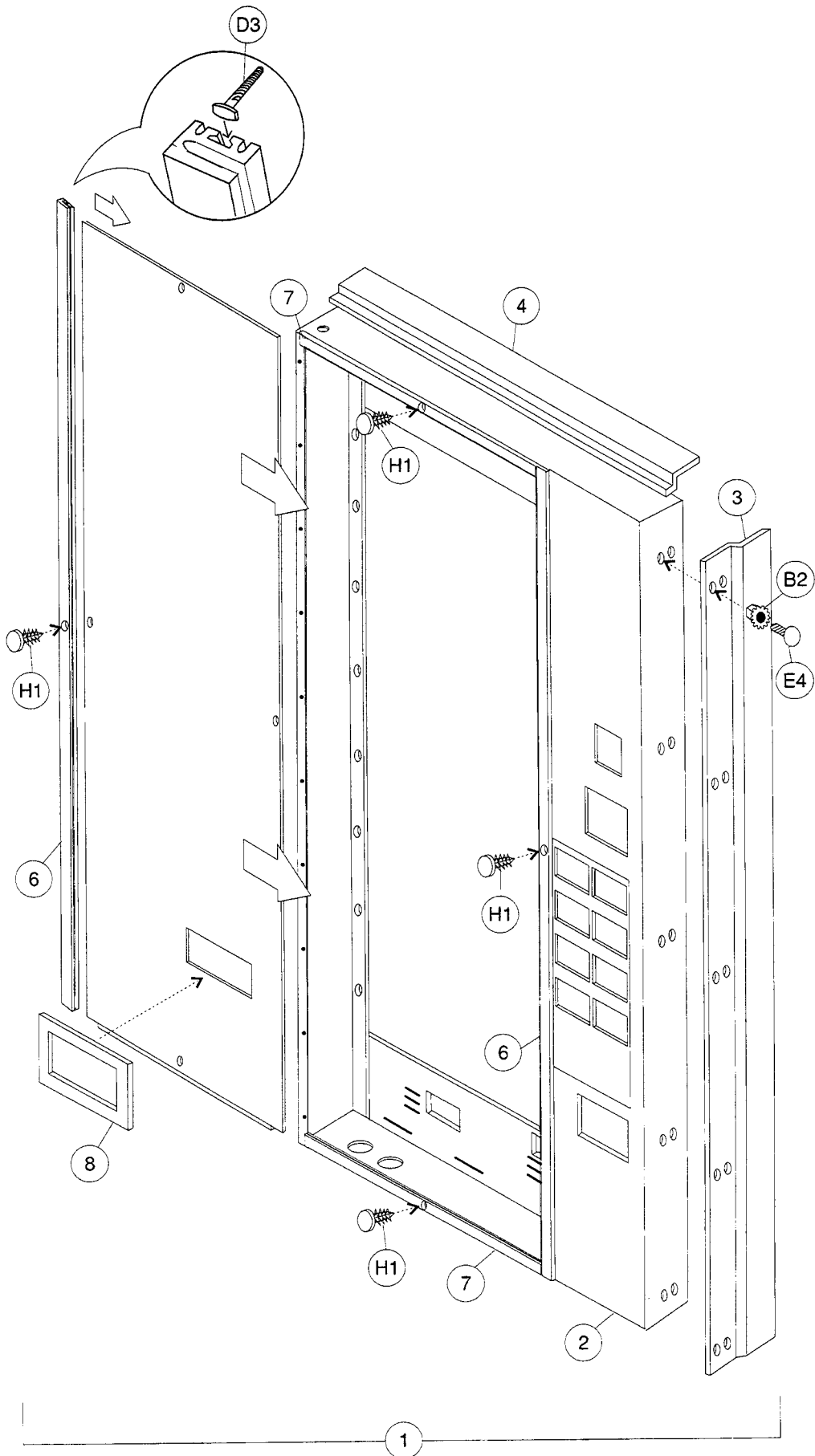
Veryfine Circular  
(0001-3194CO  
to 0001-6169AS)



Veryfine/RC Inverted "L" Circular



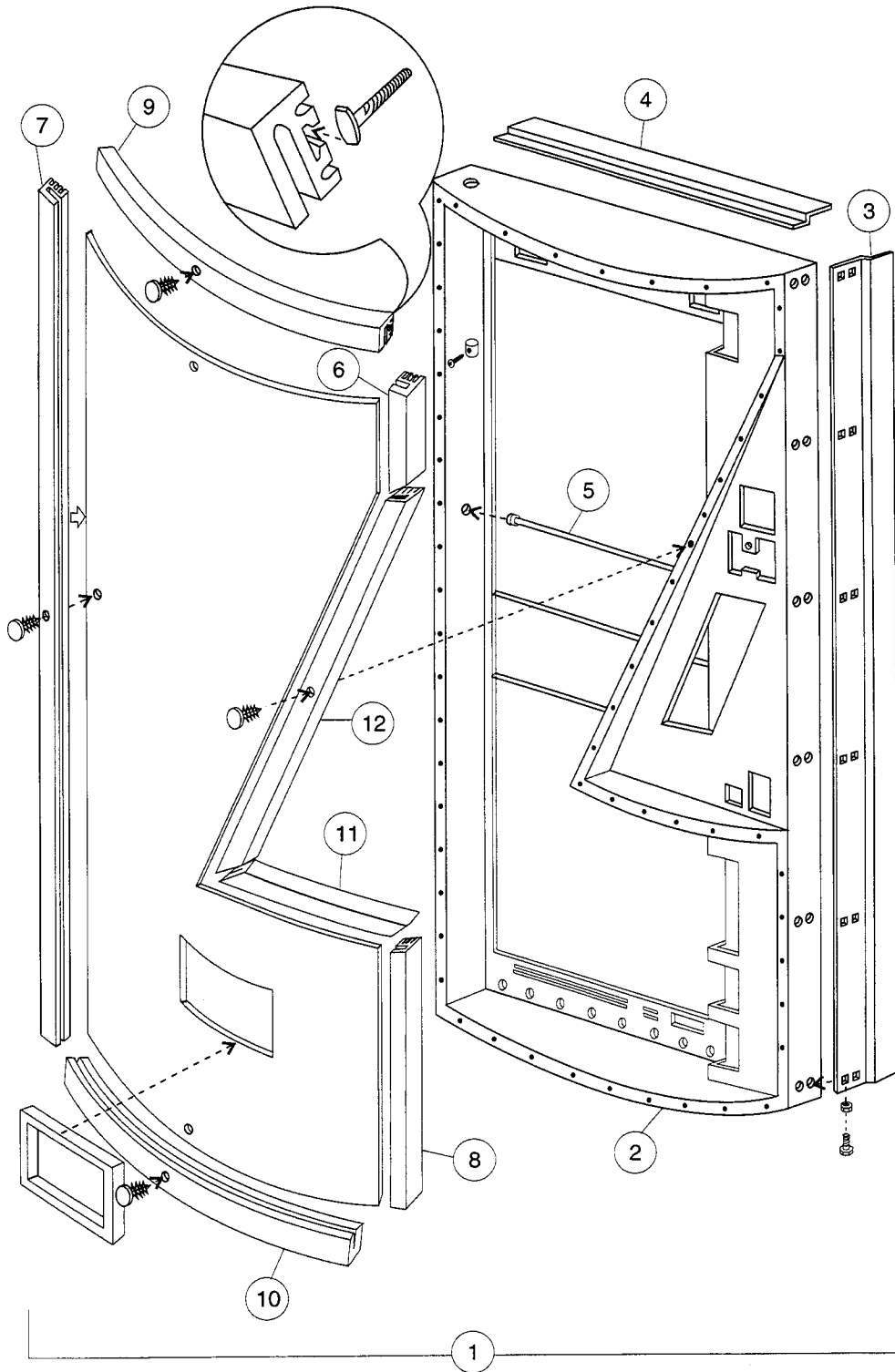






# Main Door Exterior

## Dr Pepper (D3)



## Dr Pepper (D3)

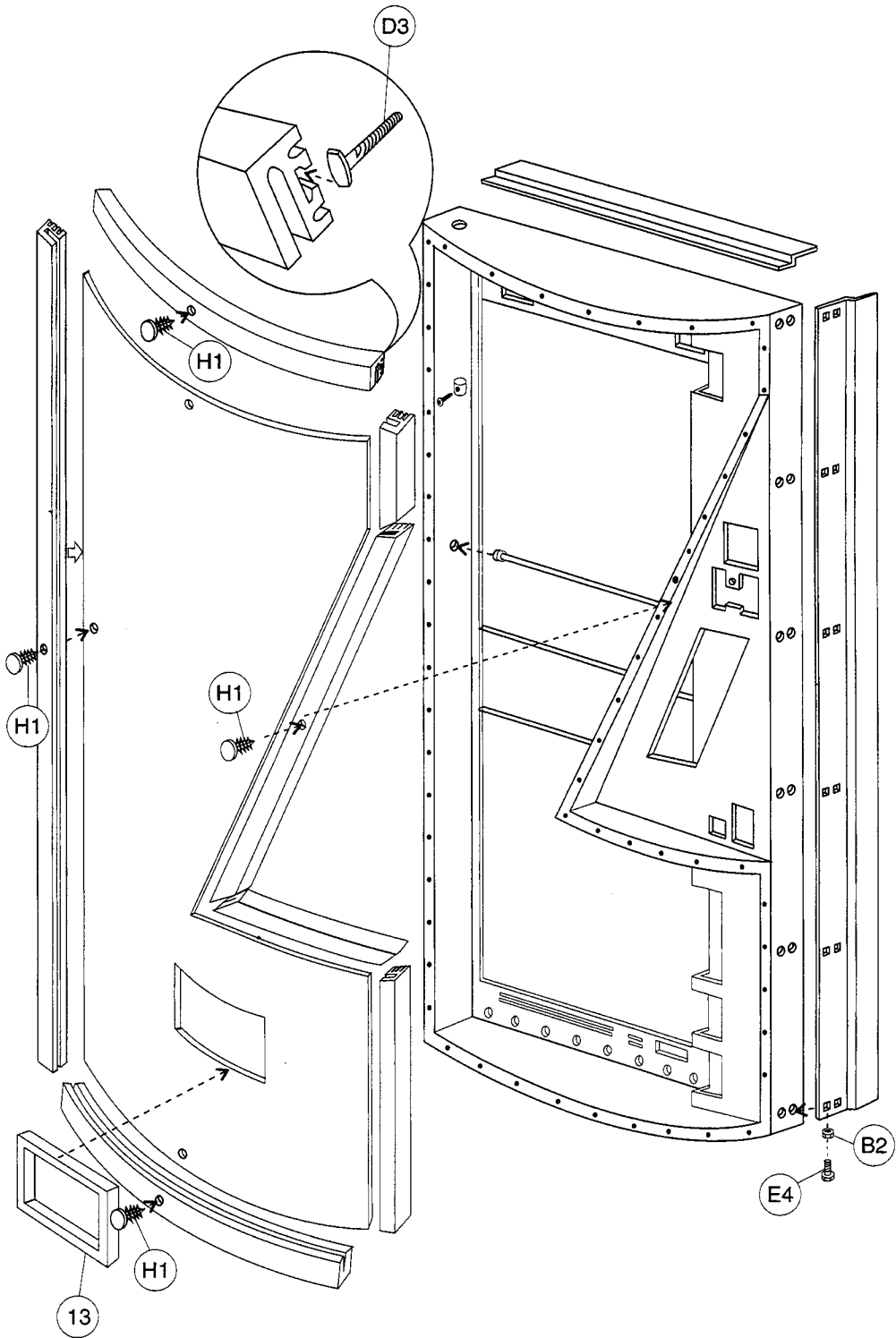
Item	Part Number	Part Name And Description By Model Number
1		Main Door Assembly (Specify Graphics & Harness)
	586,150,000.03	522 VRV (6 Select)
	586,150,300.03	522 VRV SII (6 Select)
	453,150,000.03	440/600 (8 Select)
	453,150,200.03	440/600 VRV (8 Select)
	453,150,300.03	440/600 VRV SII (8 Select)
	453,051,000.03	440 MPC (8 Select)
	461,150,000.03	414 (10 Select)
	461,150,900.03	414 VRV (10 Select)
	461,150,200.03	414 VRV SII (10 Select)
	454,150,000.03	368/501 (8 Select)
	454,150,200.03	368/501 VRV (8 Select)
	454,150,500.03	368/501 VRV SII (8 Select)
	454,050,300.03	368 MPC (8 Select)
	540,150,000.03	348 (10 Select)
	540,150,200.03	348 VRV (10 Select)
	540,150,400.03	348 VRV SII (10 Select)
	2	
586,150,100.03		522 VRV (6 Select)
453,050,100.33		440/600 (8 Select)
453,150,400.03		440/600 VRV & VRV SII (8 Select)
453,051,100.03		440 MPC (8 Select)
461,050,100.03		414 (10 Select)
461,150,300.03		414 VRV & VRV SII (10 Select)
454,050,100.03		368/501 (8 Select)
454,150,300.03		368/501 VRV & VRV SII (8 Select)
454,050,400.03		368 MPC (8 Select)
540,150,100.03		348 (10 Select)
540,150,300.03		348 VRV & VRV SII (10 Select)
456,050,100.13		276 (6 Select)
456,150,500.03		276 VRV & VRV SII (6 Select)
459,050,100.03	180 (5 Select)	
3		Protective Plate Door
	164,150,331.63	414/440/600
	165,150,331.33	276/348/368/501/522
	168,150,331.63	180
4		Rain Guard
	164,151,142.33	348/368/414/440/501/522/600
	169,050,342.23	180/276
5		Tie Rod
	900,502,510.41	348/368/440/501/522/600
6		Vertical Trim 20 degree Right Side Top
	801,805,620.51	7 1/2" (190.5mm) - 414/440/600
	Not Applicable	180/276/348/368/501/522
7		Vertical Trim Left Side
	801,805,470.21	76 7/16" (1941.51mm) - 414/440/600
	801,805,470.21	68 15/16" (1751.01mm) - 276/348/368/501/522
	801,805,470.21	53 9/16" (1368.49mm) - 180
8		Vertical Trim 20 degree Right Side Bottom
	801,805,620.51	24 3/8" (619.13mm) - 180/276/348/368/414/440/501/522/600
9		Horizontal Trim Top
	801,805,470.21	34 7/16" (874.71mm) - 348/368/414/440/501/522/600
	801,805,470.21	19 3/4" (501.65mm) - 180/276
10		Horizontal Trim Bottom
	801,805,470.21	34 3/8" (873.13mm) - 348/360/414/440/501/522/600
	801,805,470.21	25 9/16" (649.29mm) - 180/276
11		Select Panel Trim Bottom
	801,805,470.21	18 1/16" (458.79mm) - 180/276/348/368/414/440/501/522/600
12		Select Panel Trim Left
	801,805,470.21	49 1/16" (1246.19mm) - 180/276/348/368/414/440/501/522/600

Continued next page



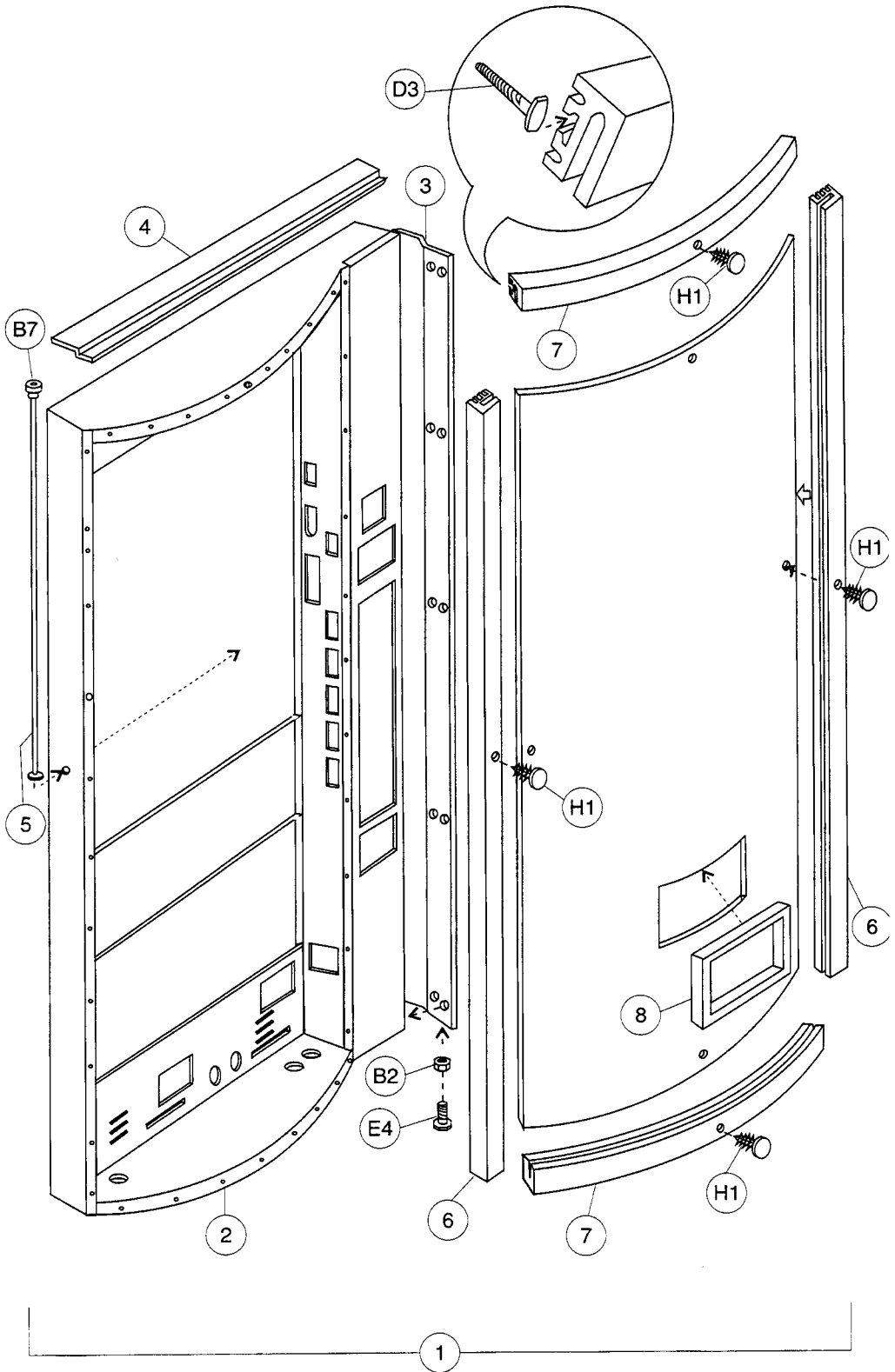
Main Door Exterior

Dr Pepper (D3)





Generic Round





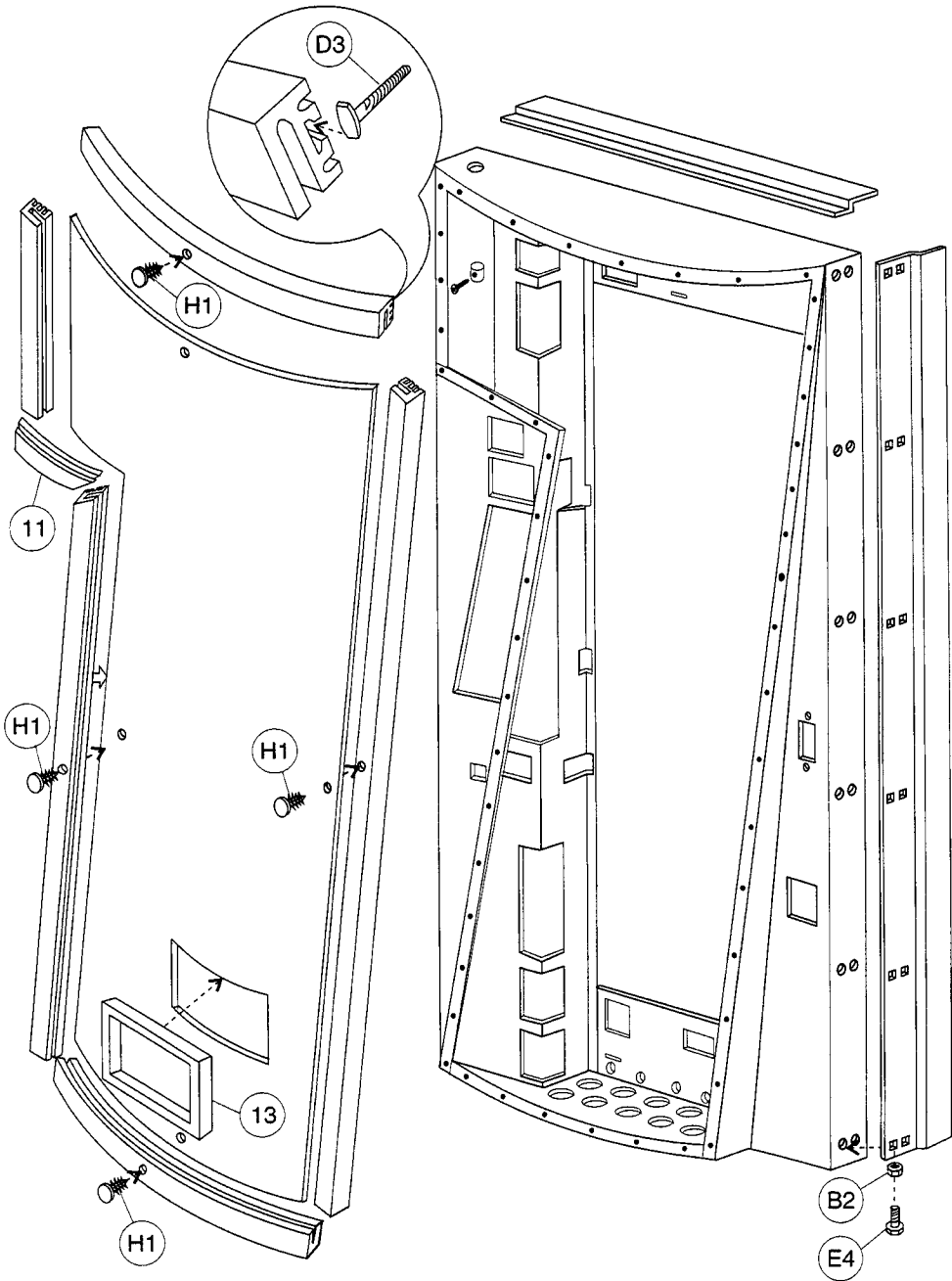
7Up (B7)

Item	Part Number	Part Name And Description By Model Number
1		Main Door Assembly (Specify Graphics & Harness)
	455,150,000.03	440/600 (8 Select)
	455,051,600.03	432 (6 Select)
	467,150,000.03	414 (10 Select)
	462,150,000.03	368/501 (8 Select)
	472,150,000.03	360 (6 Select)
	466,150,000.03	348 (10 Select)
	468,150,000.03	276 (6 Select)
	581,050,000.03	414 SII (10 Select)
	581,050,300.03	368 SII (8 Select)
	564,050,200.03	440 MPC (8 Select)
	563,050,100.03	368 MPC (8 Select)
	581,052,000.03	440/600 (8 Select) VRV
	581,052,400.03	440/600 (8 Select) VRV SII
	462,050,500.03	368/501 (8 Select) VRV
	466,250,000.03	348 (10 Select) VRV
	466,250,300.03	348 (10 Select) VRV SII
	462,250,000.03	276 (6 Select) VRV
	468,150,050.03	276 (6 Select) VRV SII
	581,050,600.03	414 (10 Select) VRV
581,050,700.03	414 (10 Select) VRV SII	
462,050,900.03	368 (8 Select) VRV SII	
2		Main Door Weld Assembly
	455,150,100.33	440/600 (8 Select)
	455,051,500.03	432 (6 Select)
	467,150,100.03	414 (10 Select)
	462,150,100.03	368/501 (8 Select)
	472,150,100.03	360 (6 Select)
	466,150,100.03	348 (10 Select)
	468,150,100.03	276 (6 Select)
	467,150,100.03	414 SII (10 Select)
	462,150,100.03	368 SII (8 Select)
	564,050,100.03	440 MPC (8 Select)
	563,050,200.03	368 MPC (8 Select)
	462,050,600.03	368 (8 Select) VRV
	462,250,100.03	276 (6 Select) VRV
	581,050,800.03	414 (10 Select) VRV
	581,052,100.03	440/600 (8 Select) VRV
466,250,100.03	348 (10 Select) VRV	
3		Protective Plate Door
	164,150,331.63	414/432/440/600
	165,150,331.33	276/348/360/368/501
4		Rain Guard
	164,151,142.33	348/360/368/414/432/440/501/600
	169,050,342.23	276
5		Tie Rod
	900,502,510.41	348/360/368/414/432/440/501/600
6		Vertical Trim 20 degree Left Side Top
	801,805,620.51	19 1/4" (488.95mm) - 414/432/440/600
	801,805,620.51	15 9/16" (395.29mm) - 276/348/360/368/501
7		Vertical Trim Left Side Bottom
	801,805,470.41	59 9/16" (1512.89mm) - 414/432/440/600
	801,805,470.41	55 3/4" (1416.05mm) - 276/348/360/368/501
8		Vertical Trim Right Side
	801,805,470.41	76 15/16" (1954.21mm) - 414/432/440/600
	801,805,470.41	69 7/16" (1763.71mm) - 276/348/360/368/501
9		Horizontal Trim Top
	801,805,470.41	34 1/4" (869.95mm) - 348/360/368/414/432/440/501/600
	801,805,470.41	25" (635mm) - 276
10		Horizontal Trim Bottom
	801,805,470.41	26 1/4" (666.75mm) - 348/360/368/414/432/440/501/600
	801,805,470.41	17" (431.8mm) - 276

Continued next page

# Main Door Exterior

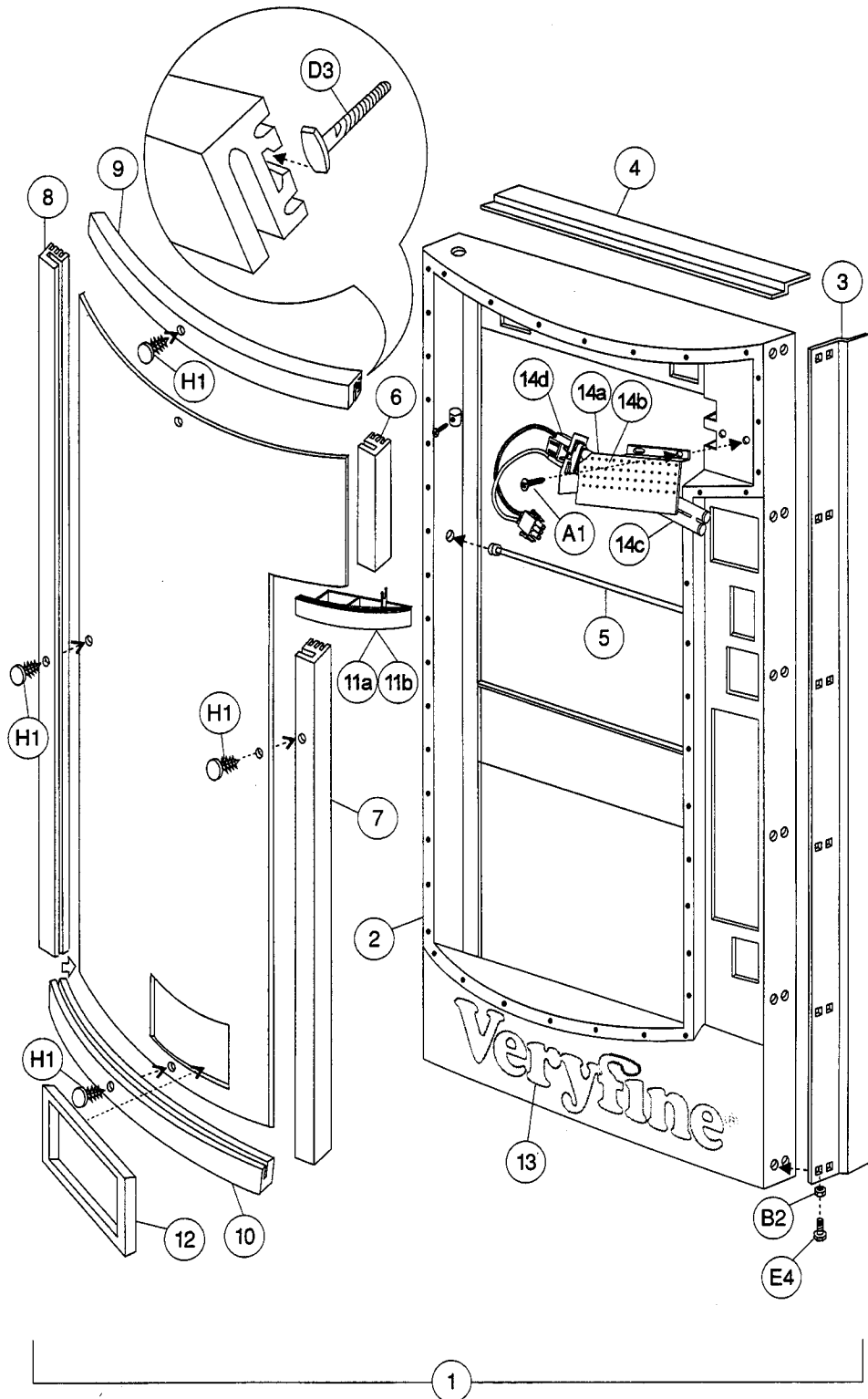
## 7Up (B7)





# Main Door Exterior

Veryfine Circular (0001-3194C0 to 0001-6169AS)







Main Door Exterior

Veryfine/RC Inverted "L" Circular

