

LA NECTA VENDING SOLUTIONS S.P.A. SI RISERVA A TERMINI DI LEGGE LA PROPRIETÀ DEL PRESENTE DISEGNO CON DIVIETO DI RIPRODURLO O DIVULGARLO SENZA SUA PREVIA AUTORIZZAZIONE.
 NECTA VENDING SOLUTIONS S.P.A. RESERVES THE RIGHT OF ABSOLUTE OWNERSHIP OF THIS DESIGN. ANY REPRODUCTION OR DISCLOSURE OF THE DESIGN WITHOUT PREVIOUS AUTHORIZATION IS STRICTLY FORBIDDEN.



MOUNTING INSTRUCTIONS FOR
24 VALIDATOR KIT

CODICE - CODE
599546000

FOGLIO - SHEET

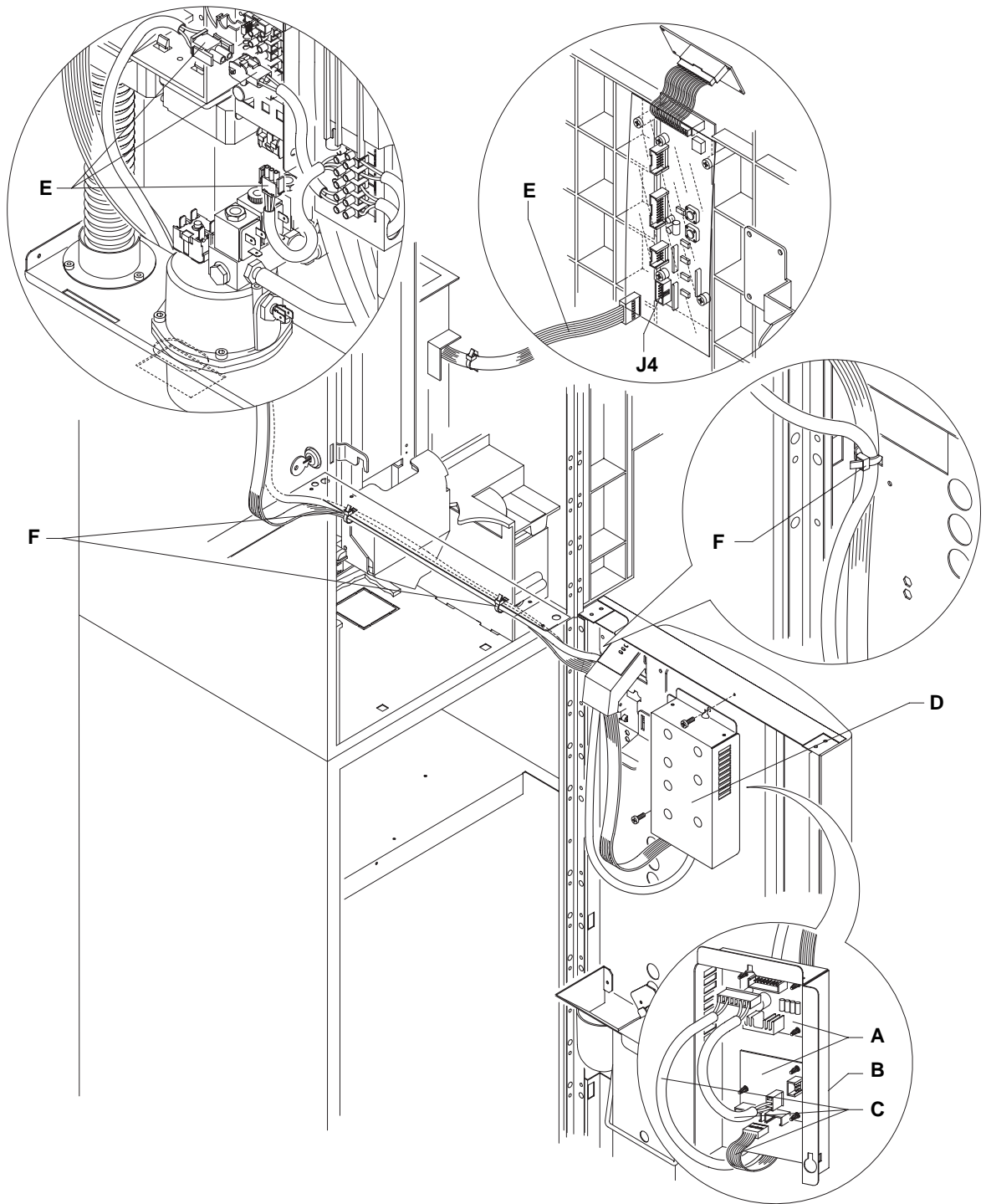
2/5

ENGLISH

COMPILATO - FILLED OUT
BONACINA

CONTROLLATO - TESTED
MONGUZZI

DATA - DATE
02-11-00



1. Fix the two electronic boards **(A)** that you will find in the kit, onto their carrier **(B)**.
2. Connect up the wiring-in **(C)** as shown in the figure.
3. Fit on the support template **(D)** as shown in the figure.
4. Connect wiring cables **(E)** up with **(J4)**.
5. Tie the wiring **(F)** up together, as shown in the figure.

DATA - DATE

AVANZAMENTO - FEED

FIRMA - SIGNATURE