

D Product Delivery

D.1 Disassemblies

D.1.1 Dismounting the Cup Carrier

- Open the left door.
- Slightly loosen the screws (4) then pull the cup carrier out of its support in the door (Fig. 1).
- Disassemble the cup carrier as shown in the illustration. Replace defective parts.
- Assemble the cup carrier outside the dispenser, tighten the spring (7) and insert the cup carrier into its support (top and bottom slots) in the left door (Fig. 1).
- Fasten the screws (4) (Fig. 1).

Legend for Fig. 1:

- 1 Locking pegs (2 pieces)
- 2 Screw (2 pieces)
- 3 Cup carrier
- 4 Screw
- 5 Washer
- 6 Washer
- 7 Axle for cup carrier
- 8 Spring
- 9 Nut
- 10 Drip grid
- 11 Drip grid tray
- 12 Left door

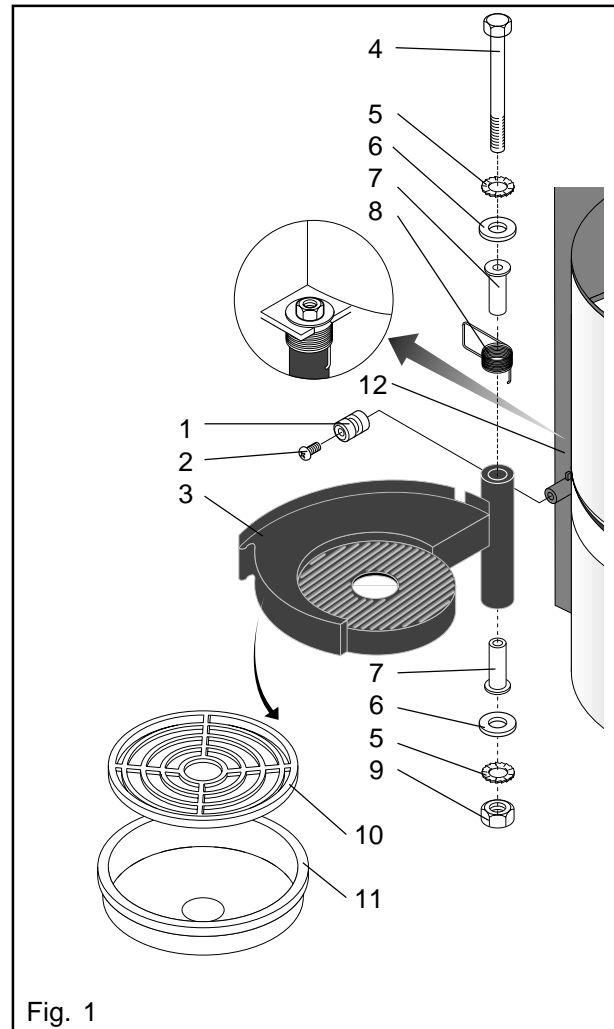
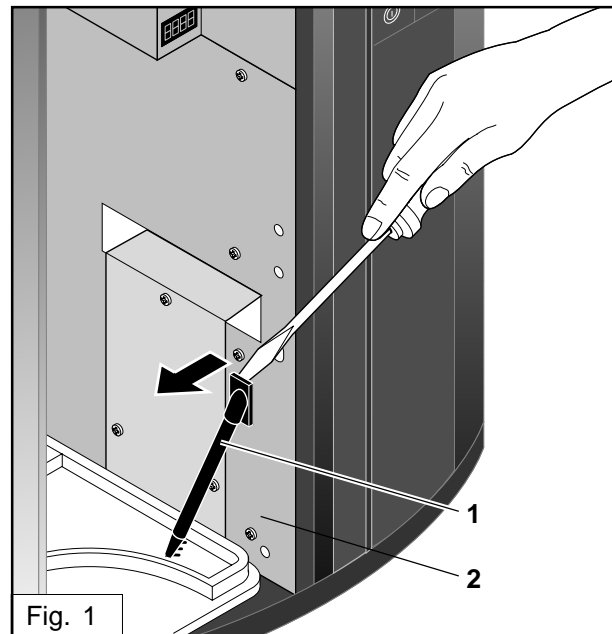


Fig. 1

D.1.2 Dismounting the Drip Tray Sensor

- Open the left door.
- Switch off the main switch, disconnect the power supply plug and close the water cock.
- Open the right door.
- Disconnect the cable harness plug of the drip tray sensor (1) from the circuit board on the right door.
- Place a screw driver between the support of the sensor (1) and the separating wall (2), then press the sensor out of the separating wall (Fig. 1).
- Mounting is done in reverse order.



D.1.3 Adjusting the optical sensors regarding the transmission ratio of the cups



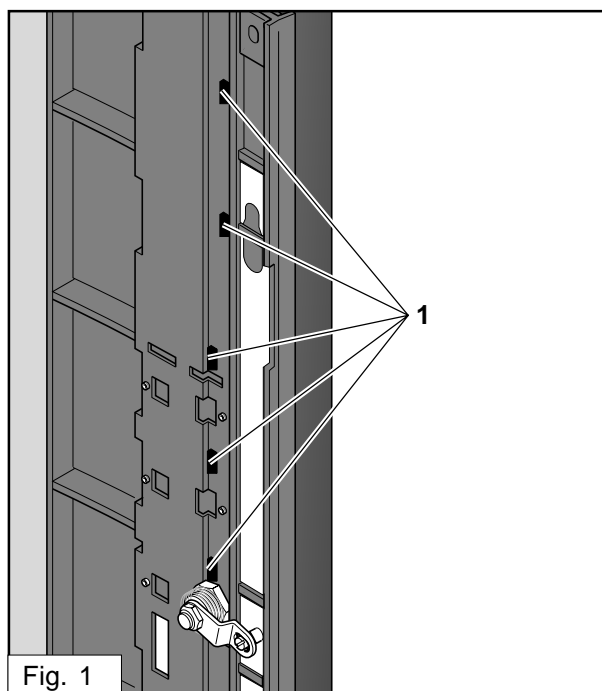
The sensors are set by the manufacturer to "active".

- Open the left door.
- Remove the drip tray.
- Access the programming mode. (see chap. 3)
- Close the left door.
- Place the cup on the cup carrier and check whether all LEDs at the operating panel are shining now.
- Adjust the sensors by means of a screwdriver when the left door is closed.

Adjustment: to the right
 to the left

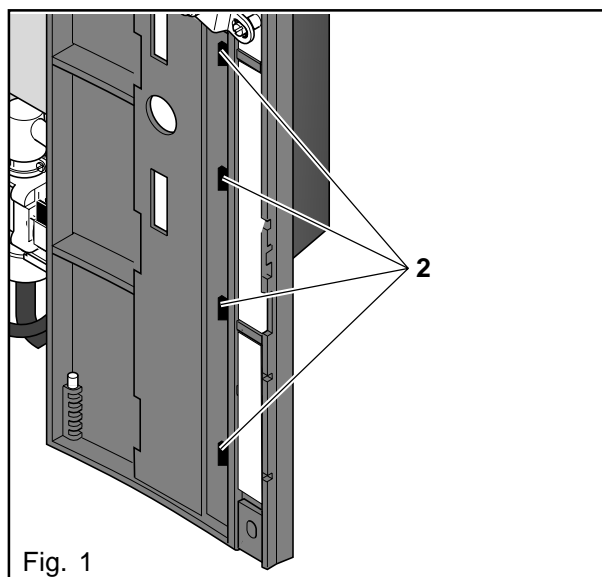
D.1.4 Dismounting the upper Operating Unit

- Open the left door.
- Switch off the main switch, disconnect the power supply plug and close the water cock.
- Open the right door.
- Dismount the electronic control (see chap. «Dismounting the electronic control»).
- Loosen the 5 snap hooks (1) of the operating unit and remove the operating unit (Fig. 1).
- Mounting is done in reverse order.



D.1.5 Dismounting the lower Operating Unit

- Open the left door.
- Switch off the main switch, disconnect the power supply plug and close the water cock.
- Open the right door.
- Loosen the 4 snap hooks (2) of the lower operating unit (Fig. 2).
- Mounting is done in reverse order.

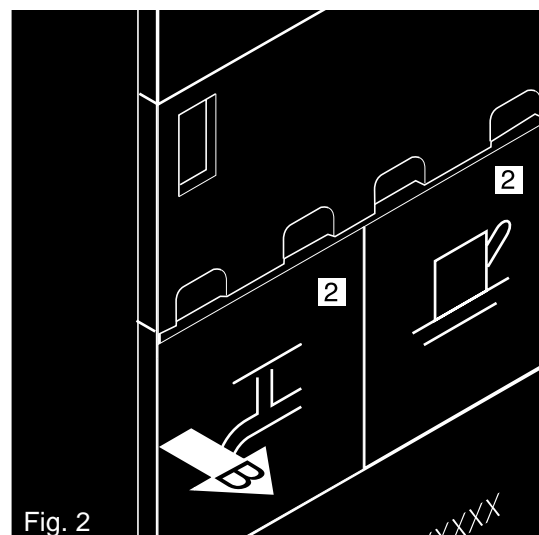
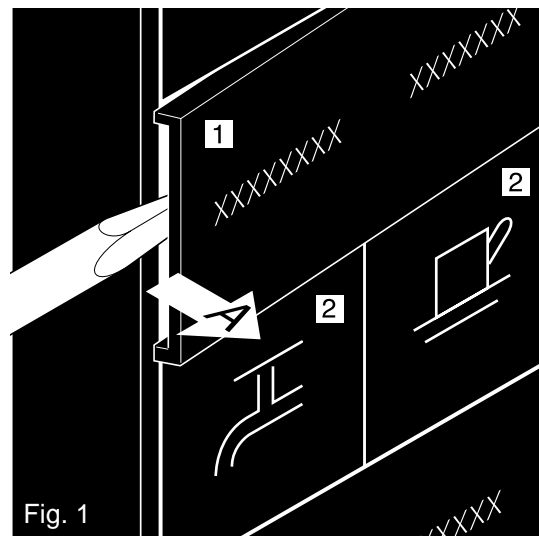


D.1.6 Dismounting the Label Plates and the Operating Buttons

- Slide a screw driver behind the label plate (1) and push the label plate out to the front (Fig. 1).
- When the label plate has been removed (1) the operating buttons (2) can be taken off (Fig. 2).



On re-installation please note that the operating buttons (2) are held by the label plates (1).



D.2 Functional Descriptions

D.2.1 Possibilities of Beverage Delivery / Manufacturer's Settings

Hot water: a) Continuous delivery
Hot water is delivered continuously as long as the corresponding button is pressed.

CAUTION: The hot water delivery is blocked for hygienic reasons if the water temperature drops below a certain value during delivery. If required this delivery blocking can be deactivated.

b) Portioned delivery (see below)

Manufacturer's setting: Continuous delivery

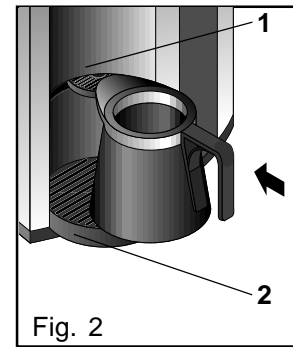
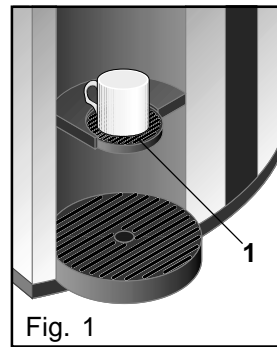
Beverages: Portioned delivery
The delivery is done in portions (the portion size can be programmed) when the corresponding buttons are actuated

Multibrew: Pot delivery: max. 9 cups
Optical sensors at the cup carrier detect automatically that the delivery shall be done into a pot.
In this case the cup carrier is swung into the dispenser.

D.2.2 Instructions for Operation

- The FB 55 can be used to fill pots and cups (mugs).
 - Sensors detect whether the beverage delivery shall be done into a cup or into a pot.
 - Beverage delivery is only done when there is a vessel in the delivery area. If required this function can be disabled for the delivery per cup and the pot delivery or only for the latter.
 - Operation with enabled sensor:
 - Beverage delivery is only started when there is a vessel in the delivery area.
 - Operation with disabled sensor:
 - It makes no difference for the beverage delivery whether there is a vessel in the delivery area or not.
- CAUTION:** Do not swing in the cup carrier without vessel when pressing the delivery button. If the sensor is disabled beverages are delivered after pressing the corresponding button even when there is no vessel in the delivery area. There is an increased risk of being scalded.
- The beverage strength and the cup volume can be programmed.
 - The hot water delivery can also be programmed. The options are portioned or continuous hot water delivery.
 - If a coin module or a card reader (optional) is installed beverage delivery is done after inserting coins/introducing a card and actuating the beverage delivery button. When the delivery is finished an acoustic signal is emitted.
 - Filter paper must be used when preparing tea. For the preparation of coffee the use of filter paper is optional. When using finely ground coffee, deposits could build up in the cup when not using filter paper.
 - Use only ground coffee or tea for vending machines. When changing over from coffee to tea install the corresponding filter plate for tea.
 - Close the water cock and disconnect the power supply plug when not using the dispenser for a longer time, e.g. over night or on the weekend.

D.2.3 Beverage Delivery





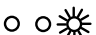





 	<p>Pre-selecting the beverage strength: (the corresponding LED shines)</p> <p>The beverage strength is set to normal and always returns to "normal" 20 sec. after the delivery of a beverage.</p>
 	<p>Strong hot beverage</p>
 	<p>Mild hot beverage</p>
 	<p>The dispenser is reset to normal beverage strength if the button is pressed again.</p> <p>During the brewing process the beverage strength cannot be changed.</p>

Fig. 3

Filling cups

1. Place a cup onto the cup carrier (1). The height of the cup carrier cannot be adjusted.
The max. cup height is 130 mm (Fig. 1).
2. Select the beverage strength (Fig. 3).
3. Actuate the delivery button.



Delivery of coffee



Delivery of mocha



Delivery of tea

WARNING: The brewing process will not stop immediately when the pot is removed after actuation of a delivery button. The brewing process for the portion in progress is completed. There is a risk of being scalded by the hot liquid!

WARNING: If the sensor is disabled beverages are delivered after pressing the corresponding button even when there is no vessel in the delivery area. There is an increased risk of being scalded.

Filling pots

1. Place a pot with the corresponding size onto the pot carrier (2) so that it pushes the cup carrier (1) into the dispenser. (Fig. 2)
2. Select the beverage strength (Fig. 3).
3. Select the number of cup portions.



Actuate the multibrew button as long as necessary to set the required number of cups.

The number of selected cups is shown in the display.
Max. pre-selection = 9 cup portions.



The preselection for the number of cups can be changed by pressing the multibrew button.

Starting number = Number of cup portions when switching on multibrew. To select a **lower** number of cup portions press the multibrew button as long as necessary until the required number is displayed:



The starting number of cups for multibrew can be programmed.

4. Actuate the delivery button.



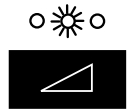
Delivery of coffee



Delivery of mocha



Delivery of tea



The beverage strength LED flashes during the brewing process.



Check the position of the cup if the brewing process does not start.



When the drip tray is full the portion in progress is delivered and multibrew delivery is interrupted. The display shows an error indication (E6) (see chap. Errors).

- When the pot is removed the cup carrier (1) automatically swings back into its original position. (Fig. 4)

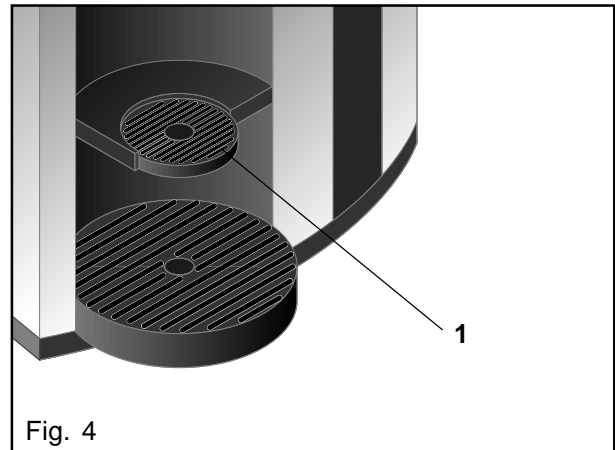


Fig. 4

D.2.4 Hot Water Delivery

WARNING: The hot water delivery does not stop immediately when the pot is removed after the delivery button has been pressed. The portion in progress is completed. There is a risk of being scalded by the hot liquid!

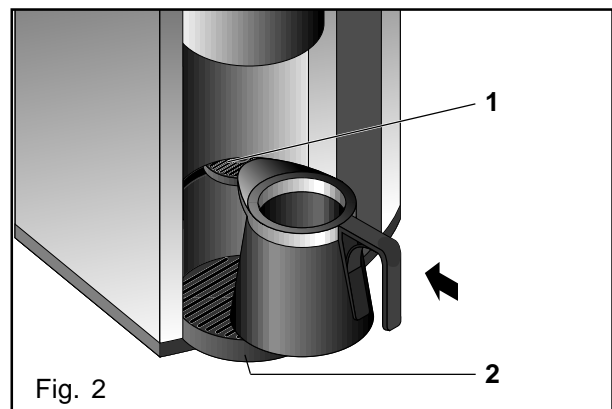
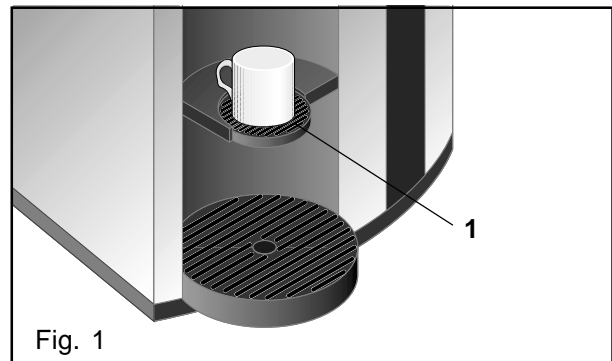


The hot water delivery can be programmed. The options are continuous or portioned delivery.

CAUTION: Select the corresponding cup size for portioned delivery.



Continuous hot water delivery can result in a low water temperature in the boiler (display LO). The dispenser is blocked until the display disappears (normal boiler temperature has been reached). For continuous delivery release the button when LO is displayed. When LO is no longer displayed press the button again.



1. *To fill a cup:*
Place a cup onto the cup carrier (1). (Fig. 1)

2. *To fill pots:*
Place a pot of the corresponding size onto the pot carrier (2) so that it pushes the cup carrier (1) into the dispenser. (Fig. 2)

Continuous hot water delivery



Keep the button pressed until the required delivery quantity has been reached.

3. Continuous hot water delivery



Keep the button pressed until the required delivery quantity has been reached.

Portioned hot water delivery



Press the button once.

Portioned hot water delivery



Press the button until the required number of portions is displayed.



Press the button once.