

TECHNICAL INFORMATION

TYPE NO FB/IN/ES 5100	TYPE Freshbrew/Instant/Esspresso	T.I.-NO ... 05/01				
SERIAL NUMBERS AFFECTED From machine number 498424	ISSUED BY Documentation/ Wittenborg Odense					
SUBJECT Whipper housings with 45° angled outlet	ISSUED FOR (X): <table border="1"> <tr> <td>Action</td> <td></td> </tr> <tr> <td>Information</td> <td><input checked="" type="checkbox"/></td> </tr> </table>		Action		Information	<input checked="" type="checkbox"/>
Action						
Information	<input checked="" type="checkbox"/>					

HEADLINES

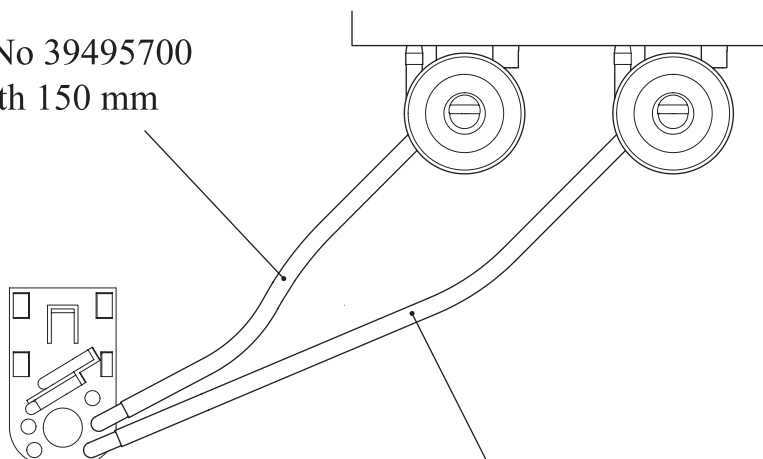
- 2 new whipper housings with angled outlet (45°) instead of whipper housings with a straight outlet (90°).

- **COMPONENTS CONCERNED**

Shelf for whipper units

FB/IN/ES 5100 - Standard version

Art. No 39495700
Length 150 mm



Art. No 39495700
Length 255 mm

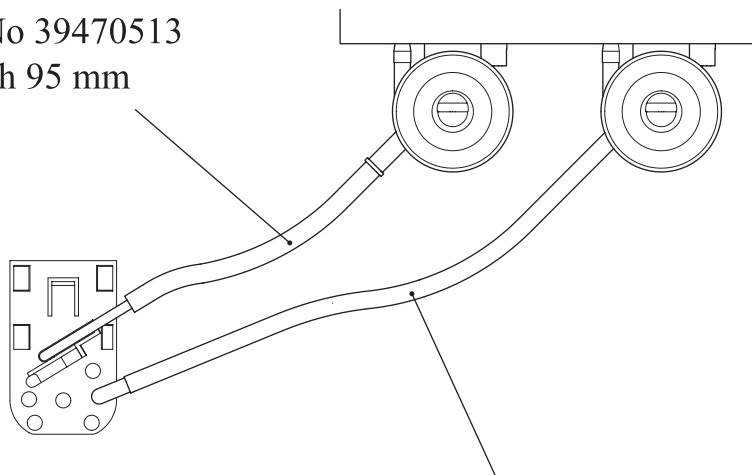
01.03.01 DATE :	Charlotte Schreiner PRODUCED BY :	01.03.01 DATE :	Poul Erik Kirkegaard CHECKED BY :
--------------------	--------------------------------------	--------------------	--------------------------------------

TECHNICAL INFORMATION

TYPE NO FB/IN/ES 5100	TYPE Freshbrew/Instant/Espresso	T.I.-NO 05/01
---------------------------------	---	-------------------------

IN 5100 - Crème Kit

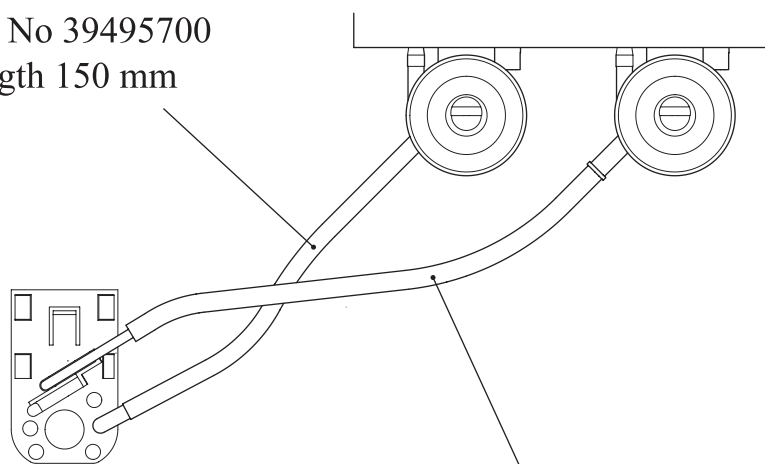
Art. No 39470513
Length 95 mm



Art. No 39495700
Length 255 mm

ES 5100 - Crème Kit

Art. No 39495700
Length 150 mm



Art. No 39470513
Length 215 mm

TECHNICAL INFORMATION

TYPE NO FB/IN/ES 5100	TYPE Freshbrew/Instant/Esspresso	T.I.-NO 05/01
---------------------------------	--	-------------------------

- **MODIFICATION**

The two whipper housings of the shelf for whipper units have been replaced by a new type of whipper housing with a 45° angled outlet.

- **REASON**

The two whipper housings have been provided with a 45° angled outlet in order to prevent the hose to make a kink thus causing the water and ingredients to block up in the mixer housing.

- **CONTACT PERSON**

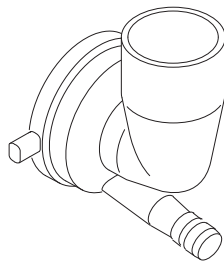
Technical

Poul Erik Kirkegaard

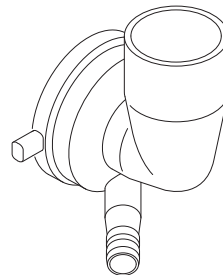
Spare parts

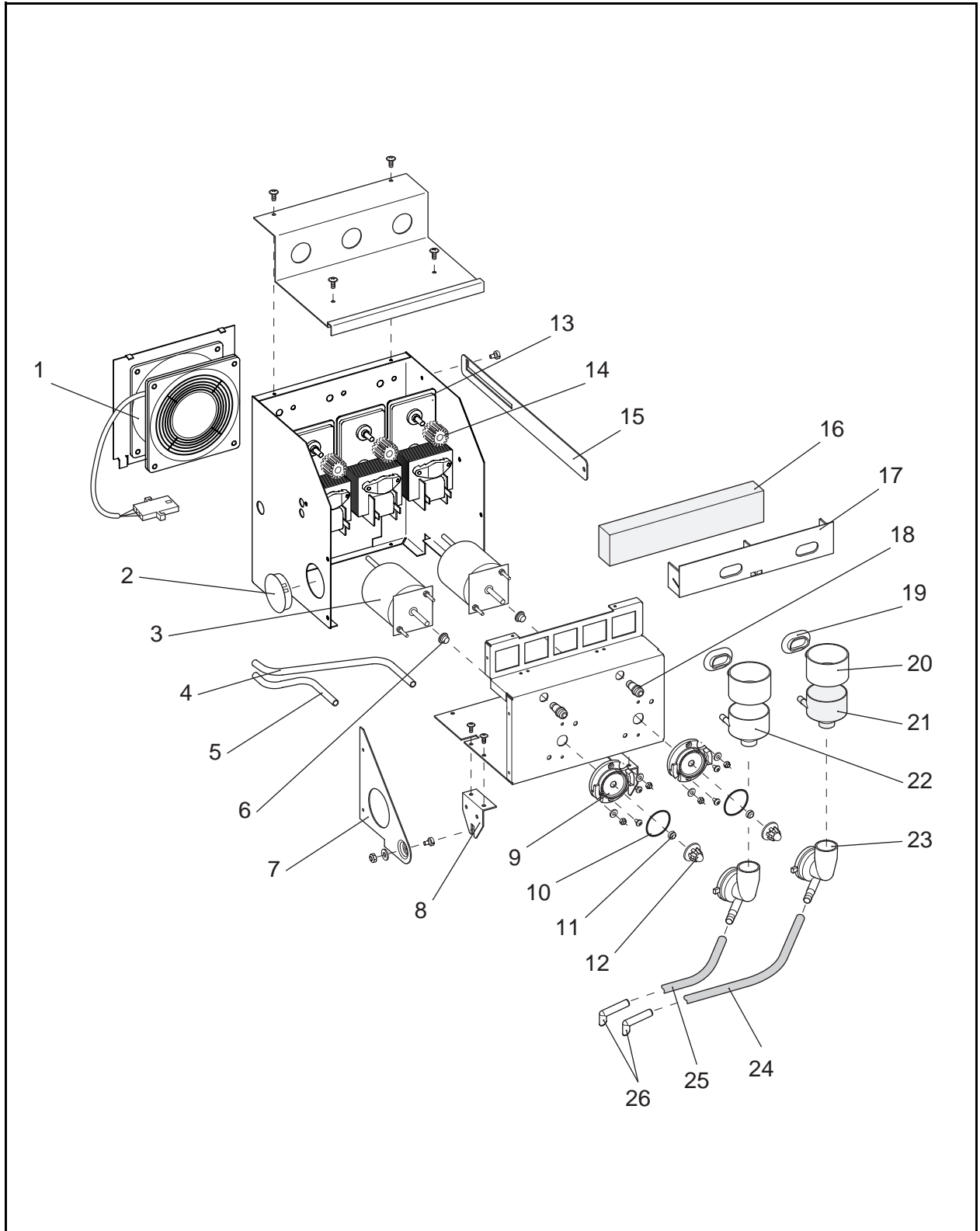
Customer Service

Straight outlet (90°)
Article No 39411400



45° angled outlet
Article No 39582600



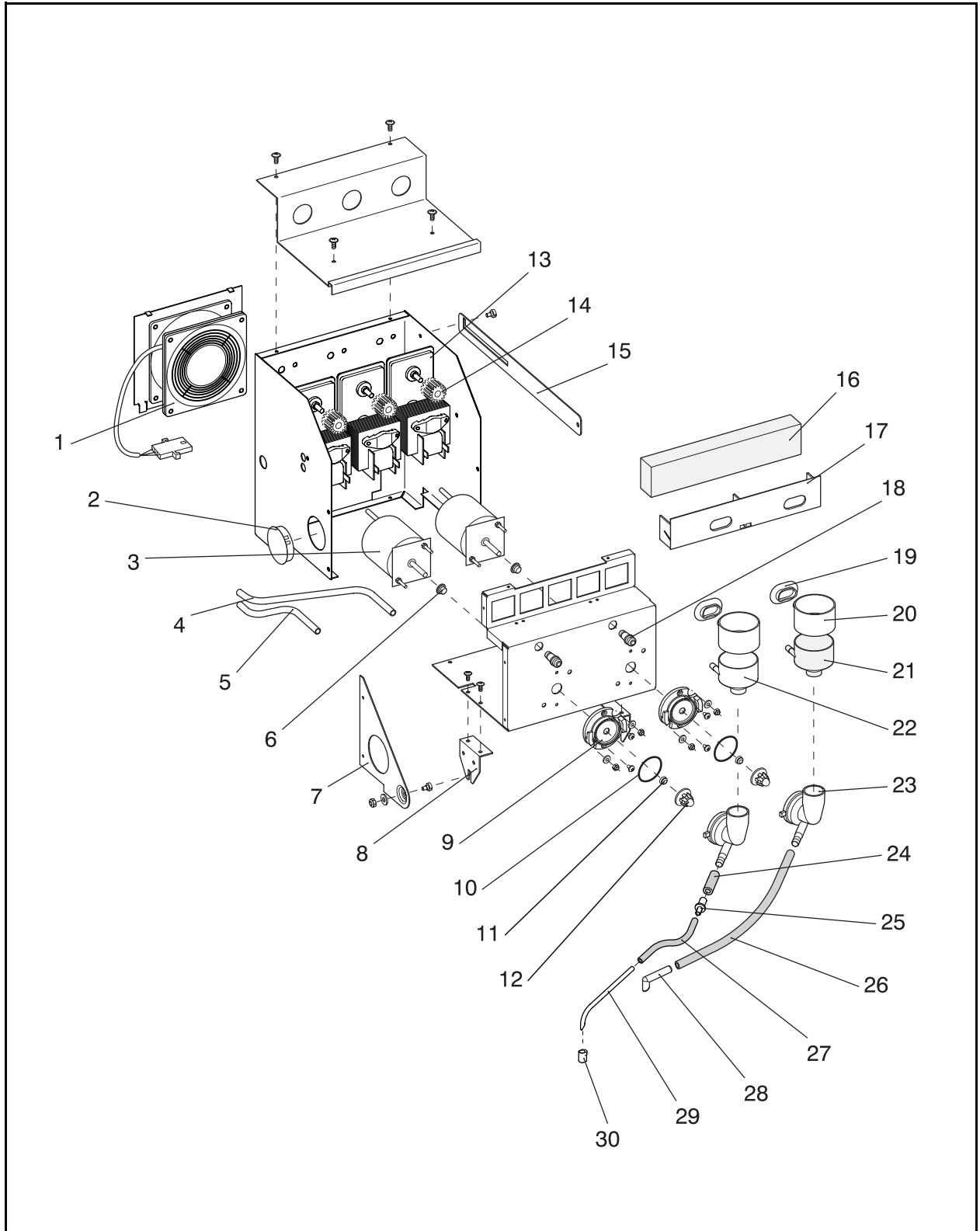


Ingredient motor shelf
 Tisch für Ingredienzmotoren
 Ingrediensmotorbord
 Table moteurs ingrédients

SPARE PART LIST

MODEL: FB5100

Index	Partno.	Quant.	Unit	Description
01	75198600	1	PC	FAN, MOUNTED
02	41007505	1	PC	HEYCO PLUG D=44,5
03	41521600	1	PC	WHIPPER MOTOR
	09084010	2	PC	NUT M4
	09122010	2	PC	TOOTHED WASHER
04	30693500	1	PC	RINSE PIPE, LONG
05	30880100	1	PC	RINSE PIPE, SHORT
06	29223000	1	PC	BUSHING
07	30887200	1	PC	SUSPENSION F INGREDIENT SHELF
08	30690100	1	PC	HINGE, INGREDIENT MOTOR SHELF
09	39400302	1	PC	BASE F WH. HOUSE W HOLE
	09026711	2	PC	SCREW RTFX M4X8
10	39400634	1	PC	O-RING
11	39400401	1	PC	V-RING
12	39442000	1	PC	WHIPPER BLADE
13	41529200	1	PC	GEAR MOTOR
14	39418900	1	PC	PINION
15	30875400	1	PC	LOCK FOR INGREDIENT SHELF
	00001008	1	PC	COLLAR SCREW 4M X 6
16	39478803	1	PC	FILTER, 55 X 20 X 225
17	39649800	1	PC	BOX F. EXHAUST
18	35137500	1	PC	CONNECTING SLEEVE
19	39561600	1	PC	GASKET
20	35127800	1	PC	FUNNEL EXTENSION
21	35151101	1	PC	MIXING FUNNEL, LARGE HOLE
22	35127700	1	PC	MIXING FUNNEL W. SMALL HOLE
23	39582600	1	PC	WHIPPER HOUSING
24	39495700	0.255	MT	SILICONE HOSE GREY
25	39495700	0.150	MT	SILICONE HOSE GREY
26	39571500	1	PC	OUTLET TUBE

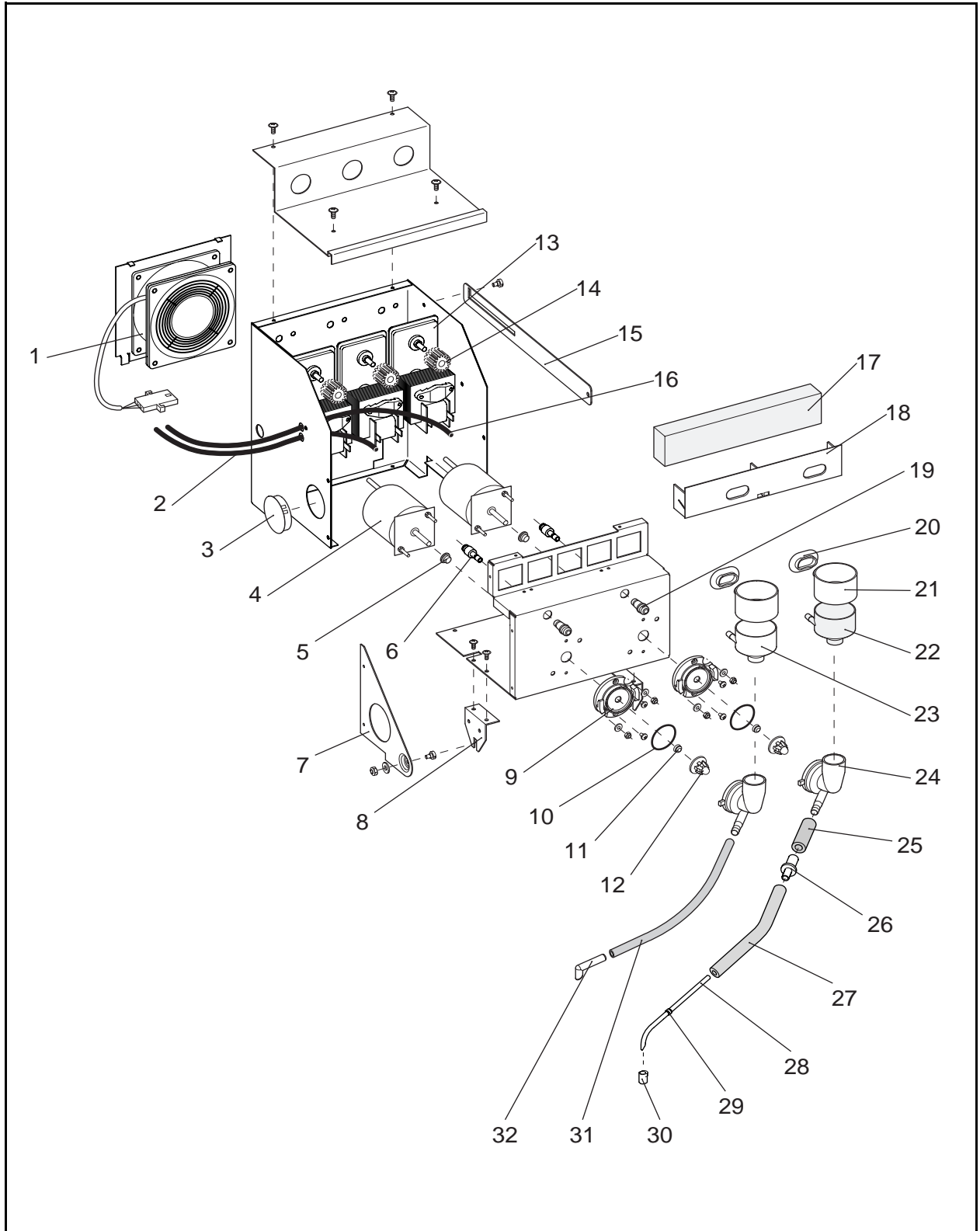


Ingredient motor shelf
 Tisch für Ingredienzmotoren
 Ingrediensmotorbord
 Table moteurs ingrédients

SPARE PART LIST

MODEL: IN5100

Index	Partno.	Quant.	Unit	Description
01	75198600	1	PC	FAN, MOUNTED
02	41007505	1	PC	HEYCO PLUG D=44,5
03	41521600	1	PC	WHIPPER MOTOR
	09084010	2	PC	NUT M4
	09122010	2	PC	TOOTHED WASHER
04	30693500	1	PC	RINSE PIPE, LONG
05	30880100	1	PC	RINSE PIPE, SHORT
06	29223000	1	PC	BUSHING
07	30887200	1	PC	SUSPENSION F INGREDIENT SHELF
08	30690100	1	PC	HINGE, INGREDIENT MOTOR SHELF
09	39400302	1	PC	BASE F WH. HOUSE W HOLE
	09026711	2	PC	SCREW RTFX M4X8
10	39400634	1	PC	O-RING
11	39400401	1	PC	V-RING
12	39442000	1	PC	WHIPPER BLADE
13	41529200	1	PC	GEAR MOTOR
14	39418900	1	PC	PINION
15	30875400	1	PC	LOCK FOR INGREDIENT SHELF
	00001008	1	PC	COLLAR SCREW 4M X 6
16	39478803	1	PC	FILTER, 55 X 20 X 225
17	39649800	1	PC	BOX F. EXHAUST
18	35137500	1	PC	CONNECTING SLEEVE
19	39561600	1	PC	GASKET
20	35127800	1	PC	FUNNEL EXTENSION
21	35151101	1	PC	MIXING FUNNEL, LARGE HOLE
22	35127700	1	PC	MIXING FUNNEL W. SMALL HOLE
23	39582600	1	PC	WHIPPER HOUSING
24	39495700	0.065	MT	SILICONE HOSE GREY
25	39535100	1	PC	CONNECTING LINK
26	39495700	0.255	MT	SILICONE HOSE GREY
27	39470513	0.095	MT	SILICONE HOSE
28	39571500	1	PC	OUTLET TUBE
29	39476100	0.080	MT	NYLON TUBE Ø3/Ø5
30	39583400	1	PC	REDUCING PLUG



Ingredient Motor Shelf
 Tisch für Ingredienzmotoren
 Ingrediensmotorbord
 Table moteurs ingrédients

SPARE PART LIST

MODEL: ES5100

Index	Partno.	Quant.	Unit	Description
01	75198600	1	PC	FAN, MOUNTED
02	39476100	0.300	MT	NYLON TUBE Ø3/Ø5
03	41007505	1	PC	HEYCO PLUG D=44,5
04	42288200	1	PC	WHIPPER MOTOR
05	29223000	1	PC	BUSHING
06	39308302	1	PC	QUICK COUPLING, Ø5
07	30887200	1	PC	SUSPENSION F INGREDIENT SHELF
08	30691000	1	PC	WATER TANK
09	39400302	1	PC	BASE F WH. HOUSE W HOLE
	09026711	2	PC	SCREW RTFX M4X8
10	39400634	1	PC	O-RING
11	39400401	1	PC	V-RING
12	39442000	1	PC	WHIPPER BLADE
13	41529200	1	PC	GEAR MOTOR
14	39418900	1	PC	PINION
15	30875400	1	PC	LOCK FOR INGREDIENT SHELF
	00001008	1	PC	COLLAR SCREW 4M X 6
16	39476100	0.390	MT	NYLON TUBE Ø3/Ø5
17	39478803	1	PC	FILTER, 55 X 20 X 225
18	39649800	1	PC	BOX F. EXHAUST
19	35137500	1	PC	CONNECTING SLEEVE
20	39561600	1	PC	GASKET
21	35127800	1	PC	FUNNEL EXTENSION
22	35151101	1	PC	MIXING FUNNEL, LARGE HOLE
23	35127700	1	PC	MIXING FUNNEL W. SMALL HOLE
24	39582600	1	PC	WHIPPER HOUSING
25	39470505	0.040	MT	SILICONE HOSE
26	39535100	1	PC	CONNECTING LINK
27	39470513	0.215	MT	SILICONE HOSE
28	39476100	0.080	MT	NYLON TUBE Ø3/Ø5
29	39376901	1	PC	LOCKING RING
30	39583400	1	PC	REDUCING PLUG
31	39495700	0.150	MT	SILICONE HOSE GREY
32	39571500	1	PC	OUTLET TUBE