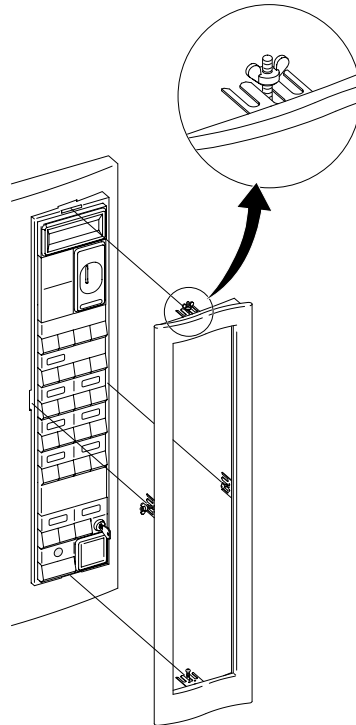


TECHNICAL INFORMATION

TYPE NO FB/IN/ES 5100	TYPE Freshbrewer/Instant/Espresso	T.I.-NO FB/IN/ES..10/00				
SERIAL NUMBERS AFFECTED From machine number 492094	ISSUED BY Documentation/ Wittenborg Odense					
SUBJECT Machines delivered without colour panel	ISSUED FOR (X): <table border="1" style="width: 100%; border-collapse: collapse;"> <tr> <td>Action</td> <td style="width: 20px;"></td> </tr> <tr> <td>Information</td> <td style="text-align: center;">x</td> </tr> </table>		Action		Information	x
Action						
Information	x					

COMPONENT CONCERNED

- Thumb nuts, washers and screws for fastening the colour panel.



MODIFICATION

- For machines delivered without the colour panel, the thumb nuts, washers and screws are now packed into the waste bucket.

REASON

- Until now the a.m. parts were mounted on the machine, but during transport the parts fell off.

CONTACT PERSON

- Charlotte Vilmand

27.09.00	Charlotte Schreiner	27.09.00	Charlotte Vilmand
DATE :	PRODUCED BY :	DATE :	CHECKED BY :