

Service Message

Dear Colleagues

I hereby send you Service Message regarding model 5100 change of fan.

If you have any comments please do not hesitate to contact either me or the reference persons listed.

Production Start: week 11-2000

First Machine No. 481.538

Best Regards
Wittenborg A/S

Jan Sørensen
Product Line Manager

CONTENTS	PAGE
New Fan	1-2

New FAN

We have introduced a new fan in the ingredient table.

- *Faster changing of fan servicetime decreased with 75 %*
- *Noise level is 25 % lower*
- *Airflow increased with 25 CFM*

Today the fan is mounted horisontal under the ingredient table. The new fan is mounted vertical on the back of the ingredient table.

To change the new fan is simple – tilt the ingredient table forward and pull out the fan from behind the ingredient table.

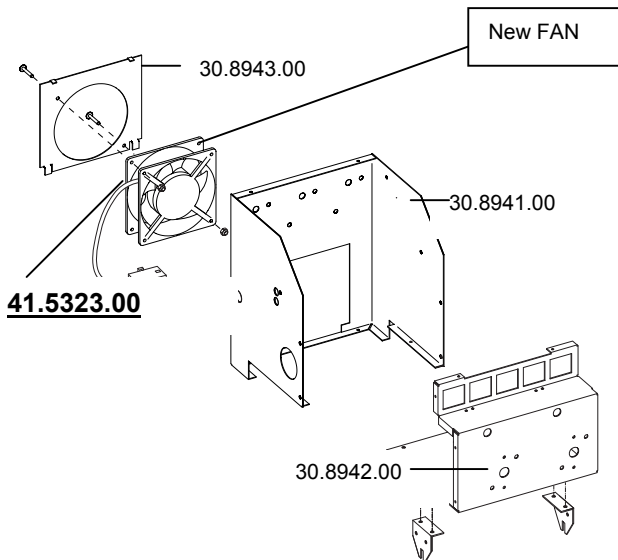
The fan is mounted to a sheetmetal plate with 2 screws, the sheet metal plate fits in 2 recesses and 2 holes on the back of the ingredient table.

Backwards Compatible:

No

Old fan can still be ordered as sparepart
42.2032.00

Drawing:



Mounting plate for fan	30.8943.00
2x M4x12	09 0267.13
2x M4	09.0840.10
Fan	41.5323.00
Harness	42.3821.00
Frame for powder board	30.8941.00
Front part motorboard	30.8942.00
2x hindge	30.6901.00

Contactperson: *Kasper I. Soerensen*

