

# WITTENBORG

## TECHNICAL INFORMATION

|  |  |                              |
|--|--|------------------------------|
| TYPE NO<br><b>ES 5100</b>                                    | TYPE<br><b>Espresso Machine</b>  | T.I.-NO<br><b>ES.. 07/00</b> |
| SERIAL NUMBERS<br>AFFECTED<br><b>From machine no 489.134</b> | ISSUED BY<br><b>Documentation/<br/>Wittenborg Odense</b>   |                              |
| SUBJECT<br><b>Improvements to ES5100</b>                     | ISSUED FOR (X):<br>Action <input checked="" type="checkbox"/><br>Information <input checked="" type="checkbox"/> |                              |

### COMPONENTS CONCERNED

#### Changed parts

- Software
- Outlet Pipe for Sugar - part No 39654100

#### New parts:

- Arm for cup carrier - part No 39274500
- Reducing plug for ES outlet - part No 39584300
- Hose from pump to flowmeter (l=750 mm) - part No 39496701

#### Obsolete part:

- Arm for cup carrier - part No 30742300
- Hose from pump to flowmeter (l=950 mm) - part No 39470501

### MODIFICATION:

- The software has been changed solving the problems
  1. Brewer blocking over weekend, when the machine is not in use.
  2. Rinse cycle with cleaning agent
  3. Low flow detection.
- The design of the outlet pipe for sugar has been improved
- The arm for cup carrier has been reduced by 15 mm for cup.
- A reducing plug has been mounted in the hole for the espresso outlet spout in the holder for outlet.
- The material of the hose from pump to flowmeter has been changed into a softer material to reduce the vibrations

"Release note" enclosed.

P. 01/04

|                    |                               |                    |                               |
|--------------------|-------------------------------|--------------------|-------------------------------|
| 28.08.00<br>DATE : | Grete Jensen<br>PRODUCED BY : | 28.08.00<br>DATE : | William Lisby<br>CHECKED BY : |
|--------------------|-------------------------------|--------------------|-------------------------------|

## TECHNICAL INFORMATION

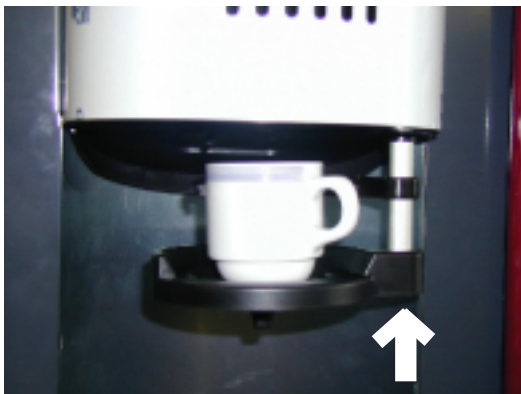
|                           |                                 |                         |
|---------------------------|---------------------------------|-------------------------|
| TYPE NO<br><b>ES 5100</b> | TYPE<br><b>Espresso Machine</b> | T.I.-NO<br><b>07/00</b> |
|---------------------------|---------------------------------|-------------------------|

### REASON:

- New software to solve problems. (see enclosed "release note").
- The outlet pipe for sugar has been provided with a collar to show how far the hose has to be mounted on the pipe. Simultaneously the angle towards the tube has been straightened a bit to prevent sugar from building up inside tube.



- When using small cups, the cup carrier can be pushed higher upwards in order to prevent sugar spilling around the cup.



# TECHNICAL INFORMATION

|                           |                                 |                         |
|---------------------------|---------------------------------|-------------------------|
| TYPE NO<br><b>ES 5100</b> | TYPE<br><b>Espresso Machine</b> | T.I.-NO<br><b>07/00</b> |
|---------------------------|---------------------------------|-------------------------|

- As the dispensing angle to a small cup caused the coffee flow to be directed outside the cup, a reducing plug for the holder for outlet pipes has implemented. The plug is fitted in the hole for the espresso coffee outlet.

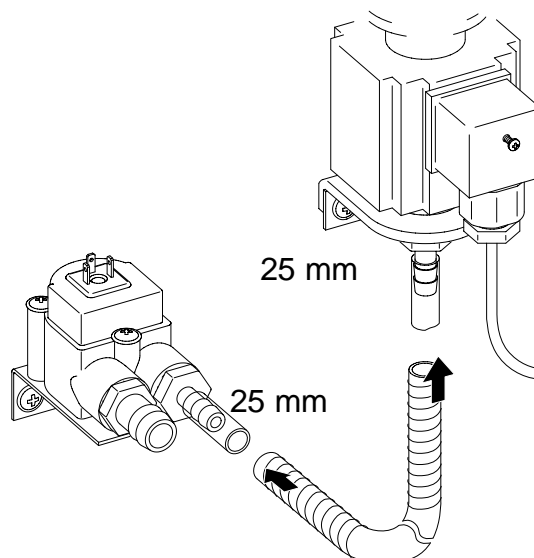
The plug straightens up the spout for the espresso outlet in such a way that the coffee is directed vertically down into the cup.



- The material of the hose from the pump to the flowmeter has been changed into a softer material in order to reduce the vibrations in relation with water dosing. This should prevent that less espresso water than the actual setting is dosed.

## REPLACEABILITY

- The reducing plug can simply be removed, if a oblique coffee outlet is wanted.
- For replacement of hose from pump to flowmeter:
  - cut old hose, leaving 25 mm in both ends to form couplings for new hose.
  - mount new hose on the 25 mm parts of the old hose left on the hose couplings.



**TECHNICAL INFORMATION**

|                           |                                 |                         |
|---------------------------|---------------------------------|-------------------------|
| TYPE NO<br><b>ES 5100</b> | TYPE<br><b>Espresso Machine</b> | T.I.-NO<br><b>07/00</b> |
|---------------------------|---------------------------------|-------------------------|

- For existing machine a modification kit has been made.

This kit consists of:

- Arm
- Hose
- EPROM
- Reducing plug
- Outlet pipe for sugar

Part No: 75197800

**CONTACT PERSON:**

Software:

Kim Dalgaard Andersen

Technical:

William Lisby

Spare Parts

Customer Service

Dear Sir

We have released new software for ES5100. The release includes a new version of the following program(s):

| <b>Program Type</b> | <b>Version</b> | <b>Check Sum</b> |
|---------------------|----------------|------------------|
| VMC-5100            | ES400331       | 3579             |

If the release includes more than one program type, all the program types in the release must be replaced when replacing programs in installed machines.

The below procedure must be followed when making copies.

1. The check sum of the master E-prom must be checked before copies are made.
2. For each set of copies which is programmed at a time, the check sum for at least one of the copies must be checked.

**ES 5100 software:****1. Brewer blocking over weekend, when the machine is not in use.**

To solve this problem the software has been modified as follows. The brewer will run a complete brew cycle without water and coffee, when the machine has been in standby for 4 hours. This is repeated each 4 hours in standby. By doing this air will be pressed through the filter plate and the outlet restriction. This prevents that coffee is left in the filter plate and the outlet restriction to dry out and thus blocking the brewer.

The time setting of 4 hours can be changed by reading in the following VIDTS record:

**MC5\*LAST\*33@0\*\*\*\*\***(interval in hour) legal values = 0,1,2, ....

(if set to 0 the air rinse cycle runs for the first time during start up, the interval is 1 hour. The upper limit is 65000 hours, setting this value will in praxis turn the function off).

**Ex: MC5\*LAST\*33@0\*\*\*\*\*2** sets the interval to 2 hours

**2. Rinse cycle with cleaning agent**

The function "Rinse brewer with stop" has now been released for the ES 5100. It is placed in the Rinse menu, at the same place as the corresponding function in the FB 5100. If the function fails due to low or no water flow the error message "Rinse failed! restart !" is shown in the display and the function is aborted. In this case the brewer has to be cleaned manually and the rinse cycle has to be restarted in order to ensure that all the remains of the cleaning agent is flushed away from the brewer.

**3. Low flow detection**

The low flow detection has been changed in order to make it less sensitive. Low flow detection is now triggered if the flow is less than 1 ml/sec for 5 seconds. In the previous version it was less than 1 ml/sec for 1 sec.

Yours sincerely  
Wittenborg A/S

Kim Dalgaard Andersen