

## TECHNICAL INFORMATION

TYPE NO <b>FB55</b>	NAME <b>Freshbrewer</b>	T.I.-NO <b>01/00</b>
SERIES <b>01.03. 2000</b>	DIAGRAM	ISSUED BY <b>T.I. Department</b>
SUBJECT <b>Door left DE</b>		T.I.-GROUP <b>Development</b>
		T.I.-CATEGORY

<u>Components concernd:</u>	<u>Part no.</u>	<u>Designation</u>
	- 35172800/	
	- 35172801	Door left, ass. DE consisting of:
<b>No longer available:</b>	- <b>35171500</b>	<b>Door left reinforced, DE</b>
<b>Therefore new:</b>	<b>01/a1 36012700</b>	<b>Door left, DE (Fig. 1)</b>
	- 35170500	Locking peg
<b>No longer available:</b>	- <b>A-0844</b>	<b>Screw EJOT 30x8</b>
<b>Therefore new:</b>	<b>02/a1 35188300</b>	<b>Screw EJOT 30x10 (Fig. 1)</b>
	- 39571400	Tray for drip grid
	- 39571200	Drip grid
	- 35196200	Label Warning NL, F, D, GB, DK, S
	- 35172100	Cover for door DE
	- 77382102	Label DECS (not for 35172801)
<b>No longer available:</b>	- <b>A-0078</b>	<b>Tapping screw 4,8x16</b>
<b>Therefore new:</b>	<b>03/a1 35215200</b>	<b>Screw EJOT 40x16 (Fig. 1)</b>
<b>New:</b>	<b>04/a1 A-0151</b>	<b>Washer 5,3mm (Fig. 1)</b>
	- 35179200	Cup carrier, ass. consisting of:
	- 35172300	Spring for cup carrier
	- 35177000	Mirror for cup sensor
	- A-0104	Hexagon nut M5
	- A-0137	Lock washer 5,3 mm
	- A-0151	Washer 5,3 mm
	- 35170300	Axle for cup carrier
	- 35205700	Screw M5x65
	- 35170800	Cup carrier

### MODIFICATION

From above mentioned machine number on a new door is mounted. Additionally some screws (see fig. 2, 3 ) are replaced.

### NOTE

Ensure the additional washer (4) between the upper edge of the door and the cover is mounted (refer to drawing 1).

ÄA 4600

DATE :23.02.00    PRODUCED BY :	DATE :23.02.00    CHECKED BY :
---------------------------------	--------------------------------

# WITTENBORG

## TECHNICAL INFORMATION

TYPE NO <b>FB55</b>	NAME <b>Freshbrewer</b>	T.I.-NO <b>01/00</b>
SERIES <b>01.03. 2000</b>	DIAGRAM	ISSUED BY <b>T.I. Department</b>
SUBJECT <b>Door left DE</b>		T.I.-GROUP <b>Development</b>
		T.I.-CATEGORY

### CONTACT PERSON

Technical questions:  
Nils Stöwahse

Spare Part Ordering:  
Tanja Lange

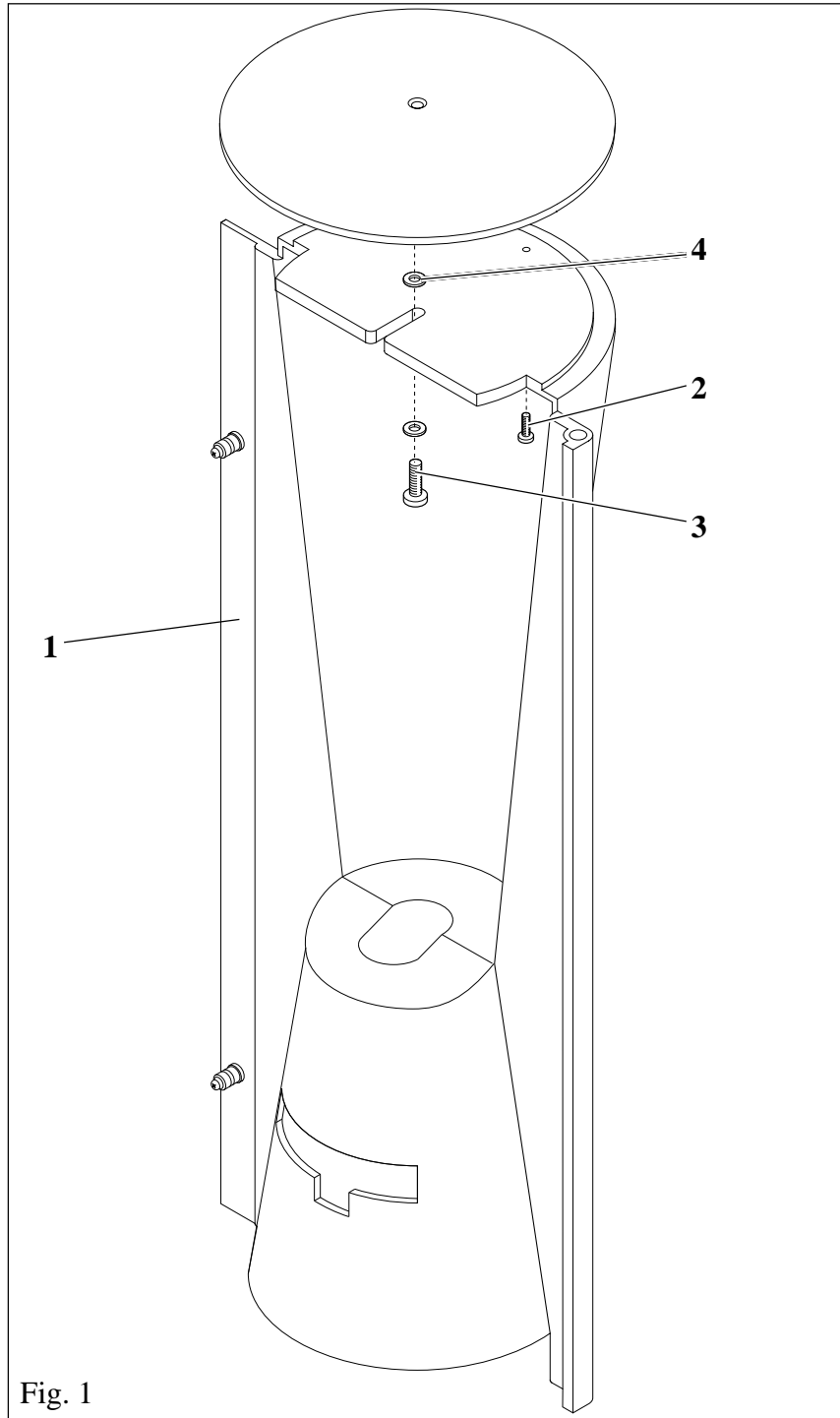
DATE :23.02.00    PRODUCED BY :

DATE :23.02.00    CHECKED BY :



## TECHNICAL INFORMATION

TYPE NO <b>FB55</b>	NAME <b>Freshbrewer</b>	T.I.-NO <b>01/00</b>
SERIES <b>01.03. 2000</b>	DIAGRAM	ISSUED BY <b>T.I. Department</b>
SUBJECT <b>Door left DE</b>		T.I.-GROUP <b>Development</b>
		T.I.-CATEGORY



DATE :23.02.00

PRODUCED BY :

DATE :23.02.00

CHECKED BY :