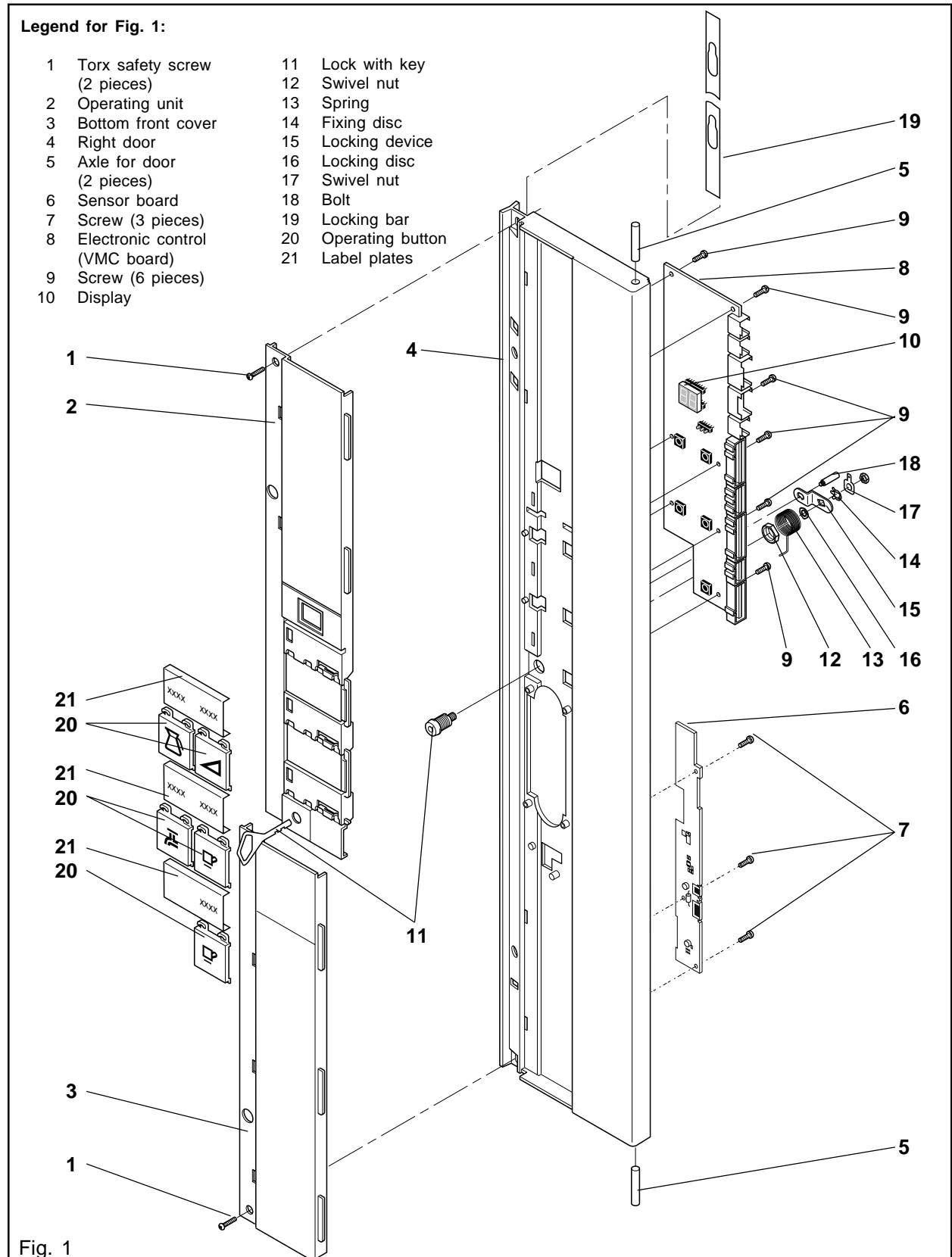


# G Housing

## G.1 Disassemblies

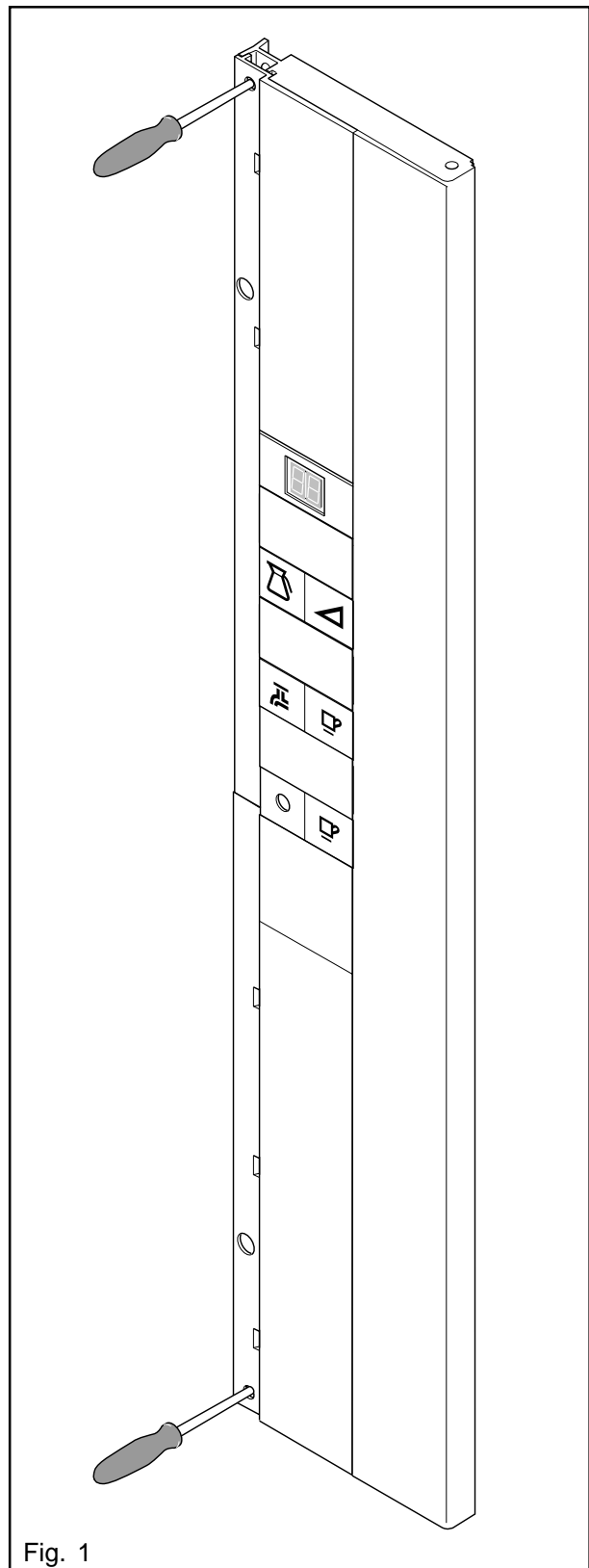
### G.1.1 Overview - Components of the right Door



### G.1.2 Opening the right Door

- Open the left door.
- Switch off the main switch, disconnect the power supply plug and close the water cock.
- Use a suitable screw driver to remove the two Torx safety screws (top and bottom) (Fig. 1) (see Spare parts list «Various parts»).

**CAUTION:** Use only Torx safety screws when closing the right door.



### G.1.3 Dismounting the Doors

- Open the left door.
- Switch off the main switch, disconnect the power supply plug and close the water cock.
- Open the right door.



When dismantling the right door all plug connections to the electronic control have to be disconnected (with the exception of the cable harness to the sensor board). Disconnect the earthing cable from the locking bar.

- Dismounting for both doors is identical.
- Use a suitable tool to slide the axle up to the stop.



Attention: the doors are made from plastic. Do not use sharp or pointed tools.

- Pull the door slightly forwards and then down. The upper axle remains in the hinge.
- Mounting is done in reverse order.



When connecting the plugs to the electronic control make sure that they snap into position. Connect the earthing cable to the locking bar. Check the function of the safety switch.

### G.1.4 Dismounting the front Covers

#### Top:

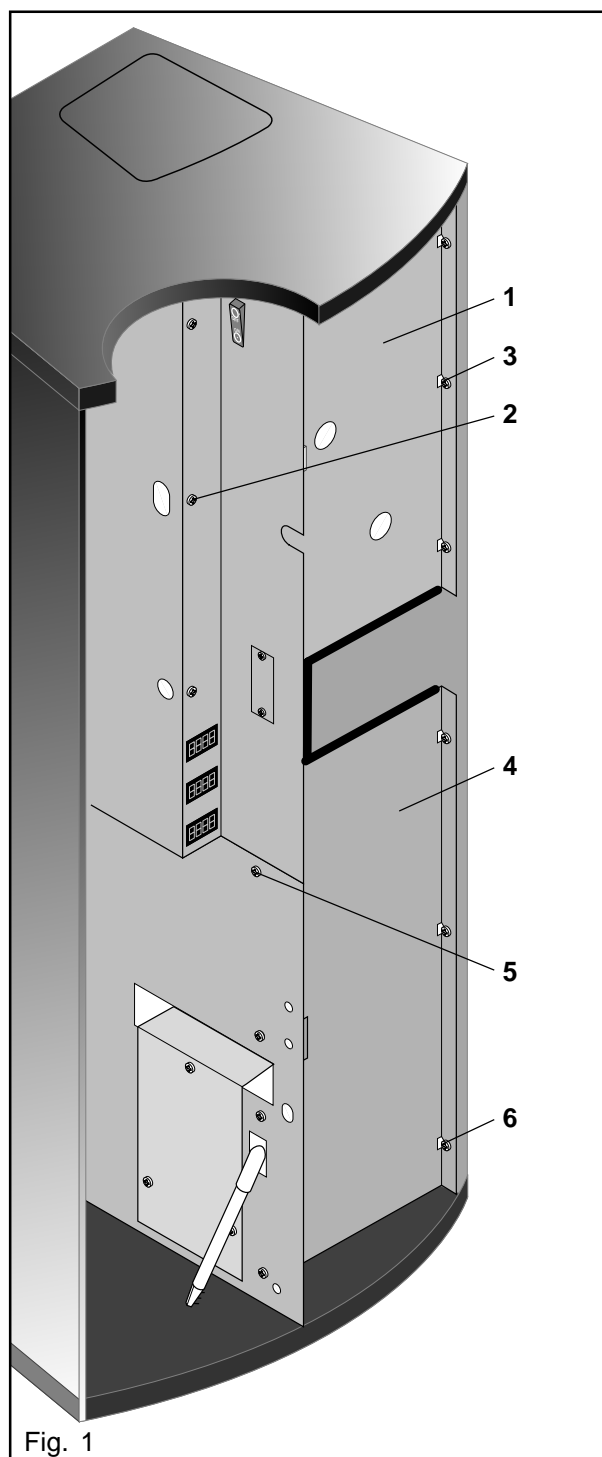
- Open the left door.
- Switch off the main switch, disconnect the power supply plug and close the water cock.
- Open the right door.
- Remove the product container (see chap. «Maintenance»).
- Remove the fastening screws (2) at the top front cover (1) (Fig. 1)
- Loosen the fastening screws (3) and take off the top front cover (1) (Fig. 1).
- Mounting is done in reverse order.



On reinstallation make sure that the cables are in the correct position.

#### Bottom:

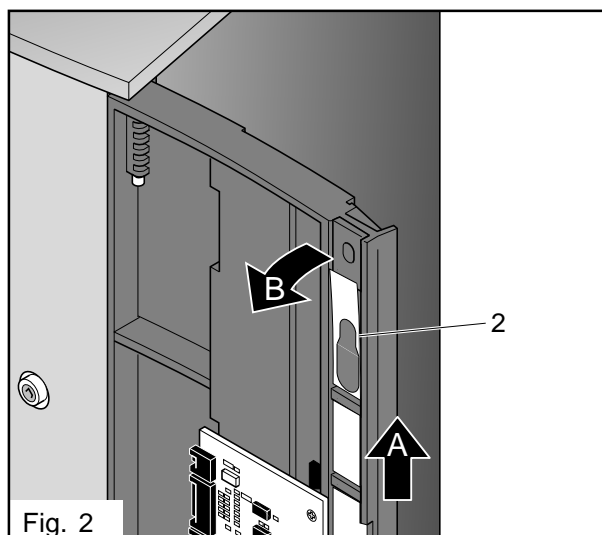
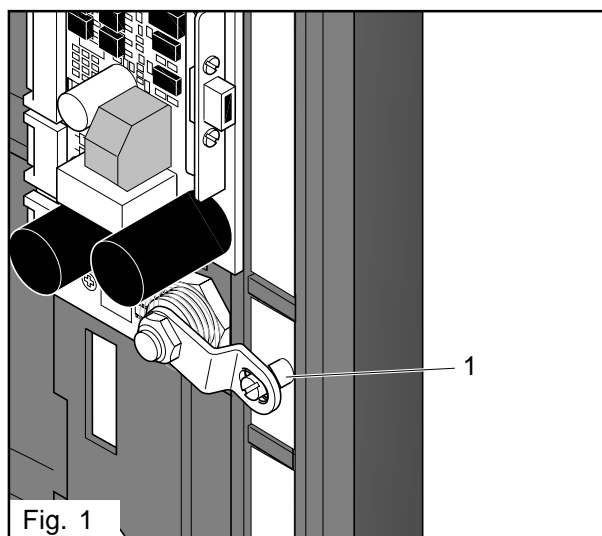
- Remove the fastening screws (5) at the bottom front cover (4) (Fig. 1)
- Loosen the fastening screws (6) and take off the bottom front cover (4) (Fig. 1).



### G.1.5 Dismounting the Locking Bar


- Open the left door.
- Switch off the main switch, disconnect the power supply plug and close the water cock.
- Open the right door.
- Remove the sensor board.
- Screw the pin (1) out of the locking bar (Fig. 1).
- Bent the top and the bottom of the locking bar (2) slightly forwards, then pull it out of the door (Fig. 2).
- Install a new locking bar (2).
- Mounting is done in reverse order

**CAUTION:** Under all circumstances make sure that the earthing cable is reconnected on re-installation.



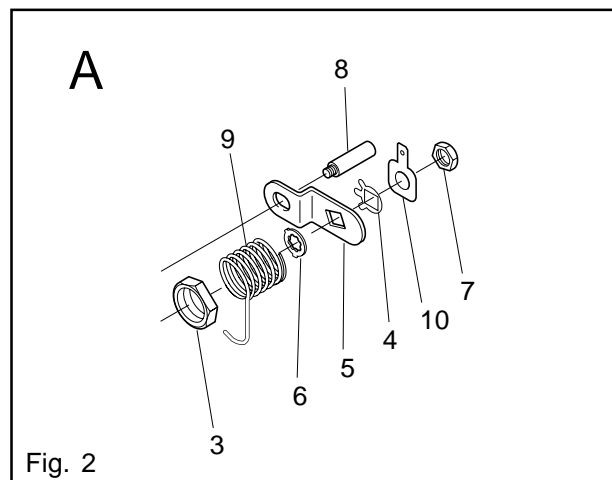
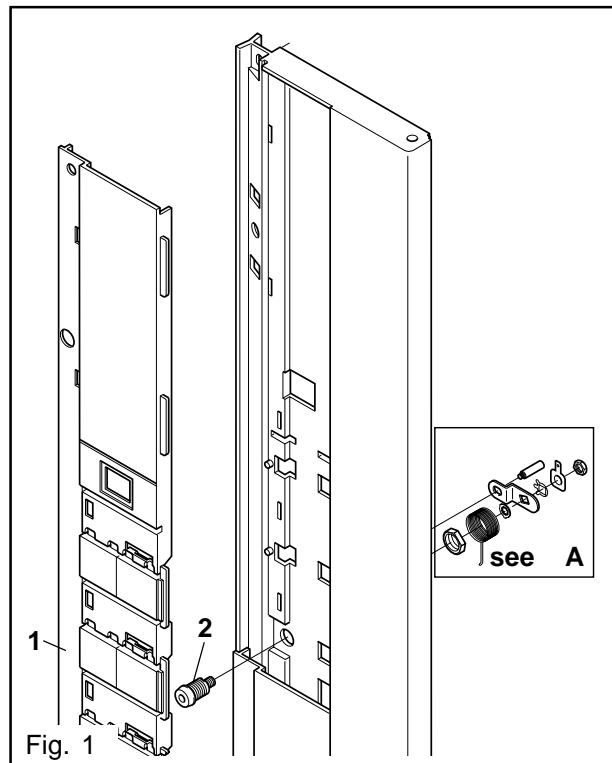
### G.1.6 Dismounting the Lock

- Open the left door.
- Switch off the main switch, disconnect the power supply plug and close the water cock.
- Open the right door.
- Remove the electronic control (VMC board) (see chap. K.2)
- Remove the operating unit (1) from the right door (see chap. "Dismounting the operating unit").
- Remove the ground cable.
- Dismount the parts 3–10 as shown in Fig. 2.

 Mark the position of the locking disc (4) (Fig. 1). It must be re-installed in the same position, otherwise the lock will be maladjusted.

- Remove the lock to the front (Fig. 1).
- Install a new lock.
- Mounting is done in reverse order.

**CAUTION:** Make sure that the spring engages into the recess for the button after re-installation.



### G.1.7 Dismounting the Base Setting Screws

- Open the left door.
- Switch off the main switch, disconnect the power supply plug and close the water cock.
- Open the right door.
- Drain the water in the boiler into a suitable vessel

**WARNING:** There is a risk of being scalded! The water in the boiler can be hot.

- Position the dispenser over the edge of a table.

**CAUTION:** Maintain a good hold on the dispenser. Make sure that the dispenser does not tilt over.

- Unscrew the base setting screws one after another and replace them (Fig. 1).
- Carry out the horizontal alignment by means of the base setting screws (Fig. 2).
- Close the left door.
- Open the water cock, connect the power supply plug and switch on the main switch.

