
CATALAGO PARTI DI RICAMBIO
SPARE PARTS CATALOGUE
CATALOGUE DES PIECES DETACHES
KATALOG FÜR ERSATZTEILE
CATALOGO PIEZAS DE REPUESTO

Granmattino

IT Italiano
GB English
FR Français
DE Deutsch
ES Español

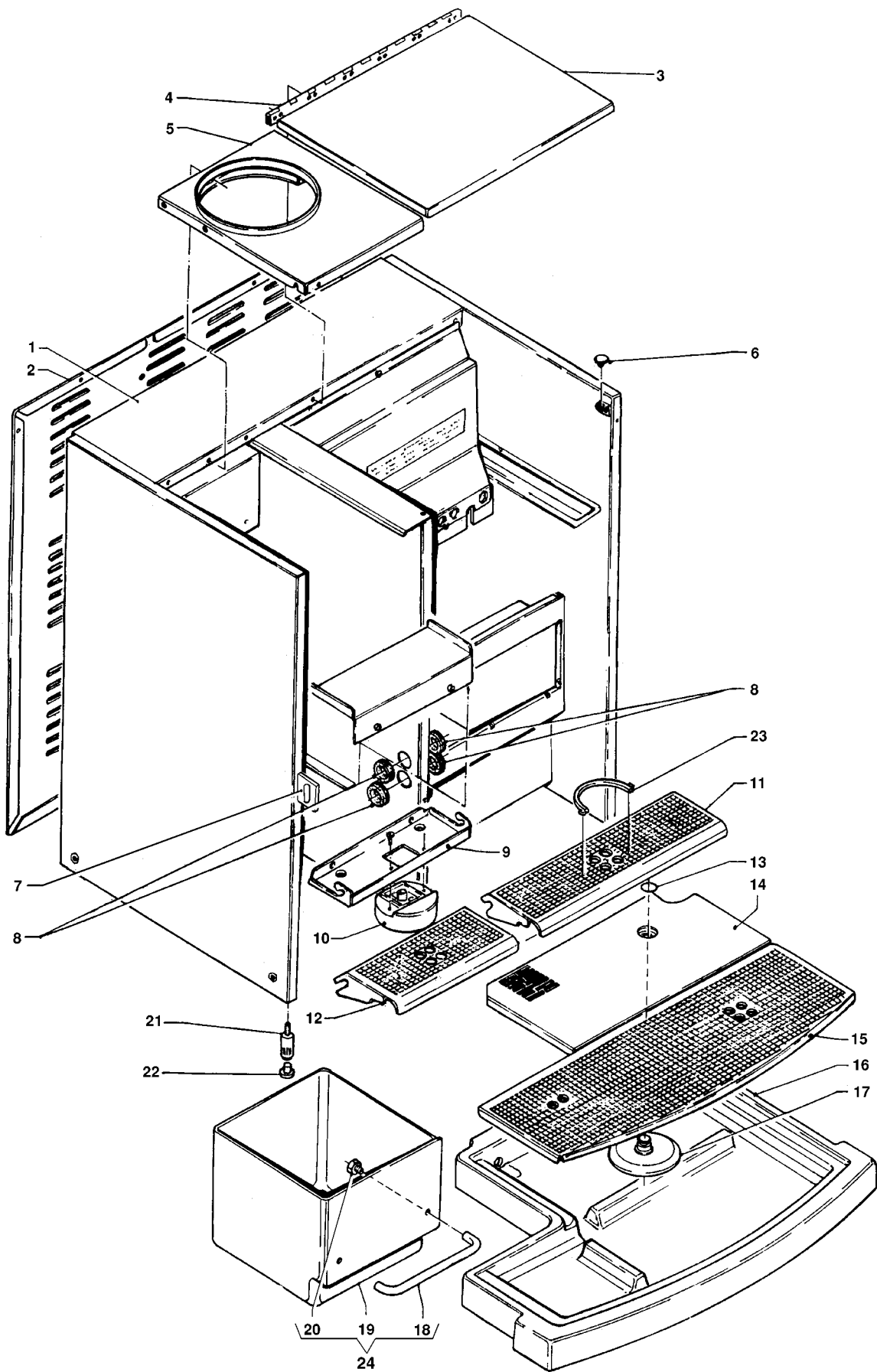


DOC. NO. **C 156X 00**
EDITION 1 2000-09

ZANUSSI by  **NECTA**
V E N D I N G

N. COD.	DESCRIZIONE	DESCRIPTION	BEZEICHNUNG	DESCRIPCION
01	TESTATA INFERIORE PORTA	LOWER DOOR HEAD	TUR-UNTERTEIL	CABEZA DE PUERTA INFERIOR
02	CERNIERA COPERTURA PULSANTIERA	PUSH-BUTTON COVERING HINGE	TASTENFELD BEDECKUNGSSCHARNIER	BISAGRA COBERTURA DE PULSADORES
03	CERNIERA PORTA	DOOR HINGE	TURSCHARNIER	BISAGRA DE PUERTA
04	SERRATURA "RIELDA"	LOCK "RIELDA"	SERRURE "RIELDA"	CERRADURA RIELDA
05	CHIAVISTELLO	BOLT	VERROU	LEVA
06	CAPPUCCIO 6 PULSANTI	CAP 6 PUSH-BUTTON	CAPUCHON 6 BOUTONS	TAPA 6 PULSADORES
07	GOMMINO 6 PULSANTI	LITTLE RUBBER 6 PUSH-BUTTON	PIECE CAOUTCHOUC 6 BOUTONS	GOMA 6 PULSADORES
08	PULSANTIERA A MEMBRANA	MEMBRANE-TYPE PUSH-BUTTON PANEL	TABLEAU DE TOUCHES A MEMBRANE	CAJA DE PULSADORES A MEMBRANA
09	GODRONE	KNURL	BOUTON MOLETE	CLIP FIJACION CONTENEDOR CAFE
10	VETRINO DISPLAY	DISPLAY GLASS	GLACE DE DISPLAY	CRISTAL DEL DISPLAY
11	CAPPUCCIO 3 PULSANTI	CAP 3 PUSH-BUTTON	CAPUCHON 3 BOUTONS	TAPA 3 PULSADORES
12	GOMMINO 3 PULSANTI	LITTLE RUBBER 3 PUSH-BUTTON	PIECE CAOUTCHOUC 3 BOUTONS	GOMA 3 PULSADORES
13	DISPLAY LCD	LCD DISPLAY	AFFICHAGE LCD	DISPLAY
14	SUPPORTO DISPLAY	DISPLAY SUPPORT	SUPPORT DISPLAY	SOPORTE DISPLAY
15	PORTA	DOOR	PORTE	PUERTA
16	PULSANTIERA DI PROGRAMMAZIONE	PROGRAMMER MEMBRANE PUSH-BUTTON	TOUCHES A MEMBRANE DE PROGRAMME	PULSADORES A MEMBRANA DE PROGRAM
17	SCHEDA INTERFACCIA	INTERFACE CARD	PLATINE INTERFACE	TARJETA INTERFACE
18	COPERTURA PULSANTIERA	PUSH-BUTTON PANEL COVERING	COUVERTURE PANNEAU DE TOUCHES	COBERTURA TABLERO DE PULSADORES
19	PASSACAPO OVALE	WHIPPING OVAL	PASSE-CABLE OVALE	PASACABLE OVAL
20	DEVIATORE	SWITCH	INTERRUPTEUR	CONMUTADOR
21	DISTANZIALE PER SCHEDA	CARD SPACER	ENTRETOISE POUR CARTE	DISTANCIADOR MICRO
22	PANNELLO FOTOGRAFICO	PHOTOGRAPHIC PANEL	PANNEAU PHOTOGRAPHIQUE	PANEL FOTOGRAFICO
23	STARTER 110 V	110V STARTER	STARTER	STARTER DE 110V
24	PORTASTARTER	STARTER HOLDER	PORTE-STARTER	PORTA-STARTER
25	PORTALAMPADA	LAMP HOLDER	PORTE-LAMPE	PORTA-LAMPARA
26	REATTORE	BALLAST	REACTEUR	REACTOR
27	LAMPADA	LAMP	LAMPE	LAMPARA
28	CABLAGGIO PANNELLO FOTOGRAFICO	PHOTOGRAPHIC PANEL WIRING	CABLAGE DE TABLEAU PHOTOGRAPHIQUE	CABLEADO PANEL FOTOGRAFICO
29	SUPPORTO LAMPADA	LAMP SUPPORT	SUPPORT LAMPE	SOPORTE DE LAMPARA
30	TARGHETTE PRODOTTO (UK)	PRODUCTS PLATE (UK)	ETIQUETTES PRODUIT (UK)	PLAQUITAS PRODUCTO (UK)
31	TUBO SILICONA MARRONE 7.5X12 AL MET	SILICONE HOSE BROWN 7.5X12	TUYAU SILICONE BRUN 7.5X12	TUBO SILICONA MARRON 7,5 X 12
32	ATTUATORE MICROINTERRUTTORE	MICROACTUATOR	MICROCONTACT DE LEVIER	ACTUADOR MICROINTERRUPTOR

© by NECTA VENDING SOLUTIONS - VALBREMBO		Porta Door Porte Tür Puerta	01	GRANMATTINO KRAFT
				11/00



© by NECTAVENDING SOLUTIONS - VALBREMBO

Mobile
Cabinet assy
Châssis
Gehäuse
Mueble

02	GRANMATTINO KRAFT
	11/00

N. COD.	(I) DESCRIZIONE	(K) DESCRIPTION	(F) DESCRIPTION	(D) BEZEICHNUNG	(E) DESCRIPCION
01	0V2690 MOBILE	CABINET	MEUBLE	SCHRANK	MUEBLE
02	0V2663 COPERTURA POSTERIORE	REAR COVER	COUVERTURE ARRIERE	HINTERE ABDECKUNG	COBERTURA TRASERA
03	0V1435 CIELO	MACHINE TOP	CIEL	DECKE	TAPA SUPERIOR
04	0V1145 CERNIERA CIELO	MACHINE TOP HINGE	CHARNIERE DE COUVERTURE SUPERIEUR	DECKELSCHARNIER	BISAGRA DE TAPA SUPERIOR
05	0V1117 CIELO PER CONTENITORE CAFFE'	COFFEE CONTAINER TOP	COUVERCLE SUPER. RECIPIENT A CAFE	DECKEL FUER KAFFEEBEHALTER	TAPA SUPERIOR DEL RECIPIENTE DEL CA
06	098759 GOMMINO PARACOLPI	RUBBER BUFFER	BUTOIR DE CAOUTCHOUC	GUMMIPUFFER	ELECTROIMAN
07	0V0379 PIATRINA CHIAVISTELLO	LATCH BOLT PLATE	PLAQUE DE VERROU	RIEGELPLAETTCHEN	CHAPA CERRADURA
08	090020 PASSACAVO DA MM 16	WHIPPING MM 16	PASSE-CABLE DE 16 MM	RING DIAM 16 MM	PASACABLE DE 16 MM
09	0V2668 SUPPORTO SINISTRO UGELLI	LEFT SPOUT SUPPORT	SUPPORT GAUCHE DE BECS	DUSENHALTER LINKS	SOPORTE IZQUIERDO BOOQUILLA
10	0V2693 BOCCHETTA EROGAZIONE	DISPENSING OPENING	OUVERTURE DE DISTRIBUTION	AUSGABEOEFFNUNG	ORIFICIO DE SUMINISTRO
11	0V2664 GRIGLIA DESTRA ALZATAZZE	RIGHT CUP LIFTER	GRILLE DROITE LEVE-TASSES	TASSENHEBERROST RECHT	REJILLA ALZATAZZAS DERECHA
12	0V2665 GRIGLIA SINISTRA ALZATAZZE	LEFT CUP LIFTER	GRILLE GAUCHE LEVE-TASSES	TASSENHEBERROST LINKS	REJILLA ALZATAZZAS IZQUIERDA
13	095624 GUARNIZIONE OR 119 EP851	GASKET O-RING 119 EP851	JOINT	SONDENDICHTUNG	GUARNICION
14	0V2748 SUPPORTO GALLEGGIANTE	FLOAT SUPPORT	SUPPORT FLOTTEUR	SCHWIMMER-TRAGER	SOPORTE BOYA
15	0V2691 GRIGLIA BACINELLA	TRAY GRATE	GRILLE DE CUVE	FANGSCHALENGITTER	REJILLA BANDEJA
16	0V2692 BACINELLA FONDI LIQUIDI	LIQUID TRAY	CUVE DES LIQUIDES	FLUSSIGKEITENFANGSCHALE	BANDEJA LIQUIDOS
17	0V1751 GALLEGGIANTE BACINELLA	TRAY FLOAT	FLOTTEUR CUVE	FANGSCHALENSCHWIMMER	BOYA BANDEJA
18	0V1741 MANIGLIA BACINELLA	TRAY HANDLE	POIGNEE DE CUVE	FANGSCHALENGRIFF	MANIJA DE BANDEJA
19	0V1740 BACINELLA	TRAY	CUVE	FANGSCHALEN	BANDEJA
20	0V1122 FERMO MANIGLIA	HANDLE STOP	ARRET DE POIGNEE	GRIFFARETIERUNG	TOPE DE MANIJA
21	0V0430 PIEDINO REGOLABILE M8	LEVELLING FOOT	PIED DE REGLAGE	NIVELLIERFUSS	PIE REGULABLE
22	099838 TAPPO	STOPPER	BOUCHON	STOEPSSEL	TAPON
23	0V1130 FERMO TAZZINA	CUP STOP	ARRET DE PETIT TASSE	TASSENSPERRE	TOPE DE TACITA
24	0V2803 BACINELLA COMPLETA	TRAY, ASSY	CUVE COMPLETE	FANGSCHALEN KOMPL.	BANDEJA COMPL.

© by NECTA VENDING SOLUTIONS - VALBREMBO		Mobile Cabinet assy Châssis Gehäuse Mueble	02	GRANMATTINO KRAFT
				11/00

N.	COD.	(I) DESCRIZIONE	(UK) DESCRIPTION	(F) DESCRIPTION	(D) BEZEICHNUNG	(E) DESCRIPCION
01	0V2677	CABLAGGIO GENERALE INSTANT	INSTANT MAIN WIRING	CABLAGE GENERAL INSTANT	HAUPTVERKABELUNG INSTANT	CABLEADO GENERAL INSTANT
02	099982	EPROM 1024K	1024K-EPROM	EPROM 1024K	EPROM 1024K	1024K- EPROM
03	0V1858	SCHEDA CPU/ATTUAZIONE "PLUS"	CPU/REALISATION BOARD "PLUS"	PLATINE CPU/REALISATION "PLUS"	CPU/AKTUATIONSPLATINE "PLUS"	TARJETA CPU/MANDO
04	097175	DISTANZIALE SCHEDE	CARD SPACER	ENTRETOISE DE PLATINE	KARTENDISTANZSTUECK	DISTANCIADOR TARJETAS
05	097796	INTERRUTTORE	SWITCH	INTERRUPTEUR	SCHALTER	INTERRUPTOR
06	0V1654	CHIAVE INTERRUTTORE	SWITCH KEY	CLE D'INTERRUPTEUR	SCHALTERSCHLUSSEL	LLAVE INTERRUPTOR
07	0V0719	DIODO	DIODE	DIODE	DIODE	DIODO
08	0V1134	MICRO CONTROLLO FONDI	LIQUID WASTE MICRO CONTROL	MICRO DE CONTROLE/FONDS	RESTE-KONTROLLSCHALTER	MICRO DE CONTROL DE FUNDOS
09	090681	PIASTRINA ISOLANTE	INSULATING DISK	PLAQUETTE ISOLANTE	ISOLIERENDE SCHEIBE	PLACA AISLANTE MICRO
10	099440	MICROINTERRUTTORE	MICROSWITCH	MICROINTUPTEUR	MIKROSCHALTER	MICROINTERRUPTOR
11	093916	PASSACAVO OVALE	WHIPPING OVAL	PASSE-CABLE OVALE	KABELFUEHRUNG OVAL	PASACABLE OVAL
12	0V0878	MORSETTIERA	TERMINAL BOARD	PLAQUE DE JONCTION	KLEMMKASTEN	TABLERO DE BORNES
13	098794	PORTAFUSIBILE	FUSE-HOLDER	PORTE-FUSIBLE	SICHERUNGEN-HALTER	PORTAFUSIBLES
14	095636	FUSIBILE 15 A	FUSE 15 A	FUSIBLE 15 A	SICHERUNG 15 A	FUSIBLE 15 A
15	094024	TELERUTTORE	REMOTE CONTROL SWITCH	TELERUPTEUR	FERNSCHALTER	INTERRUPTOR
16	096845	FILTRO RC 1000HM 0,1MF	FILTER RC 1000HM 0,1MF	FILTRE RC 1000HM 0,1MF	FILTER RC 1000HM 0,1MF	V.E. FILTRO R.C. 100 OHM
17	098792	TRASFORMATORE	TRANSFORMER	TRANSFORMATEUR	TRANSFORMATOR	TRANSFORMADOR
18	097155	FILTRO RETE 0,47MF 16 A	SYSTEM FILTER 0,47MF 16A	FILTRE SYSTEME 0,47MF 16A	FILTER SYSTEM 0,47MF 16A	FILTRO RED 0,47 MF
19	090148	COLLARE	CLIP	AGRAFE	STELLRING	ABRAZADERA
20	093312	PASSACAVO DA.MM 12 ART.46.	WHIPPING DIAM MM 12 ART 46	PASSE-CABLE DE 12MM ART. 46	KABELFUEHRUNG 12MM ART. 46	PASACABLE MM 12 ART.46
21	098459	FISSACAVO	WIRE-CLIP	FIXE-CABLE	KABELHALTER	FUACABLE
22	097242	SOTTOMORSETTIERA	SUB-TERMINAL BOARD	SOUS-BORNIER	UNTERKLEMMLEISTE	PORTATERMINAL
23	098793	MORSETTIERA CON PORTAFUSIBILE	TERMINAL BOARD WITH FUSE-HOLDER	PLAQUE DE JONCTION AVEC PORTE-FUSI	KLEMMKASTEN MIT SICHERUNGEN-HALTE	TERMINAL CON PORTAFUSIBLE
24	097544	FUSIBILE 125 MA RIT.	FUSE 125 MA DELAYED ACTION	FUSIBLE 125 MA	NACHWIRKUNGSSICHERUNG 125MA	FUSIBLE 125 M.A.
25	097241	MORSETTIERA 3POLI CON PORTAFUSI	3-POLE TERMINAL BOARD W/CARRIER	BORNIER 3 POLES AVEC SUPPORT	SICHERUNGSHALTER	TERMINAL 3 POLOS PORTAFUSIBLE
26	097103	FUSIBILE 1,25A 5X20 RIT.	FUSE 1,25A 5X20 DELAYED ACTION	FUSIBLE 1,25A	NACHHELSICHERUNG 1,25A 5X20MM	FUSIBLE
27	0V2681	SCHEDA 3 RELE'	CARD 3 RELAY	PLATINE 3 RELAIS	3-ER RELAIS PLATINE	CIRCUITO 3 RELES
28	093984	DISTANZIATORE GUIDA	GUIDE SPACER	CLIP	ABSTANDHALTER	CLIP SUJECCION
29	0V2685	COPERTURA SCHEDE	COVER BOARD	COUVERTURE PLATINE	ABDECKUNG-PLATINE	TAPA CIRCUITO

© by NECTA VENDING SOLUTIONS - VALBREMBO		Impianto elettrico Electric circuit Circuit électrique Kabelbaum Circuito eléctrico	03	GRANMATTINO KRAFT
				11/00

N.	COD.	(I) DESCRIZIONE	(UK) DESCRIPTION	(F) DESCRIPTION	(D) BEZEICHNUNG	(E) DESCRIPCION
01	0V1137	CALDAIA SOLUBILI COMPLETA	INSTANT DRINK BOILER ASSEMBLY	ENSEMBLE CHAUDIERE SOLUBLES	INSTANTBOILER, VOLLKOMMEN	CONJUNTO CALDERA SOLUBLES
02	0V1152	COPERCHIO CALDAIA	BOILER COVER	COUVERCLE A CHAUDIERE	BOILERDECKEL	TAPA DE CALDERA
03	0V1125	GUARNIZIONE COPERCHIO CALDAIA	BOILER COVER SEAL	JOINT DE COUVERCLE A CHAUDIERE	DICHTUNG F. BOILERDECKEL	JUNTA DE TAPA DE CALDERA
04	099844	GUARNIZIONE	GASKET	JOINT	DICHTUNG	JUNTA
05	0V1151	CORPO CALDAIA	BOILER CASE	CARCASSE DE CHAUDIERE	BOILERGEHAUSE	CAJA DE CALDERA
06	099843	RESISTENZA	HEATING-ELEMENT	RESISTANCE	HEIZUNG	RESISTENCIA
07	0V1140	CABLAGGIO CALDAIA SOLUBILE	INSTANT DRINK BOILER WIRING	CABLAGE DE CHAUDIERE SOLUBLES	VERKABELUNG INSTANTBOILER	CABLEO CALDERA SOLUBLES
08	092428	TERMOSTATO REGOLABILE	TERMOSTAT ADJUSTABLE	THEMOSTAT REGLABLE	THEMOSTAT REGULIERBAR	TERMOSTATO REGULABLE
09	0V1133	AIR-BREAK COMPLETO	AIR-BREAK ASSEMBLY	ENSEMBLE AIR-BREAK	AIR-BREAK, VOLLKOMMEN	AIR-BREAK COMPLETO
10	0V1141	MICROINTERRUTTORE	MICROSWITCH	MICRODISRUPTEUR	MIKROSCHALTER	MICROINTERRUPTOR
11	090421	GUARNIZIONE	GASKET	JOINT	DICHTUNG	GUARNIC. VALVULA NO RETORNO
12	0V1126	GALLEGGIANTE AIR-BREAK	AIR-BREAK FLOAT	FLOTTEUR AIR-BREAK	AIR-BREAK SCHWIMMER	FLOTADOR AIR-BREAK
13	0V1276	ISOLANTE LATERALE CALDAIA	BOILER SIDE INSULATION	ISOLATION LATERALE DE CHAUDIERE	SEITLICHE BOILERSOLIERUNG	AISLANTE LATERAL CALDERA
14	0V1275	ISOLANTE CALDAIA	BOILER INSULATION	ISOLATION DE CHAUDIERE	BOILERSOLIERUNG	AISLANTE CALDERA
15	092703	MORSETTO CHIUSURA TUBO	TUBE CLAMP	CLIP	SCHLAUCHKLEMME	CIERRE TUBO
16	098484	FERMATUBO	HOSE FIXING	FERME-TUYAU	SCHLAUCHHALTER	TOPE PARA TUBO
17	099458	TUBO TERMOSTATO	THERMOSTAT TUBE	TUBE A THERMOSTAT	THERMOSTATROHR	TUBO TERMOSTATO
18	094597	RONDELLA IN RAME	COPPER WASHER	JOINT	UNTERLEGSSCHEIBE KUPFER	ARANDELA EN COBRE
19	099845	TERMOSTATO SICUREZZA	THERMOSTAT	THERMOSTAT DE SECURITE	THERMOSTAT	TERMOSTATO
20	097685	TUBO SILICONE MARRONE 7.5X12"AL MET	SILICONE HOSE BROWN 7.5X12	TUYAU SILICONE BRUN 7.5X12	SCHLAUCH SILIKON BRAUN 7.5X12	TUBO SILICONA MARRON 7,5 X 12
21	097512	TUBO SILICONE 6X12" MARRONE*	SILICONE HOSE 6X12 BROWN	TUYAU SILICONE 6X12 BRUN	SCHLAUCH 6X12 BRAUN	TUBO SILICONA 6 X 12 MARRON
22	097513	TUBO SILICONE 9X13" MARRONE*	SILICONE HOSE 9X13 BROWN	TUYAU SILICONE 9X13 BRUN	SCHLAUCH 9X13 BRAUN	TUBO SILICONA 9 X 13
23	095513	RACCORDO A Y	UNION Y-SHAPE	RACCORD A Y	ANSCHLUSSSTUECK Y-FOERMIG	RACORD *Y*
24	094185	RACCORDO RECUPERO CONDENZA	CONDENSE RECOVERY UNION	RACCORD ANTI CONDENSATION	T-STUECK	CONDUCCION DE AGUA
25	0V1127	ATTACCO TUBI	PIPE CONNECTION	RACCORD TUBES	ROHRENKUPPLUNG	UNION TUBOS
26	095576	RACCORDO A L	UNION L-SHAPE	RACCORD	ANSCHLUSSSTUECK L-FOERMIG	UNION DE L
27	097515	TUBO SILICONE 10X16" MARRONE*	SILICONE HOSE 10X16 BROWN	TUYAU SILICONE 10X16 BRUN	SCHLAUCH 10X16 BRAUN	TUBO SILICONA 10 X 16 MARRON
28	099436	SUPPORTO ELETTROVALVOLA	ELECTROVALVE SUPPORT	SUPPORT D'ELECTROVANNE	ELEKTROVENTILHALTERUNG	SOPORTE ELECTROVALVULA
29	097381	ELETTROV. ENTRATA ACQUA 220V	ELECTROVALVE WATER-INLET 220V	ELECTROVANNE ENTREE EAU 220V	ELEKTROVENTIL H2O-EINGANG 220V	ELECT. ENTRADA AGUA 220 V.
30	092652	CONTRODADO 1/4 G.	LOCK NUT 1/4 REV	ECROU	SECHSKANTMUTTER	CONTRATUERCA 1/4 G
31	094910	PORTAGOMMA PER BACINELLA MIXER	RUBBER HOLDER MIXER BASIN	BEC VIDANGE	GUMMITRAEGER AUFFANGSCHALE MIXER	PORTAGOMAS BANDEJAS
32	099847	GUARNIZIONE	GASKET	JOINT	DICHTUNG	JUNTA
33	099846	ELETTROVALVOLA	ELECTROVALVE	ELECTROVANNE	VENTIL	ELECTROVALVULA
34	099063	VITE REGOLAZIONE	ADJUSTING-SCREW	VIS DE REGLAGE	EINSTELLUNGSSCHRAUBE	TORNILLO REGULACION
35	099060	MOLLETTA ELASTICA	ELASTIC SPRING	RESSORT ELASTIQUE	ELASTISCHE FEDER	MUELLE
36	0V1097	GUARNIZIONE OR	OR GASKET	JOINT OR	DICHTUNG OR	EMPAQUETADURA OR
37	099066	PISTONCINO COMPLETO	COMPLETE PISTON	PISTON COMPLET	KOMPLETTER KOLBEN	PISTON COMPLETO
38	099065	GUARNIZIONE A MEMBRANA	MEMBRANE-GASKET	JOINT DE MEMBRANE	MEMBRAN-DICHTUNG	GUARNICION
39	095791	CANOTTO PER VALVOLE	VALVE BUSH	MANCHON DE VANNE	VENTILHUELSE	ALOJAMIENTO NUCLEO
40	099057	BOBINA 220/230 VOLT	ELECTROV.-COIL 220/230 VOLT	BOBINE ELECTROVANNE 220/230 VOLT	BOBINE ELEKTROVENTIL 220/230 VOLT	BOBINA 220/230 VOLT
41	0V1386	RACCORDO INGRESSO ACQUA	WATER ENTRANCE CONNECTION	RACCORD ENTREE DEAU	WASSEREINGANG ANSCHLUSS	RACORD ENTRADA AGUA
42	094150	MOLLA FISS. BULBO TERM.	THERMOSTAT BLUB FASTENING SPRING	FIXATION	FEDER THERMOSTATKOLBENFIXIERUNG	MUELLE FIJACION BULBO
43	094571	RACCORDO A 90 GRADI	UNION 90 DEGREES	RACCORD A 90 DEGRES	ANSCHLUSSSTUECK 90 GRAD	CODO
44	096552	RACCORDO A T	UNION T-SHAPE	RACCORD	ANSCHLUSSSTUECK T-FOERMIG	RACORD
45	0V0806	CORPO ELETTROVALVOLA (PER 1 ELETTROV.)	ELECTRICVALVE BODY (FOR 1 ELECTROV.)	CORPS ELECTROVANNE (POUR 1 ELECTROV.)	ELEKTROVENTILGEHAUSE (FUER 1 ELEKTROV.)	CAJA ELECTROVALVULA (PARA 1 ELECTROV.)

© by NECTA VENDING SOLUTIONS - VALBREMBO		Circuito idraulico Hydraulic system Circuit hydraulique Wasser Leitung Circuito hidráulico	04	GRANMATTINO KRAFT
				11/00

N.	COD.	(I) DESCRIZIONE	(UK) DESCRIPTION	(F) DESCRIPTION	(D) BEZEICHNUNG	(E) DESCRIPCION
01	0V2689	MENSOLA CAFFE' ESPRESSO	COFFEE BRACKET ASSEMBLY	ENSEMBLE ETAGERE CAFE	KAFFEEKONSOLE, VOLLKOMM.	CONJUNTO MENSULA PARA CAFE
02	0V1136	CALDAIA CAFFE' 600 CC. COMPLETA	COFFEE BOILER ASSEMBLY 600 CC.	ENSEMBLE CHAUDIERE A CAFE	KAFFEEBOILER 600 CC., VOLLKOMMEN	CONJUNTO CALDERA CAFE 600 CC.
03	092068	TUBO TEFLON DA MM2X4	TEFLON PIPE DIAM MM 2X4	TUBE RILSAN 2X4	TEFLON-ROHR 2X4MM	TUBO TEFLON 1 X 4
04	093636	DADO DI SERRAGGIO	TIGHTENING NUT ELECTR. DE-AERATION	ECROU DE SERRAGE	SPANNUNGSMUTTER ELEKTR.ABZUG	TUERCA
05	093635	ANELLO DI SERRAGGIO	TIGHTENING RING ELECTRICAL DE-AERATION	RACCORD EN TEFLON	VERSCHRAUBUNGSRING ELEKTR. ENTLUFT	ANILLO
06	097470	ELETTROV.3 VIE 220 VOLT	3-WAY ELECTROVALVE 220V	3-VOIES SOUPEPE 220V	3-WEGE VENTIL 220V	ELETTROVALVULA 3 VIAS 220 V.
07	099105	CANOTTO ELETTROV. CAFFE'	COFFEE-ELECTROV. CONNECTION PIPE	CHEMINEE ELECTROVANNIE CAFE'	KAFFEE-ELEKTROV.-VERBINDUNGSSCHLA	CAMISA ELECTROVALVULA GRANDE
08	097472	NUCLEO ELETTROV.3 VIE	3-WAY ELECTROVALVE NUCLEUS	NOYAU D'E.V. 3 VOIES	PLUNGER	NUCLEO ELECTROVALVULA 3 VIAS
09	099057	BOBINA 220/230 VOLT	ELECTROV.-COIL 220/230 VOLT	BOBINE ELECTROVANNIE 220/230 VOLT	BOBINE ELEKTOVENTIL 220/230 VOLT	BOBINA 220/230 VOLT
10	096194	VITE M6X25	SCREW M6X25	VIS M6X25	SCHRAUBE M6X25	TORNILLO M6X25
11	090421	GUARNIZIONE	GASKET	JOINT	DICHTUNG	GUARNIC. VALVULA NO RETORNO
12	096176	TERMOSTATO BIPOLARE 125 GRADI	BIPOLAR THERMOSTAT 125 GRADES	THERMOSTAT DE SECURITE 125 GRADE	THERMOSTAT 2-POLIG 125 GRAD	TERMOSTATO 120 GRADOS C.
13	0V1434	RACCORDO DIRITTO	STRAIGHT UNION	RACCORD DROIT	GERADES ANSCHLUSSSTUECK	TUBO DEL EMBOLO
14	0V1148	TUBO PISTONE	PISTON TUBE	TUBE DE PISTON	KOLBENROHR	RACORDO PARA TUBO PISTON
15	098699	RACCORDO PER TUBO PISTONE	UNION FOR PISTON PIPE	RACCORD POUR TUYAU PISTON	ANSCHLUSSSTUECK FUER KOLBENSCHLAU	
16	098711	BUSSOLA TUBO PISTONE	BUSH PISTON PIPE	DOUVILLE TUYAU PISTON	BUCHSE KOLBENSCHLAUCH	PIE MUEBLE
17	094611	GUARNIZIONE OR	GASKET O-RING	JOINT	DICHTUNG O-RING	GUARNICION
18	094872	SONDA TEMPERATURA CALDAIA	BOILER TEMPERATURE PROBE	SONDE	TEMPERATURSONDE	SONDA DE CALDERA
19	095624	GUARNIZIONE OR 119 EP851	GASKET O-RING 119 EP851	JOINT	SONDENDICHTUNG	GUARNICION
20	099747	CALOTTA SUPERIORE CALDAIA	UPPER BOILER-COVER	COUVERTURE SUP. CHAUDIERE	OBERE BOILERHAUBE	CASQUILLO SUPERIOR
21	092140	GUARNIZIONE OR112	GASKET O-RING 112	JOINT RESIST.93124 CHAUDIERE CAFE	DICHTUNG	GUARNICION
22	099653	RESISTENZA 1450 W	HEATING ELEMENT 1450 W	THERMOPLONGEUR 1450 W	HEIZWIDERSTAND 1450 W	RESISTENCIA 1450 W.
23	099748	GUARNIZIONE	GASKET	JOINT	DICHTUNG	GUARNICION
24	099746	CALOTTA INFERIORE CALDAIA	LOWER BOILER-COVER	COUVERTURE INF. CHAUDIERE	UNTERE BOILERHAUBE	CASQUILLO INFERIOR
25	985318	DADO M6X5	NUT	ECROU	MUTTER	TUERCA M6
26	098758	RACCORDO DIRITTO	STRAIGHT UNION	RACCORD DROIT	GERADES ANSCHLUSSSTUECK	RACORD
27	099398	TUBO MANDATA POMPA	PUMP ACTIVATING TUBE	TUBE REFOULEMENT POMPE	PUMPENAKTIVIERUNGSHOEHRE	TUBO MANDO BOMBA
28	099107	DADO	NUT	ECROU	MUTTER	TUERCA
29	097685	TUBO SILICONE MARRONE 7,5X12"AL MET	SILICONE HOSE BROWN 7,5X12	TUYAU SILICONE BRUN 7,5X12	SCHLAUCH SILIKON BRAUN 7,5X12	TUBO SILICONA MARRON 7,5 X 12
30	097510	TUBO SILICONE 5X9" MARRONE"	SILICONE HOSE 5X9 BROWN	TUYAU SILICONE 5X9 BRUN	SCHLAUCH SILIKON 5X9 BRAUN	TUBO SILICONA 5 X 9
31	098707	CONTATORE VOLUMETRICO	VOLUMETRIC COUNTER	COMPTEUR VOLUMETRIQUE	VOLUMETRISCHER ZAEHLER	DESLIZADOR RETORNO MONEDAS
32	097435	FILTRO ACQUA PERCONT.VOLUMETRICO	WATER FILTER VOLUMETRIC COUNTER	FILTRE D'EAU COMPTEUR VOLUMETRIQUE	FILTER	FILTRO ACQUA
33	097512	TUBO SILICONE 6X12" MARRONE"	SILICONE HOSE 6X12 BROWN	TUYAU SILICONE 6X12 BRUN	SCHLAUCH 6X12 BRAUN	TUBO SILICONA 6 X 12 MARRON
34	0V0191	SUPPORTO POMPA	POMPE SUPPORT	SUPPORTE POMPE	PUMPENHALTER	SOPORTE DE BOMBA
35	093091	AMMORTIZZATORE PER POMPA	PUMP DAMPER	AMORTISSEUR POMPE	GUMMIPUFFER	AMORTIZZADOR BOMBA
36	098815	PROTETTORE TERMICO	THERMIC PROTECTION	PROTECTION THERMIQUE	THERMISCHER SCHUTZ	PROTECTOR TERMICO
37	098760	POMPA (A VIBRAZIONE)	PUMP (VIBRATION)	POMPE (VIBRATION)	PUMPE (VIBRATION)	TIRANTE DE CIERRE DIAM. 90
38	099101	VALVOLA NON RITORNO	NO-RETURN VALVE	SOUPEPE UNIDIRECTIONNELLE	EINWEG-VENTIL	VALVULA NO RETORNO
39	094231	RACCORDO A T	UNION T-SHAPE	RACCORD EN T	T-STUECK	RACORD AT
40	098764	BY-PASS POMPA	BY-PASS PUMP	BY-PASS POMPE	BY-PASS POMPE	BY-PASS
41	097898	PULSANTE UNIPOLARE	UNIPOLAR BUTTON	POUSSOIR UNIPOLAIRE	UNIPOLARE DRUCKTASTE	PULSADOR UNIPOLAR
42	0V1139	CABLAGGIO MENSOLA CAFFE'	COFFEE BRACKET WIRING	CABLAGE ETAGERE CAFE	VERKABELUNG KAFFEEKONSOLE	CABLEO MENSULA CAFE
43	093312	PASSACAPO DA MM 12 ART.46.	WHIPPING DIAM MM 12 ART 46	PASSE-CABLE DE 12MM ART. 46	KABELFUEHRUNG 12MM ART. 46	PASACABLE MM 12 ART.46

© by NECTA VENDING SOLUTIONS - VALBREMBO		Mensola caffè Coffee console Console café Kaffee Konsole Ménsula café	05	GRANMATTINO KRAFT
				11/00

N. COD.	(I) DESCRIZIONE	(UK) DESCRIPTION	(F) DESCRIPTION	(D) BEZEICHNUNG	(E) DESCRIPCION
44 090020	PASSACAVO DA MM 16	WHIPPING MM 16	PASSE-CABLE DE 16 MM	RING DIAM 16 MM	PASACABLE DE 16 MM
45 0V1144	SCIVOLO PASTIGLIE	DOSE CHUTE	TOBOGGAN DES PASTILLES	DOSENRTSCHE	DESILZADOR DE PASTILLAS
46 098566	SUPPORTO MOTORIDUTTORE	MOTOREDUCER SUPPORT	SUPPORT MOTEUREDUCTEUR	TRAGSTUECK MOTORVERMINDERER	CONEXION RAPIDA MANOMETRO
47 096355	MICROINTERRUTTORE	MICRO SWITCH	MICRORUPTEUR	MIKROSCHALTER DOSIERER	MICROINTERRUPTOR
48 098763	MANOVELLA CON PERNO	CRANK WITH PIN	MANIVELLE AVEC PIVOT	KURBEL MIT STIFT	PUERTECILLA CON PERNO
49 098708	MOTORIDUTTORE	MOTOREDUCER	MOTEUREDUCTEUR	MOTOR VERMINDERER	MOTORREDUCTOR

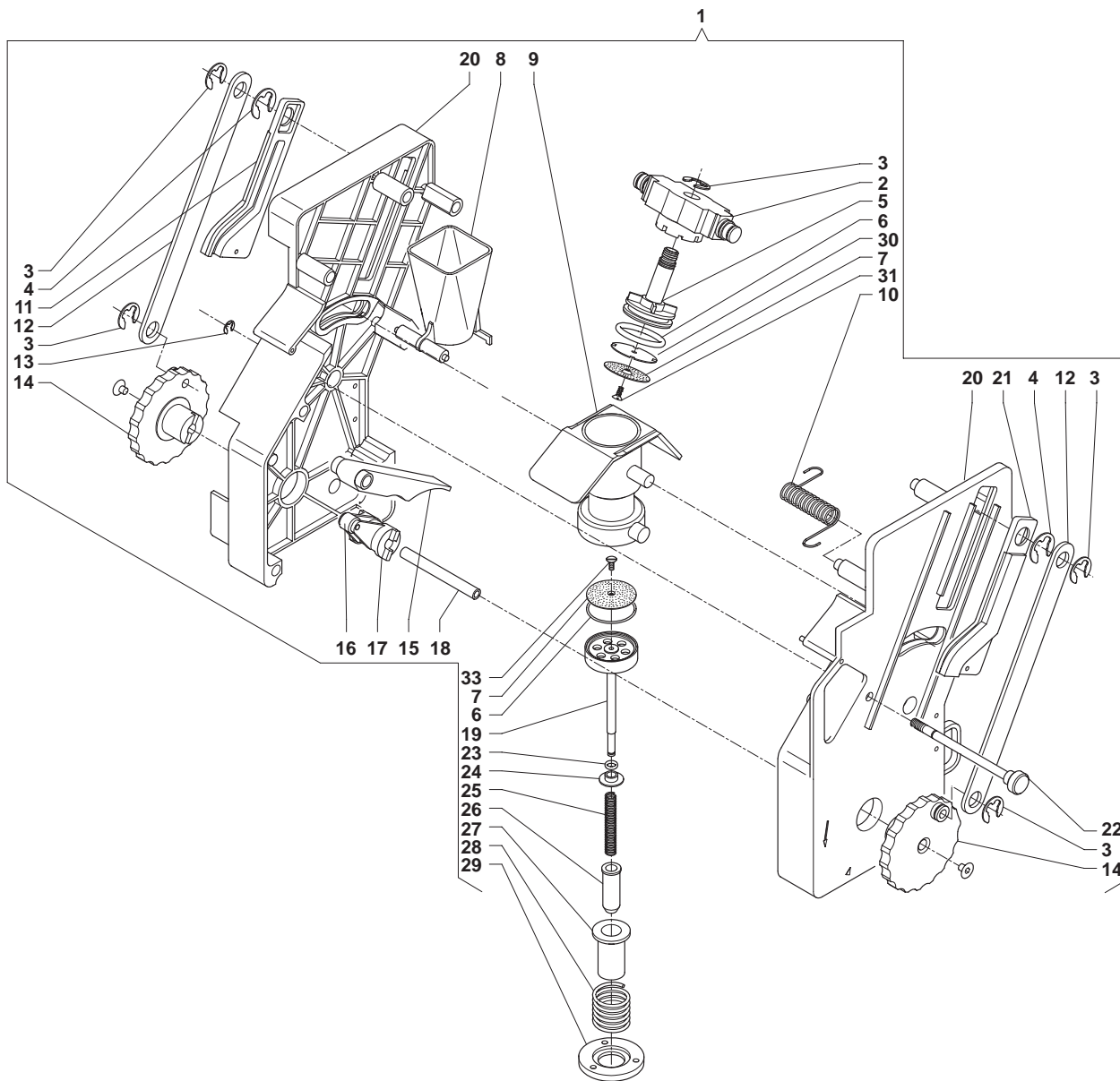
								Mensola caffè Coffee console Console café Kaffee Konsole Ménsula café	05	GRANMATTINO KRAFT
© by NECTA VENDING SOLUTIONS - VALBREMBO										11/00

N.	COD.	(I) DESCRIZIONE	(K) DESCRIPTION	(F) DESCRIPTION	(D) BEZEICHNUNG	(E) DESCRIPCION
AE01	099857	CONTENITORE COMPLETO CON SBATTITORE	CONTAINER COMPLETE WITH BEATER	CONTAINER COMPLETE AVEC BATTEUR	BEHALTER KOMPLETT MIT SCHLAEGER	CONJUNTO CONTENEDOR CON BATIDOR
02	099334	CONTENITORE POLVERI	POWDERS CANISTER	RECIPIENT POUR POUDRES	PULVERBEHALTER	CONTENEDOR PRODUCTO
03	099494	SBATTITORE CONTENITORE	CANISTER-BEATER	BATTEUR CONTENEUR	BEHALTER-SCHLAEGER	BATIDOR CONTENEDOR
04	099442	MOLLA GANCIO	SPRING	RESSORT	FEDER	MUELLE GANCHO
05	099466	COPERCHIO CONTENITORE	LID FOR CONTAINER	COUVERCLE POUR CONTENEUR	DECKEL FUER BEHALTER	TAPADERA CONTENEDOR
06	098812	DISTANZIALE	SPACER	ENTRETOISE	DISTANZSTUECK	DISTANCIADOR
07	095936	RUOTA DENTATA	TOOTHED WHEEL	ROUE DENTEE	ZAHNRAD	RUEDA DENTADA
08	091959	ANELLO BENZING DA MM4	BENZING COLLAR DIAM MM4	CLIP	BENZING-RING 4MM	ANILLO PARA DOSADOR
09	0V1962	PERNO PER RUOTA	PIN FOR WHEEL	PIVOT POUR ROUE	STIFT FUER RAD	PERNO PARA RUEDA
10	095829	GUARNIZIONE OR	GASKET O-RING	JOINT	O-RING	GUARNICION OR-123
11	098609	COCLEA	SCROLL	VIS TRANSPORTEUSE	SPIRALE	SIN FIN VENEZIA COSTANTE
12	095849	GHIERA PER CONTENITORE	CONTAINER RING NUT	EMBOUT	BEHALTER-RING	TUERCA HUSILLO CONTENEDOR
AFT3	099856	MOTORIDUTTORE	MOTOREDUCTOR	MOTOREDUCTEUR	MOTORVERMINDERER	MOTORREDUCTOR
14	099882	PIGNONE	PINION	PIGNON	RITZEL	PINON
15	097502	GRUPPO TARGHETTE PER CONT. SOLUB	NAMEPLATE GROUP CONTAINER INSTANT	ETIQUETTE GROUPE CONTAINER SOLUBI	SCHILDERGRUPPE BEHALTER LOESL. P.	GRUPO TARJETAS PARA CONTEN. SOLUB
16	098939	BOCCHETTA CONTENITORE	CANISTER-OPENING	OUVERTURE CONTENEUR	BEHALTER-OEFFNUNG	BOQUILLA CONTENEDOR
17	097520	IMBUTO ENTRATA POLVERI "MARRONE"	POWDER INLET FUNNEL BROWN	ENTONNOIR D'ENTREE DES POUDRES MAI	DAMPFDOM BRAUN NORMAL	EMBUDO ENTRADA PRODUCTO
18	096926	DEFLETTORE PER IMBUTO H2O	WATER FUNNEL DEFLECTOR	DEFLEKTEUR POUR ENTONNOIR EAU	DEFLEKTOR EINGANG H2O	DEFLECTOR
19	0V0180	IMBUTO ACQUA F.B.	WATER FUNNEL F.B.	CONVOYEUR EAU F.B.	MIXERSCHALE F.B.	EMBUDO AGUA F.B.
20	097912	CONVOGLIATORE PER MIXER	CONVEYOR FOR MIXER	CONVOYEUR POUR MIXER	MIXERFOERDERER	MEZCLADOR
21	099931	UGELLO	NOZZLE	BUSE	DUESE	BOQUILLA
22	099889	DISCO	DISK	DISQUE	SCHIEBE	DISCO ROTACION MOTOAGI. 220 V
23	097911	FLANGIA PER MIXER	FLANGE FOR MIXER	FLASQUE POUR MIXER	FLANSCH FUER MIXER	ARANDELA SOPORTE BATIDOR
24	094540	GUARNIZIONE OR3131	GASKET O-RING 3131	JOINT	MIXERDICHTUNG	GUARNICION PARA ARANDELA
25	099880	GUARNIZIONE	GASKET	JOINT	DICHTUNG	GUARNICION
26	097917	BOCCOLA DI TENUTA	BUSH SEAL	DOUILLE	BUCHSE	GUARNICION PROTECCION MOTOR
27	0V1129	VENTOLINA MIXER	MIXER WHEEL	ROUE DE MIXER	MIXERRAD	RUEDA DE MIXER
28	099331	COPERCHIO CASSETTO	DRAWER LID	COUVERCLE TIROIR	SCHUBLADENDECKEL	TAPA CAJON
29	099330	CASSETTO POLVERI	POWDERS DRAWER	TIROIR POU DRES	SCHUBLADE FUER PULVER	CAJON RESIDUOS PRODUCTO
30	097512	TUBO SILICONE 6X12 "MARRONE"	SILICONE HOSE 6X12 BROWN	TUYAU SILICONE 6X12 BRUN	SCHLAUCH 6X12 BRAUN	TUBO SILICONA 6 X 12 MARRON
31	099837	UGELLO	NOZZLE	BUSE	DUESE	BOQUILLA
32	0V2669	SUPPORTO DESTRO UGELLI	RIGHT SPOUT SUPPORT	SUPPORT DROIT DE BECS	DUSENHALTER RECHT	SOPORTE DERECHO BOQUILLA
33	090021	PASSACAVO DIAM. 10,5 MM	WHIPPING DIAM 10.5 MM	PASSE FIL DIAM. 10.5 MM	RING DIAM 10.5 MM	PASACABLE
34	099773	VITE	SCREW	VIS	SCHRAUBE	TORNILLO
35	0V0526	ATTACCO TUBO ASPIRAZIONE	SUCTION PIPE CONNECTION	RACCORD TUBE D'ASPIRATION	ANSAUGSCHLAUCHANSCHLUSS	FIJACION TUBO DE ASPIRACION
36	096459	TUBO DIAM. 32	HOSE DIAM 32	TUBE FLEXIBLE DIAM. 32	ABSaugKANAL	TUBO DIAM 32
37	098703	ATTACCO TUBO VENTILATORE	VENTILATOR PIPE CONNECTION	CONNEXION TUYAU VENTILATEUR	FLUEGELRADSCHLAUCH-ANSCHLUSS	CONEXION TUBO VENTILADOR
38	098808	MOTORFRULLATORE	MOTORMIXER	MOTEURMELANGEUR	MOTORMIXER	MOTOAGITADOR
39	098583	ELETTROVENTILATORE	ELECTROVENTILATOR	ELECTROVENTILATEUR	ELEKTROVENTILATOR	TORNILLO FIJACION MOTOR
40	099838	TAPPO	STOPPER	BOUCHON	STOEPSSEL	TAPON
41	097879	VITE 3,9X9,5 NICHELATA	NICKELPLATED SCREW	VIS NICKELEE	SCHRAUBE VERNICKELT	TORNILLO 9 X 9
42	0V2693	BOCCHETTA EROGAZIONE	DISPENSING OPENING	OUVERTURE DE DISTRIBUTION	AUSGABEOEFFNUNG	ORIFICIO DE SUMINISTRO
	AE	PER CIOCCOLATA	FOR CHOCOLATE	POUR CHOCOLAT	FUR SCHOKOLADE	POR CHOCOLATE
	AF	PER CAFFE	FOR COFFEE	POUR CAFE	FUR KAFFEE	POR CAFE

© by NECTA VENDING SOLUTIONS - VALBREMBO		Mixer e contenitori Mixer and canister Moteur doseur de poudres Lösliche Produkte Dosiermotor Motodosificador productos	06	GRANMATTINO KRAFT
				11/00

N.	COD.	(J) DESCRIZIONE	(UK) DESCRIPTION	(F) DESCRIPTION	(D) BEZEICHNUNG	(E) DESCRIPCION
01	099336	MACININO	GRINDER	MOULIN A CAFE	KAFFEEMUEHLE	MOLINILLO
02	099732	MOTORE MACININO	GRINDER MOTOR	MOTEUR BROYEUR	MUEHLENMOTOR	MOTOR MOLINILLO
03	099468	SUPPORTO	SUPPORT	SUPPORT	VERSTAERKUNG	SOPORTE
04	099470	RUOTA CON ALBERO	SHAFT WHEEL	ROUE AVEC ARBRE	RAD MIT WELLE	PIWON CON EJE BRIO
05	098293	SPINA ELASTICA 3X14	ELASTIC PLUG	FICHE ELASTIQUE	ELASTISCHER STECKER	PASADOR 3 X 14
06	095803	CUSCINETTO RADIALE	RADIAL BEARING	ROULEMENT	RADIALLAGER	COJINETE
07	099469	CALOTTA	CAP	CALOTTE	SCHUTZKAPPE	TAPA
08	099457	ROSETTA	WASHER	RONDELLE	SCHIBE	ARANDELA
09	099484	GOMMINO	LITTLE RUBBER	PIECE CAOUTCHOUC	KLEINE DICHTUNG	GOMA
10	099474	VITE DI REGOLAZIONE	REGULATION SCREW	VIS DE REGLAGE	REGULIERSCHRAUBE	TORNILLO FIJACION MOLIENDA
11	093171	ANELLO ARRESTO X ESTERNI DA MM6	OUTER FIXING COLLAR DIAM MM6	ANNEAU D ARRET	ARRETERUNGSRING EXTERN DURCHM. 6	ARANDELA GRUPILLA
12	093271	ANELLO DI TENUTA CAFFE'	COFFEE JUNK RING	JOINT	DICHTUNGSRING KAFFEE	RETEN
13	093187	CUSCINETTO REGGISPINTA	THRUST BEARING	ROULEMENT	DRUCKLAGER KA-MUEHLE	RETEN SEPARADOR MOLINILLO
14	095802	VENTOLA PORTAMACINA	GRINDER HOLDER IMPELLER	SUPPORT MEULE	FLUEGEL MAHLWERKHALTER	TURBINA PORTAMUELA
15	095809	VITE TRILOBATA	SELF-THREADING SCREW (M4)	VIS TRILOBEE	SCHRAUBE DREILAPPIG	TORNILLO 3 LOBULOS
16	097879	VITE 3,9X9,5 NICHELATA	NICKEL PLATED SCREW	VIS NICKELEE	SCHRAUBE VERNICKELT	TORNILLO 9 X 9
17	095840	MACINA	GRINDER	MEULE	MUEHLE	MUELA
18	095805	GUARNIZIONE OR	GASKET O-RING	JOINT	DICHTUNG O-RING	GUARNICION
19	099473	PORTAMACINA	GRINDER HOLDER	PORTE-MEULE	MUEHLENHALTER	PORTAMUELA
20	096988	ROSETTA	WASHER	RONDELLE	BEILAGSSCHIBE	ABRAZADERA PLANA
21	099471	MOLLA	SPRING	RESSORT	FEDER	MUELLE
22	099472	VITE SINISTRA	LEFT SCREW	VIS GAUCHE	LINKE SCHRAUBE	TORNILLO IZQUIERDO
23	0V1149	CONTENITORE CAFFE' COMPLETO	COFFEE CONTAINER ASSEMBLY	ENSEMBLE RECIPIENT A CAFE	KAFFEEBEHALTER, VOLLKOMM.	CONJ. CONTENEDOR CAFÈ
24	0V1615	COPERCHIO CONT. CAFFE' GRIGIO	COFFEE CONTAINER LID GREY	COUVERCLE CONT. CAFE GRIS	DECKEL KAFFEEBEHALTER GRAU	TAPA CONTENEDOR CAFE GRIS
25	099337	DOSATORE CAFFE'	COFFEE DOSER	DOSEUR CAFE	KAFFEEDOSIERER	DOSADOR CAFE
26	099475	ATTUATORE	ACTUATOR	ACTUATEUR	AKTUATOR	ACTUADOR
27	092657	VITE TAPITITE 3X6TC CROSS	CROSS SLOT SCREW 3X6TC	VIS A TETE CRUCIFORME 3X6TC	KREUZSCHLITZSCHRAUBE 3X6TC	TORNILLO TAPITITE 3X6TC CROSS
28	098716	ELETTROMAGNETE 220V	ELECTROMAGNET 220V	ELECTRO-AIMANT 220V	ELEKTROMAGNET 220V	ELECTROMAN 220 V
29	098822	PERNO PER LEVA	PIN FOR LEVER	PIVOT POUR LEVIER	STIFT FUER HEBEL	PERNO PARA LEVA
30	098642	PORTELLO DOSATORE CAFFE'	SHUTTER COFFEE-DOSER	PORTILLON DOSEUR DE CAFE	KLAPPE KAFFEEDOSIERER	PROTECCION PARA ETIQUETAS
31	0V2131	MICRO BURGESS	MICRO BURGESS	MICRO BURGESS	MICRO BURGESS	MICRO BURGESS
32	096097	VITE	SCREW	VIS	SCHRAUBE	TORNILLO
33	098643	REGOLO DOSE CAFFE'	RULE COFFEE-DOSES	REGLE DOSES DE CAFE	LEISTE KAFFEEDOSIERUNG	ELEMENTO ANTHUNDIMIENTO
34	098644	LEVA PER REGOLO	LEVER FOR RULE	LEVIER POUR REGLE	HEBEL FUER LEISTE	PERFIL PANEL IZQUIERDO
35	098696	MOLLA ELETTROMAGNETE DOSATORE	SPRING DOSER ELECTROMAGNET	RESSORT ELECTRO-AIMANT DOSEUR	FEDER DOSIERER-ELEKTOMAGNET	MUELLE ELECTROMAN DOSADOR
36	093832	PERNO PER BIELLA	ROD PIVOT	AXE POUR 93205	BOLZEN TRIEBSTANGE	PASADOR CONICO
37	094128	CLIP ARRESTO PULSANTE	BUTTON GRIP CLIP	CLIP	SICHERUNGSFEDER	CLIP
38	093106	MOLLA PER ASTA BLOCCO COP.	BLOCK ROD SPRING COVER	RESSORT CONTAINER CAFE	DRUCKFEDER	MUELLE PARA EJE CIEERE TAPA
39	093103	FELTRINO	FELT PAD	FILTRE	FILZ	FIELTRO
40	094635	CLIPS	CLIP	AGRAFE	CLIP	CLIP
41	093105	ASTA DI BLOCCO PER COPER.	LID BLOCK ROD	AXE BLOCCAGE COUVERCLE	DECKELBLOCKIERSTANGE	EJE CIERRE TAPA
42	093104	PIASTRINA X FELTRINO	FELT DISK	PLAQUETTE	SCHIBE FUER FILZ	PLACA X FIELTRO
43	092161	ROSETTA PER VENTOLINA DA MM 6,4X	FAN WASHER MM 6,4X130,6	RONDELLE POUR HELICE	ROSETTE FLUEGEL	ARANDELA PARA PALOMILLA

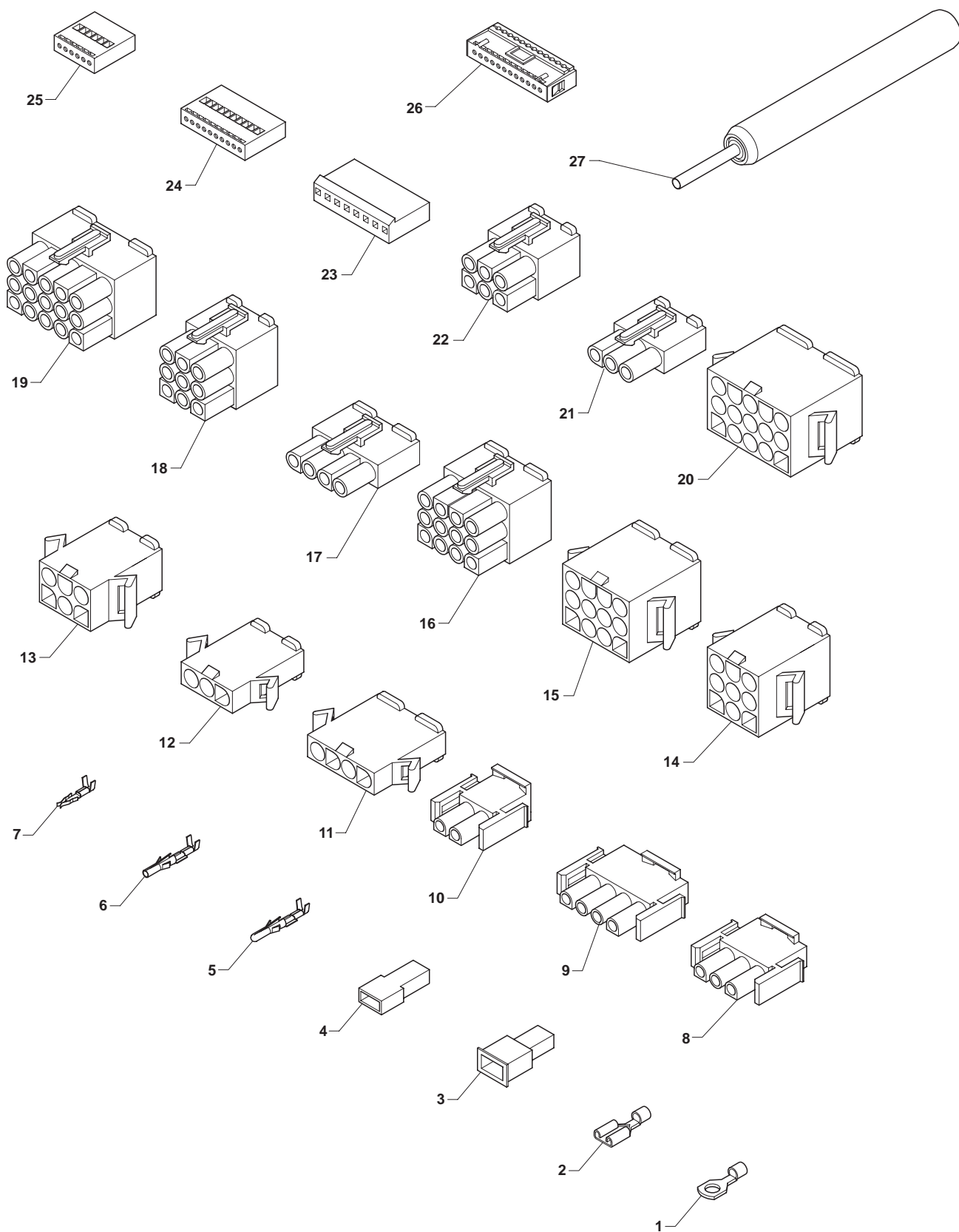
© by NECTA VENDING SOLUTIONS - VALBREMBO		Macinadosatore Grinder doser unit Moulin doseur Kaffeemühle- Dosierer Molinillo dosificador	07	GRANMATTINO KRAFT
				11/00



								Gruppo caffè Coffee unit Groupe café Kaffee Aggregat Unidad café	08	GRANMATTINO KRAFT
© by NECTA VENDING SOLUTIONS - VALBREMBO										11/00

N.	COD.	(1) DESCRIZIONE	(K) DESCRIPTION	(F) DESCRIPTION	(D) BEZEICHNUNG	(E) DESCRIPCION
01	0V1358	GRUPPO CAFFE' Z2000M	CROSS-BAR	BARRE TRANSVERSALE	QUERSTANGE	PERFIL PUERTA SUP./INFE.
02	098568	TRAVESSA	FIXING COLLAR DIAM MM10	COLLIER DE FIXATION DIA. 10MM	RING DURCHM. 10MM	ANILLO DE CIERRE
03	092717	ANELLO D'ARRESTO D.MM10	FIXING COLLAR DIAM 12	COLLIER DE FIXATION DIAM.12	APRETIERUNGSRING DURCHM.12	ANILLO DE TENCION DIAM 12
04	096569	ANELLO DI ARRESTO DIAM.12	UPPER PISTON	PISTON SUPERIEUR	OBERER KOLBEN	SEVALADOR LUMIN. 24 V VERDE.
05	098577	PISTONE SUPERIORE	SILICONE GASKET OR 4118	JOINT DE PISTON	SILIKONDICHTUNG OR 4118	GUARNICION PISTON
06	093167	GUARNIZ.SILICONE OR 4118.	COFFEE FILTER	FILTRE CAFFE	KAFFEEFILTER	PALETA
07	098687	FILTRO CAFFE'	COFFEE CHUTE	GLISSIERE POUR CAFE	KAFFEEERUTSCHE	PERFIL LATERAL
08	098570	SCIVOLO CAFFE'	BREWING CHAMBER WITH PLUG	CHAMBRE D'INFUSION AVEC BOUCHON	BRUEHKAMMER MIT STOPFEN	CAMARA INFUSION CON TAPON
09	0V1715	CAMERA INFUSIONE CON TAPPO	SCRAPER	RACLEUR	KRAETZER	ARRASTRADOR
10	098920	RASCHIATORE	REAR SLEDGE	TRANEAU POSTERIEUR	HINTERER SCHLITTEN	FRONTAL PUERTA
11	098571	SLITTA POSTERIORE	TRACE FOR PISTON COMMAND	BIELLE POUR COMMANDE PISTON	PLEUELSTANGE FUER KOLBENBEFEHL	SOPORTE CIRCUITO ELECTRICO
12	098565	BIELLA COMANDO PISTONE	STOPPING RING D.4	ANNEAU D'ARRET D.4	APRETIERUNGSRING D.4	ANILLO FRENO DIAMETRO 4
13	098818	ANIELLO ARRESTO DIAM. 4	CRANK	MANIVELLE	KURBEL	RAMPA CAIDA BOTES
14	098573	MANOVELLA	OSCILLATING LEVER	LEVIER OSCILLANT	BEWEGLICHER HEBEL	RAMPA CAIDA MONEDAS
15	098575	LEVA OSCILLANTE	ROTATING LEVER ROLL	LEVIER ROULANT DE ROULEMENT	ROTIERENDER GRIFF ROLLE	RULINO LEVA ROTANTE
16	098692	RULLINO LEVA ROTANTE	ROTATING LEVER	LEVIER ROTATIF	ROTIERENDER HEBEL	RULINO LEVA ROTANTE
17	098574	LEVA ROTANTE	ROD CRANK BLOCKING	TIRANT BLOCAGE DE MANIVELLE	ZUGSTANGE KURBELBLOCKIERUNG	TRANSFORMADOR 220/24
18	098693	TIRANTE BLOCCAGGIO MANOVELLA	LOWER PISTON	PISTON INFERIEUR	UNTERER KOLBEN	TIRANTE BLOQUEO MANIVELA
19	0V1716	PISTONE INFERIORE	FRONT AND REAR SHOULDER	EPAULE ANTERIEURE ET POSTERIEURE	VORDERE UND HINTERE SCHULTER	PISTON INFERIOR
20	0V1714	SPALLE ANTERIORE E POSTERIORE	FRONT SLEDGE	TRANEAU ANTERIEUR	VORDERER SCHLITTEN	LADO ANTERIOR Y POSTERIOR
21	098572	SLITTA ANTERIORE	ROD WITH KNUURL	TIRANT AVEC GODRON	ZUGSTANGE MIT RAENDEL	PUERTA PLANA
22	098694	TIRANTE CON GODRONE	GASKET	JOINT	DICHTUNG	TIRANTE
23	090421	GUARNIZIONE	CONTROL BUSH	DOUILLE DE CONTROLE	HALTSEITENDRUCK-BUECHSE	GUARNIC. VALVULA NO RETORNO
24	098690	BOCCOLA CONTENIMENTO	PISTON RETURN SPRING	RESSORT RETOUR PISTON	FEDER KOLBENRUECKFUHRUNG	GUARNICION
25	098688	MOLLA RITORNO PISTONE	LOWER PISTON GUIDE	GUIDE PISTON INFERIEUR	FUEHRUNG UNTERER KOBEN	PORTILLO RETORNO MONEDAS
26	098691	GUIDA PISTONE INFERIORE	LID FOR SPRING	CAPUCHON POUR RESSORT	HAUBE FUER FEDER	GUIA PISTON INFERIOR
27	098567	CAPPUCCIO PER MOLLA	PREINFUSION SPRING	RESSORT PREINFUSION	FEDER VORBRUEHUNG	PERFIL EXTERNO DERECHO
28	098689	MOLLA PREINFUSIONE	FLANGE FOR SPRING	FLASQUE POUR RESSORT	FLANSCH FUER FEDER	CABLEADO BOTELLERO STANDARD
29	098569	FLANGIA PER MOLLA	WATER DEFLECTOR	DEFLECTEUR DE L'EAU	WASSERDEFLEKTOR	PANEL PUBLICITARIO
30	0V1789	DEFLETTORE ACQUA	VITE INOX M 3X10	VIS M 3X10	SCHRAUBE INOX M 3X10	DEFLECTOR AGUA
31	0V1963	VITE INOX M 3X10				TORNILLO INOX M 3X10

© by NECTA VENDING SOLUTIONS - VALBREMBO	Gruppo caffè Coffee unit Groupe café Kaffee Aggregat Unidad café	08	GRANMATTINO KRAFT
			11/00



									Connettori e terminali Pin and connectors Connecteurs et bornes Verbinder und Anschlußklemme Conectores y bornes	09	GRANMATTINO KRAFT
© by NECTA VENDING SOLUTIONS - VALBREMBO										11/00	

N.	COD.	(1) DESCRIZIONE	(UK) DESCRIPTION	(F) DESCRIPTION	(D) BEZEICHNUNG	(E) DESCRIPCION
01	090957	TERMINALI AD OCCHIELLO	EYELET TERMINAL	TERMINAUX A Oeil	KONTAKT M	TERMINAL DE OJO
02	090959	FASTON SENZA LINGUELLA	FASTON W/O TONGUE	COSSE FEMELLE	KONTAKT F	FASTON SIN LENG_ETA
03	091192	COPRIFASTON MASCHIO	FASTON COVER	CACHE COSSE	FASTONSCHEUTZ	CUBREFASTON MACHO
04	090247	COPRIFASTON FEMMINA	FEMALE FASTON COVER	CACHE COSSE	FASTONSCHEUTZ	CUBREFASTON HEMBRA
05	095955	TERMINALE MASCHIO	TERMINAL MALE	FICHE MALE	KONTAKT M	TERMINAL MACHO
06	096136	TERMINALE FEMMINA	TERMINAL FEMALE	BORNE FEMELLE	KONTAKT F	TERMINAL HEMBRA
07	094405	TERMINALE FEMMINA PASSO 2.5	TERMINAL FEMALE 2.5	BORNE FEMELLE PAS 2.5	KABELSCHUH 2.5	TERMINAL HEMBRA
08	094954	CONNETTORE P.F. 3 VIE	FEMALE HOLDER CONNECTOR 3-WAYS	CONNECTEUR 3 VOIES	STECKERGEHAEUSE 3-POL.	CONNECTOR P.F. 3 V
09	098062	CONNETTORE 4 VIE MATE-N-LOK AMP	4-WAY CONNECTOR MATE-N-LOK AMP	CONNECTEUR 4-VOIES MATE-N-LOK AMP	4-WEG VERBINDER MATE-N-LOK AMP	CONNECTOR 4 VIAS MATE-N-LOK AMP
10	094955	CONNETTORE P.F. 2 VIE	FEMALE HOLDER CONNECTOR 2-WAYS	CONNECTEUR 2 VOIES	VERBINDUNGSDOSE 2-POLIG	CONNECTOR P.F. 2 V.
11	0V0809	CONNETTORE 4 VIE/P MOLEX 3191	4-PIN CONNECTOR/P MOLEX 3191	CONNECTEUR 4 POLES/P MOLEX 3191	4-STIFT-STECKER/P MOLEX 3191	CONNECTOR DE 4 VIAS/P MOLEX 3191
12	0V0808	CONNETTORE 3 VIE/P MOLEX 3191	3-PIN CONNECTOR/P MOLEX 3191	CONNECTEUR 3 POLES/P MOLEX 3191	3-STIFT-STECKER/P MOLEX 3191	CONNECTOR DE 3 VIAS/P MOLEX 3191
13	0V0810	CONNETTORE 6 VIE/P MOLEX 3191	6-PIN CONNECTOR/P MOLEX 3191	CONNECTEUR 6 POLES/P MOLEX 3191	6-STIFT-STECKER/P MOLEX 3191	CONNECTOR DE 6 VIAS/P MOLEX 3191
14	0V0811	CONNETTORE 9 VIE/P MOLEX 3191	9-PIN CONNECTOR/P MOLEX 3191	CONNECTEUR 9 POLES/P MOLEX 3191	9-STIFT-STECKER/P MOLEX 3191	CONNECTOR DE 9 VIAS/P MOLEX 3191
15	0V0812	CONNETTORE 12VIE/P MOLEX 3191	12-PIN CONNECTOR/P MOLEX 3191	CONNECTEUR 12 POLES/P MOLEX 3191	12-STIFT-STECKER/P MOLEX 3191	CONNECTOR DE 12 VIAS/P MOLEX 3191
16	0V0818	CONNETTORE 12VIE/R MOLEX 3191	12-PIN CONNECTOR/P MOLEX 3191	CONNECTEUR 12 POLES/P MOLEX 3191	12-STIFT-STECKER/P MOLEX 3191	CONNECTOR DE 12 VIAS/P MOLEX 3191
17	0V0815	CONNETTORE 4 VIE/R MOLEX 3191	4-PIN CONNECTOR/P MOLEX 3191	CONNECTEUR 4 POLES/P MOLEX 3191	4-STIFT-STECKER/P MOLEX 3191	CONNECTOR DE 4 VIAS/P MOLEX 3191
18	0V0817	CONNETTORE 9 VIE/R MOLEX 3191	9-PIN CONNECTOR/P MOLEX 3191	CONNECTEUR 9 POLES/P MOLEX 3191	9-STIFT-STECKER/P MOLEX 3191	CONNECTOR DE 9 VIAS/P MOLEX 3191
19	0V0819	CONNETTORE 15VIE/R MOLEX 3191	15-PIN CONNECTOR/P MOLEX 3191	CONNECTEUR 15 POLES/P MOLEX 3191	15-STIFT-STECKER/P MOLEX 3191	CONNECTOR DE 15 VIAS/P MOLEX 3191
20	0V0813	CONNETTORE 15VIE/P MOLEX 3191	15-PIN CONNECTOR/P MOLEX 3191	CONNECTEUR 15 POLES/P MOLEX 3191	15-STIFT-STECKER/P MOLEX 3191	CONNECTOR DE 15 VIAS/P MOLEX 3191
21	0V0814	CONNETTORE 3 VIE/R MOLEX 3191	3-PIN CONNECTOR/P MOLEX 3191	CONNECTEUR 3 POLES/P MOLEX 3191	3-STIFT-STECKER/P MOLEX 3191	CONNECTOR DE 3 VIAS/P MOLEX 3191
22	0V0816	CONNETTORE 6 VIE/R MOLEX 3191	6-PIN CONNECTOR/P MOLEX 3191	CONNECTEUR 6 POLES/P MOLEX 3191	6-STIFT-STECKER/P MOLEX 3191	CONNECTOR DE 6 VIAS/P MOLEX 3191
23	093992	CONNETT.A PETT.P.F.8VIE	CHASER CONNECTOR FEMALE HOLDER 8-PIN	CONNECTEUR	VERBINDUNGSDOSE 8-POLIG	CONNECTOR
24	094404	CONNETTORE P.F.12 VIE PASSO 2,5	FEMALE HOLDER CONNECTOR 12-WAYS 2.5	CONNECTEUR DE SUPPORT 12 VOIES PAS 2.5	VERBINDUNGSDOSE 12-WEG 2.5	CONNECTOR P.F. 12 V PASSO 2.5
25	094712	CONNETTORE STOKO 6 VIE P.F	FEMALE HOLDER CONNECTOR STOKO 6-PIN	CONNECTEUR FEMELLE	STECKER 6-POLIG	CONNECTOR
26	094961	CONNETTORE P.F. STOKO A P.I. 12 VI	FEMALE HOLDER CONNECTOR P.I. 12-W	CONNECTEUR FEMELLE 12 VOIES	STECKER 12-POL.	CONNECTOR 12 VIAS.
27	0V0820	ESTRATTORE DI CONTATTI MOLEX	MOLEX CONTACT PULLER	EXTRACTEUR DE CONTACTS MOLEX	KONTAKTAUSZIEHER MOLEX	EXTRACTOR DE CONTACTOS MOLEX

© by NECTA VENDING SOLUTIONS - VALBREMBO			Connettori e terminali Pin and connectors Connecteurs et bornes Verbinder und Anschlußklemme Conectores y bornes	09	GRANMATTINO KRAFT
					11/00

Il Costruttore si riserva il diritto di modificare, senza preavviso, le caratteristiche delle apparecchiature presentate in questa pubblicazione; declina inoltre ogni responsabilità per le eventuali inesattezze imputabili ad errori di stampa e/o trascrizione contenute nella stessa.

Le istruzioni, i disegni, le tabelle e le informazioni in genere contenute nel presente fascicolo sono di natura riservata e non possono essere riprodotte ne completamente ne parzialmente od essere comunicate a terzi senza l'autorizzazione scritta del Costruttore che ne ha la proprietà esclusiva.

The manufacturer reserves the right to modify, without prior notice, the characteristics of the equipment described in this publication; and further declines to accept any responsibility for any inaccuracies contained in this publication which can be ascribed to printing and/or transcription errors. All instructions, drawings, tables and information contained in this publication are confidential and can neither be reproduced, completely or in part, nor be transmitted to third parties without the written permit of the Manufacturer, who has the sole ownership.

Le fabricant se réserve le droit de modifier, sans préavis, les caractéristiques des appareils présentés dans cette publication; en outre, elle decline toute responsabilité pour d'éventuelles inexactitudes imputables à des erreurs d'impression et/ou de transcription.

Tous droits de reproduction, complète ou partielle, des instructions, des dessins, des tableaux et de toutes les informations contenues dans cette publication sont réservés. Aucune communication à un tiers ne peut être faite sans une autorisation par écrit du Constructeur qui en a la propriété exclusive.

Der Hersteller behält sich das Recht vor, die Eigenschaften der hier beschriebenen Geräte ohne Voranzeige zu ändern und lehnt gleichzeitig jede Verantwortung für mögliche Unrichtigkeiten ab, die auf Druckfehler oder Abschreibfehler zurückzuführen sind.

Alle Anweisungen, Zeichnungen, Tabellen und Informationen, die im allgemeinen im vorliegenden Band enthalten sind, müssen als vertraulich betrachtet werden und können weder teilweise noch vollständig reproduziert bzw an Dritte ohne die schriftliche Ermächtigung des Herstellers weitergegeben werden, der das Alleineigentum besitzt.

El Constructor se reserva el derecho de modificar, sin previo aviso, las características de los aparatos presentados en esta publicación; además, declina toda responsabilidad por los eventuales inexactitudes imputables a errores de imprenta y/o transcripción contenidas en la misma.

Las instrucciones, los dibujos, las tablas y las informaciones en general contenidos en este fascículo son de tipo reservado y no se pueden reproducir, completamente o en parte, ni comunicar a terceros si la autorización escrita del Fabricante, el cual tiene la propiedad exclusiva.

