

---

USER MANUAL

---

# Koro

## Espresso

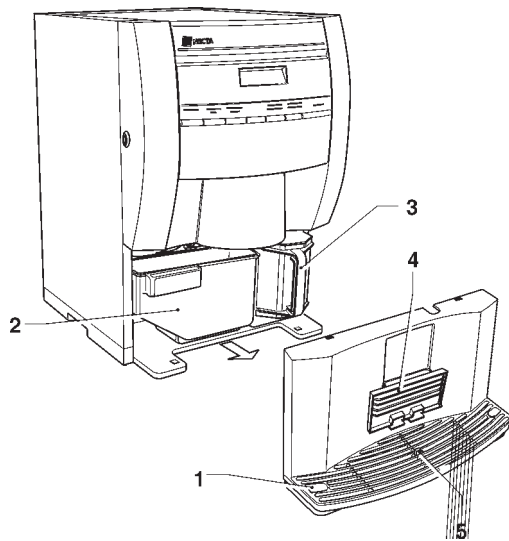
UK

English

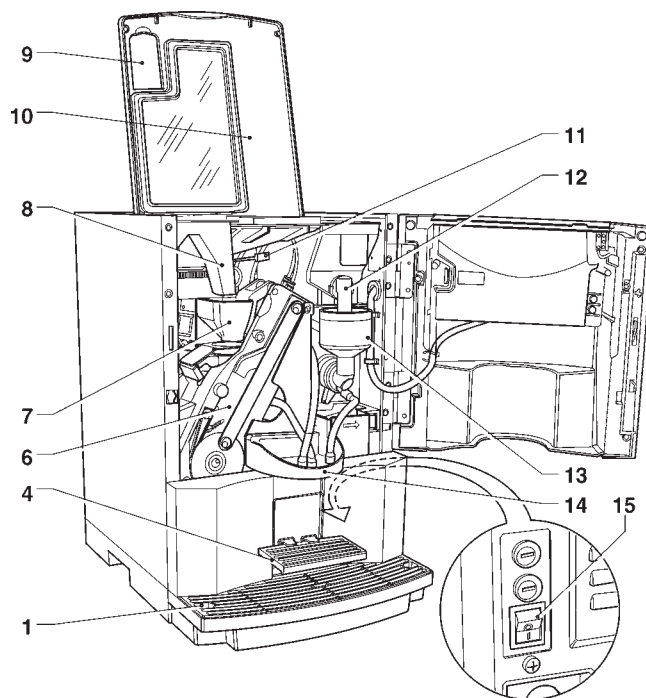


DOC. NO.	<b>H 257U 00</b>
UK rev1	09 - 2005

# KORO ESPRESSO



- 1 - Drip tray
- 2 - Coffee grounds container
- 3 - Drinking water tank
- 4 - Tilting cup support
- 5 - Red indicator for full liquid container\*
- 6 - Brewer unit
- 7 - Coffee funnel
- 8 - Chute for decaffeinated coffee
- 9 - Decaffeinated loading hatch
- 10 - Machine top panel
- 11 - Coffee hopper shutter
- 12 - Powder feeder
- 13 - Instant prod. mixer
- 14 - Dispensing spouts support tray
- 15 - Main external switch



## **IMPORTANT NOTICE!**

\*It is advisable to check the red float indicator: if it lifts past the grid, it means that the liquid waste container is full and must be emptied immediately.

# Koro ESPRESSO

---

## CONTENTS OF THE MANUAL

The user manual contains information that is particularly important and that concerns the use and routine maintenance of the machine.

It is advisable to read it carefully: only this way you can get the best results in full safety.

It is advisable to keep this booklet safely near the machine, permitting its consultation to any user.

The manual must always follow the machine when placed in a new location or sold.

*Information is organised according as follows:*

**- How to select a drink:**

*detailed guide to the selection and dispensing functions*

**- Operations to be carried out with the door closed:**

*switching on, preliminary controls, switching off, emptying the waste containers, refilling with water.*

**- Operations to be carried out with the door open:**

*refilling with products, periodic cleaning*

**- Checks to be carried out before contacting Technical Assistance**

## PLACE OF INSTALLATION

The machine must be positioned ensuring that:

- the room is dry
- the temperature is between 2° and 32°C
- the support surface is perfectly level
- in the area, water jets are never used for cleaning

**N.B. The machine cannot be used outdoor.**

## SAFETY PRECAUTIONS

Connection to the power supply and all maintenance or repair operations that are not described in this manual must be performed by professionally qualified personnel, informed on the specific risks connected with the use of electrical devices, as well as instructed on the respect of health regulations.

## INSTALLATION AND ASSISTANCE

Connection to the power supply and any maintenance operations must be carried out by qualified personnel, who are trained in the correct use of the machine and are aware of the

# KORO ESPRESSO

---

specific risks in using electrical appliances.

## USING THE MACHINE

This manual explains how to perform drink selection operations, refilling and routine cleaning.

The machine is to be used only for preparing drinks obtained by:

- brewing coffee
- reconstituting instant and lyophilised products.

Such products should be declared by the manufacturer as “suitable for automatic vending in open containers”.

**After dispensing, the drinks must be consumed immediately and should never be preserved and/or packaged for later consumption.**

Any other use of the machine or of the dispensed product is to be considered improper and thus potentially dangerous.

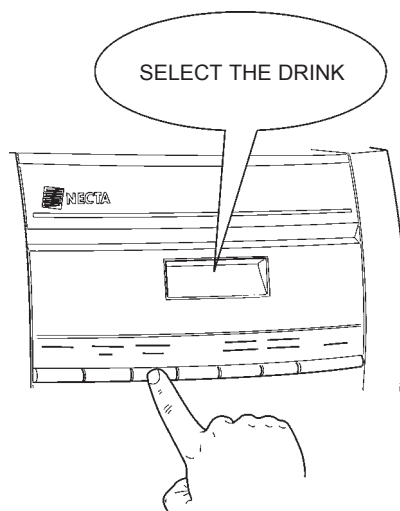
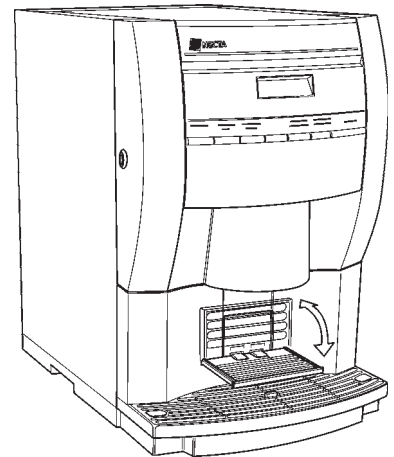
**For cleaning it is advisable to:**

- Use normal detergents for dishware
- Never direct water jets to the machine

# KORO ESPRESSO

## HOW TO SELECT A DRINK

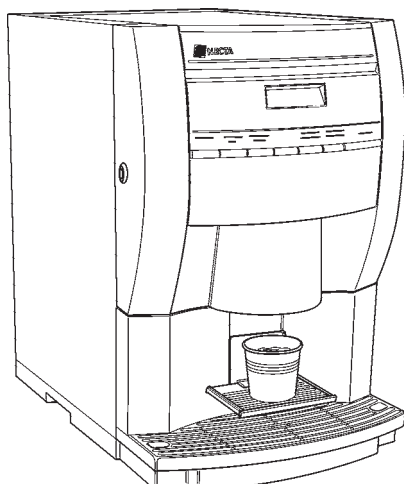
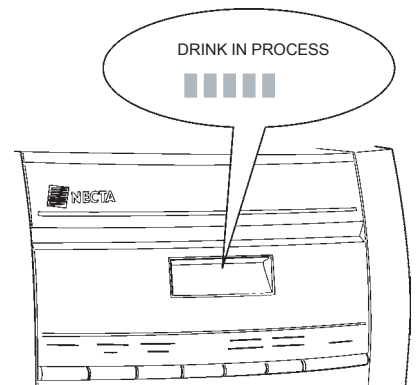
Place the mug or the cup on the grille.  
The grille can be lifted in order to use larger containers.



Press a selection button

Wait for the bar on the display to be complete and showing the message

“Take drink”

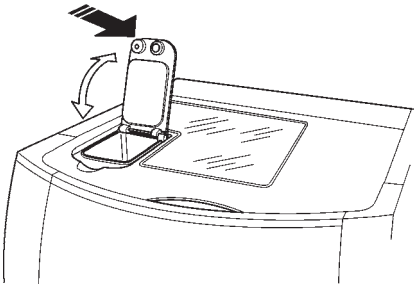


### Warning!

The dispensed drink is very hot and can cause burns:  
handle the containers with the utmost care and wait a few moments before drinking.

# KORO ESPRESSO

---



## FOR SELECTING DECAFFEINATED COFFEE (OR OTHER GROUND BLENDS)

The machine can dispense decaffeinated coffee or other drinks from ground blends. In order to select one of these drinks it is necessary to:

open the special hatch located on the machine top panel.

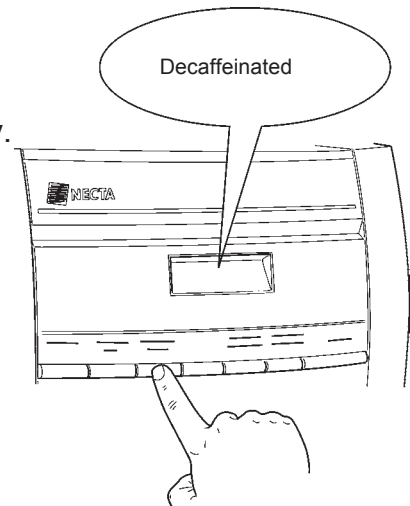
The message “Decaffeinated” will start blinking on the display.

Introduce a product dose

close the hatch

make a selection as usual.

Wait until dispensing is completed and pick up the drink.



## RESTORING THE STANDARD CONFIGURATION

**Warning!** After each decaffeinated selection the machine returns automatically to the normal configuration.

In the event of not actually proceeding to making a selection for the decaffeinated drink, the machine holds in memory the “Decaffeinated” input.

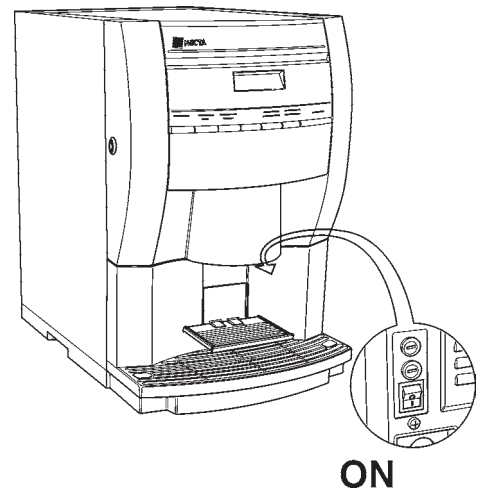
Therefore, it must be reset manually to the standard configuration by pressing the special button “*Cancel decaffeinated*”.

# KORO ESPRESSO

## OPERATIONS TO BE CARRIED OUT WITH THE DOOR CLOSED

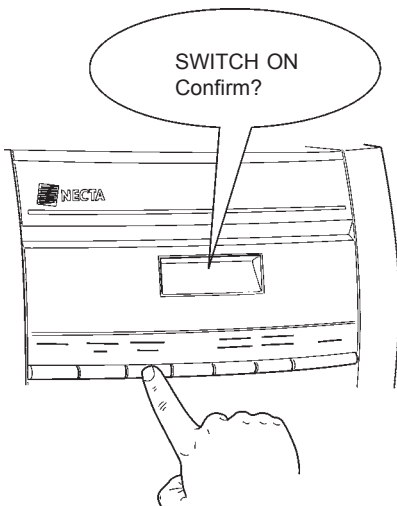
### Switching on

Set the main external switch located at the back, in the lower right side, to "ON".



### Preliminary controls

Before starting operation, the machine presents a series of controls to be made, showing their order on the display.



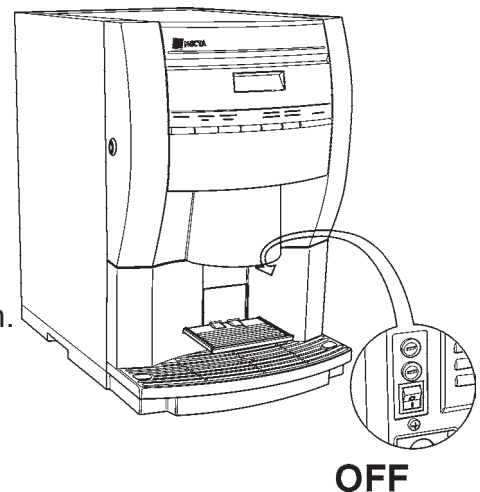
- Close top panel
- Piping (control referred to the spouts)
- Mixers
- Powder feeder
- Coffee shutter
- Switch on

Each indicated control is followed on the display by the request: "Confirm?".

To continue, press any selection button until the end of the list.

### Switching off

To switch off the machine use the main external switch.



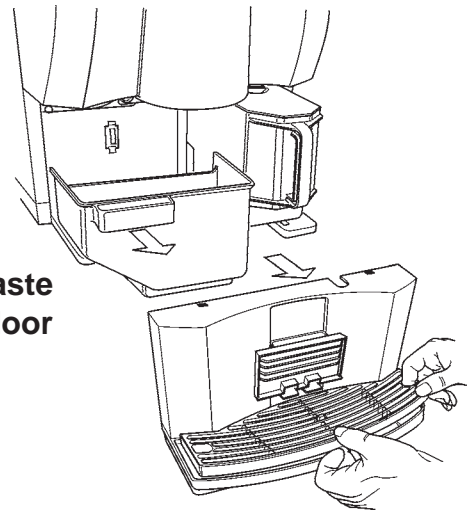
# KORO ESPRESSO

---

## OPERATIONS TO BE CARRIED OUT WITH THE DOOR CLOSED

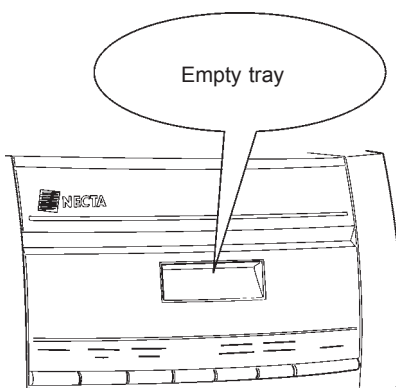
### Emptying the grounds container and the drip tray

**IMPORTANT NOTICE:** Emptying and cleaning the waste containers are operations to be performed with the door open and the machine switched on!



**The machine is equipped with two containers:**

- one for the **grounds**, that can contain up to 20 doses of used coffee
- the other one for **liquid waste**



**“Overflow” indicator for the containers**

**Grounds container:** the machine stops automatically and the display indicates the message: “EMPTY CONTAINER”

**Drip tray:** the display does not indicate any messages and the dispenser continues to function normally, but **the red float indicator located at the centre of the cover grid sticks out**, indicating the need of *emptying* the tray.

In both cases remove the containers, empty them, wash them with normal detergent for dishware and refit them.

The grille can be removed to make cleaning of the drip tray easier.

### **Warning!**

After the operation, always ensure that the containers are positioned correctly: otherwise the machine will not function.



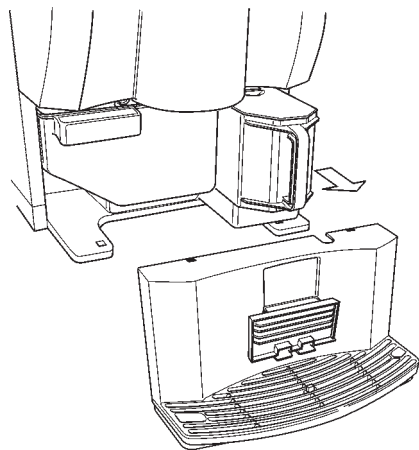
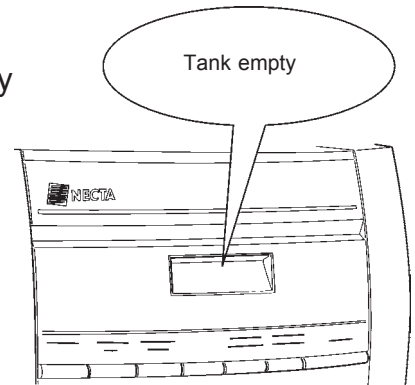
# KORO ESPRESSO

---

## OPERATIONS TO BE CARRIED OUT WITH THE DOOR CLOSED

### Refilling with water

When the water tank is empty, the machine stops automatically and the display indicates the message: "TANK EMPTY".



### *Proceed as follows:*

- Remove the drip tray
- Slide out the tank pulling it outward
- Fill the tank with fresh drinking water, ensuring not to exceed the maximum level indicated on side
- Reposition the tank pushing it completely, forcing
- Reposition the drip tray

### **Warning!**

If the tray is not positioned correctly the machine will not function.

# KORO ESPRESSO

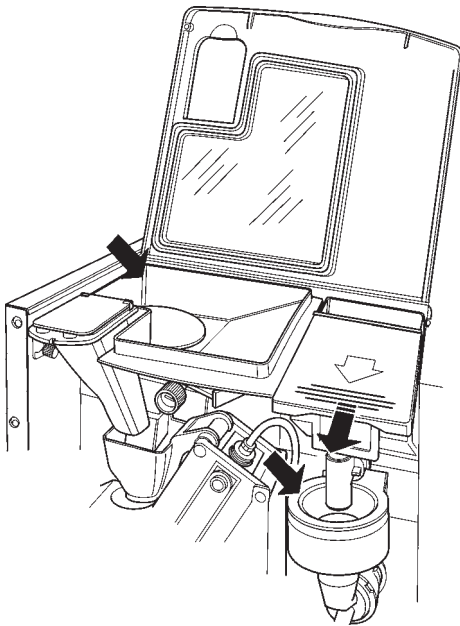
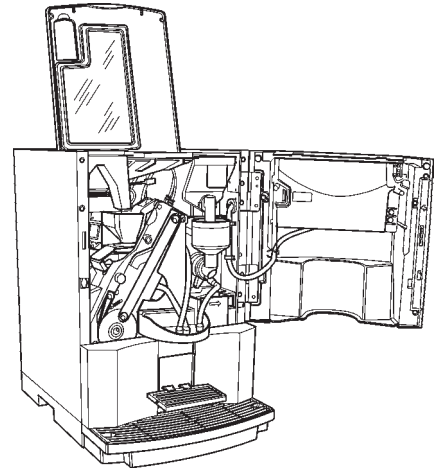
---

## OPERATIONS TO BE CARRIED OUT WITH THE DOOR OPEN

### Refilling with products

#### *To correctly refill with products do as follows:*

Open the door of the machine.  
The machine will switch off automatically to allow the operation in full safety.  
Lift the top panel of the machine.



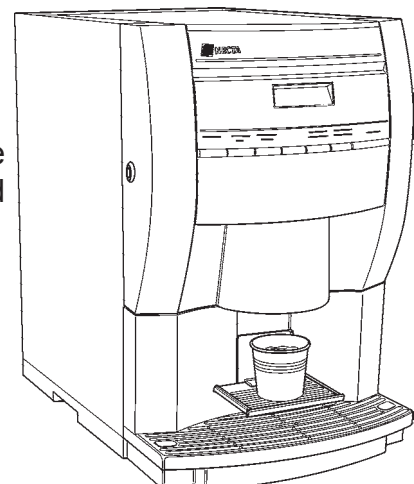
**Instant product:** remove the lid of the container and check the level of the product blend.  
Refill the container ensuring not to press the powder.

Check that there are no product clots in the mixer.

**Coffee:** fill with coffee, without pressing and without exceeding the level of the container.

Clean coffee powder residue from the exposed parts using a brush.

Close the powder containers, top panel and door of the machine and perform the switching on cycle described previously.



# KORO ESPRESSO

## OPERATIONS TO BE CARRIED OUT WITH THE DOOR OPEN

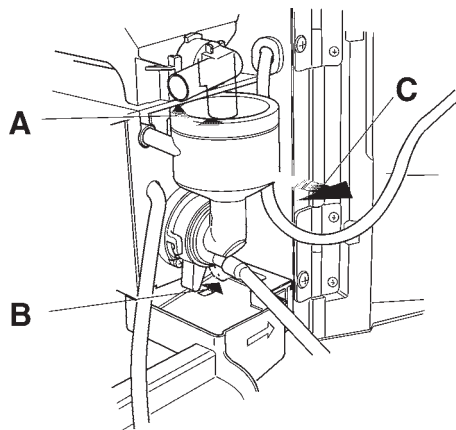
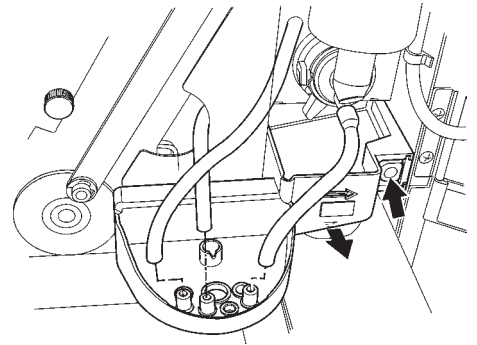
### Periodical cleaning

In order to maintain its functionality and always obtain high quality drinks it is important to clean the machine frequently, proceeding as follows:

open the machine and lift the top panel of the machine. The machine will switch off automatically to allow the operation in full safety.

Disconnect the tubes from the spouts support tray.

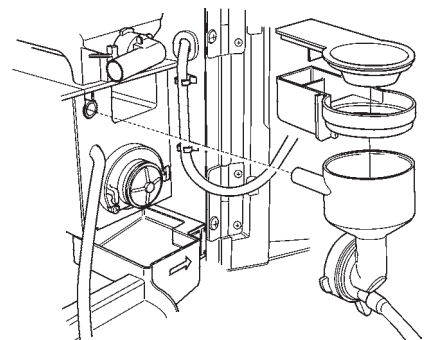
Remove the spouts support tray pressing the release button and pulling the tray outward.



Disassemble the mixer in the following order:

- A) rotate the pipette of the container 90°
- B) rotate the green ring to the right
- C) remove the mixers

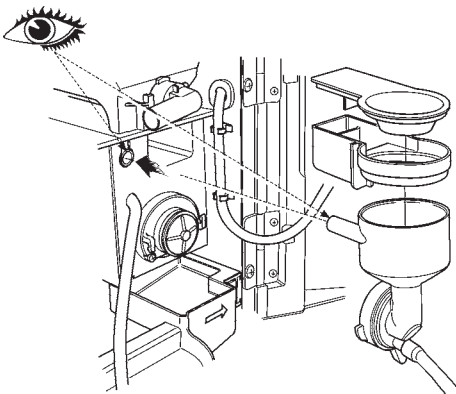
Separate the various mixer components, wash them and dry them.



# KORO ESPRESSO

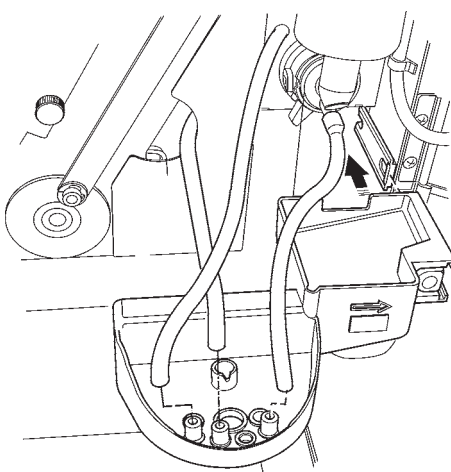
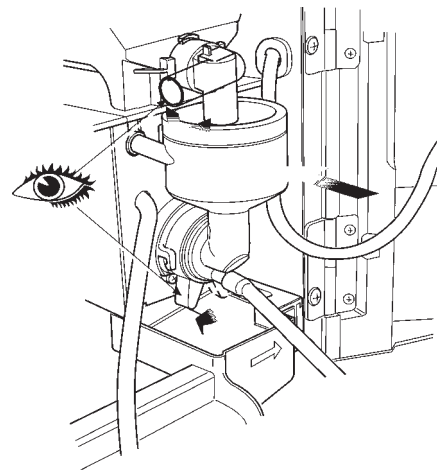
## OPERATIONS TO BE CARRIED OUT WITH THE DOOR OPEN

### For reassembly



Reassemble the parts, inserting the funnel's tube in its place, checking that it fits perfectly.

Tighten the green ring until it clicks.  
Straighten the pipette.



Finish the periodical cleaning operation refitting the spouts support tray: ensure it is inserted correctly in its guide, pushing it toward the bottom until hearing a click sound.

Reconnect the tubes observing the correct sequence.

Then, close the door of the dispenser and switch the machine back on.

The machine, clean and perfectly efficient, is now ready for new dispensing.

# KORO ESPRESSO

---

## CHECKS TO BE PERFORMED BEFORE CALLING ASSISTANCE.

In the event of machine failure or malfunction, switch the machine off without tampering with it. For any repairs contact a Technical Service Centre authorised by the manufacturer and request the use of original spare parts only. Failing to follow this procedure can compromise the safety of the machine.

**In any case, before contacting Assistance it is advisable to carry out, with the necessary caution, some checks.**

### If the machine does not switch on

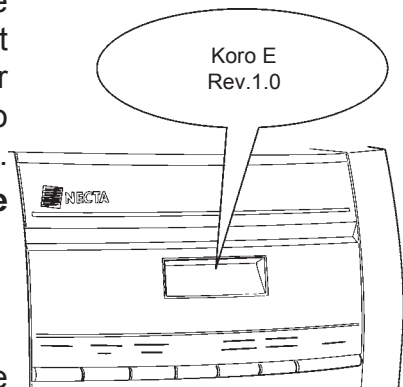
Check that the plug is correctly inserted and that the machine switch and the power supply switch are on. Then, repeat the switch on cycle.

### If the display indicates an error message

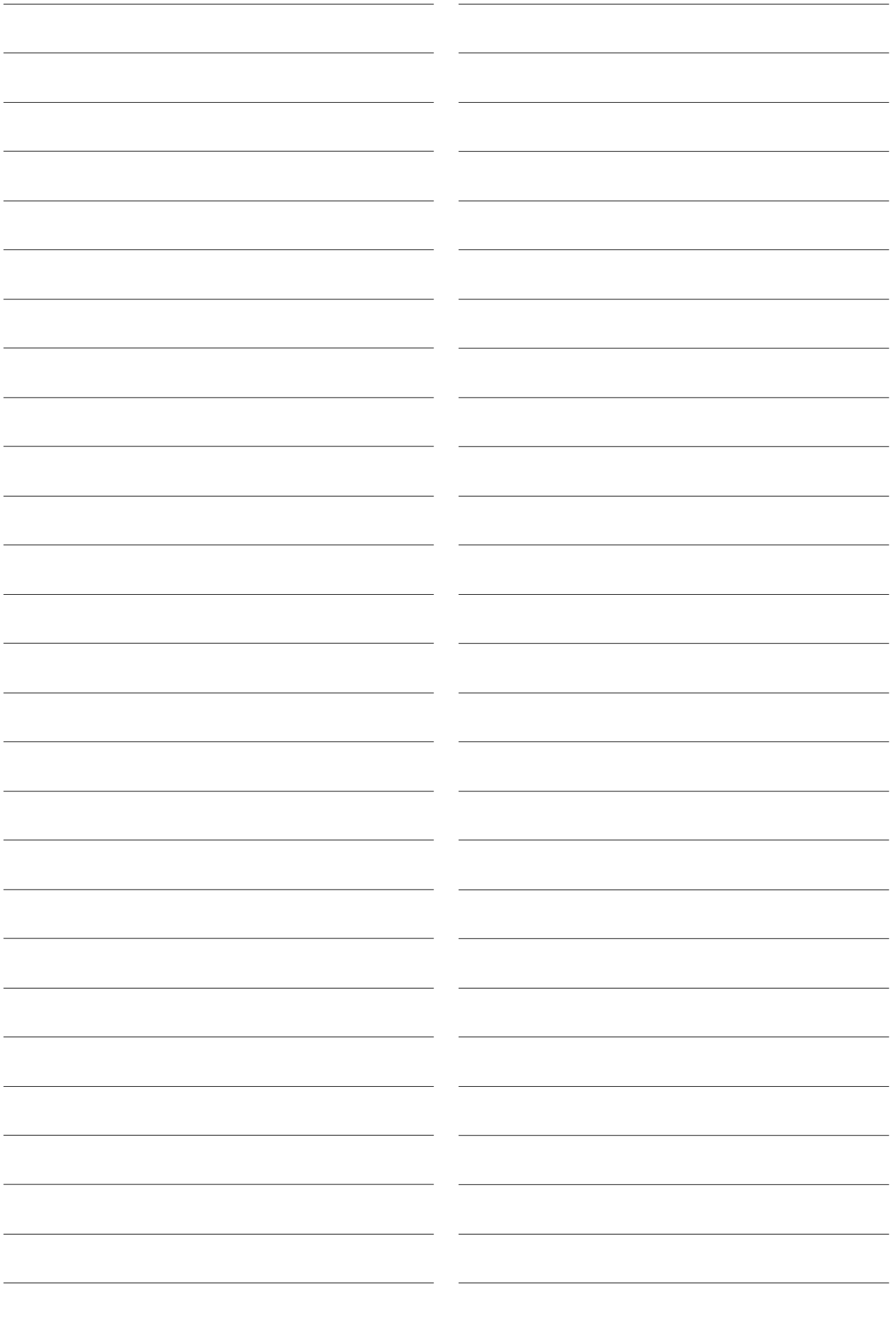
Through the auto-diagnostic system the dispenser indicates to the user the need to perform routine maintenance operations. In the event the display indicates messages like:

- Empty and clean trays
- Fill empty tank
- Reposition tank and trays
- Fill with coffee

it is important to proceed to the requested operations, carefully following the instructions contained in this booklet.



In all other cases, it is advisable to immediately take note of the displayed message: the information could be very useful to the technician who will offer assistance.



The manufacturer reserves the right to modify, without prior notice, the characteristics of the equipment described in this publication; he declines all responsibility for any inaccuracies due to printing and/or typing errors herein contained. The instructions, drawings, tables and information in general contained in this booklet are of a confidential nature and may not be reproduced entirely or in part or be passed on to a third party without the prior written authorisation of the manufacturer who retains its exclusive ownership.

**EDITION UK rev - 2005**

---

