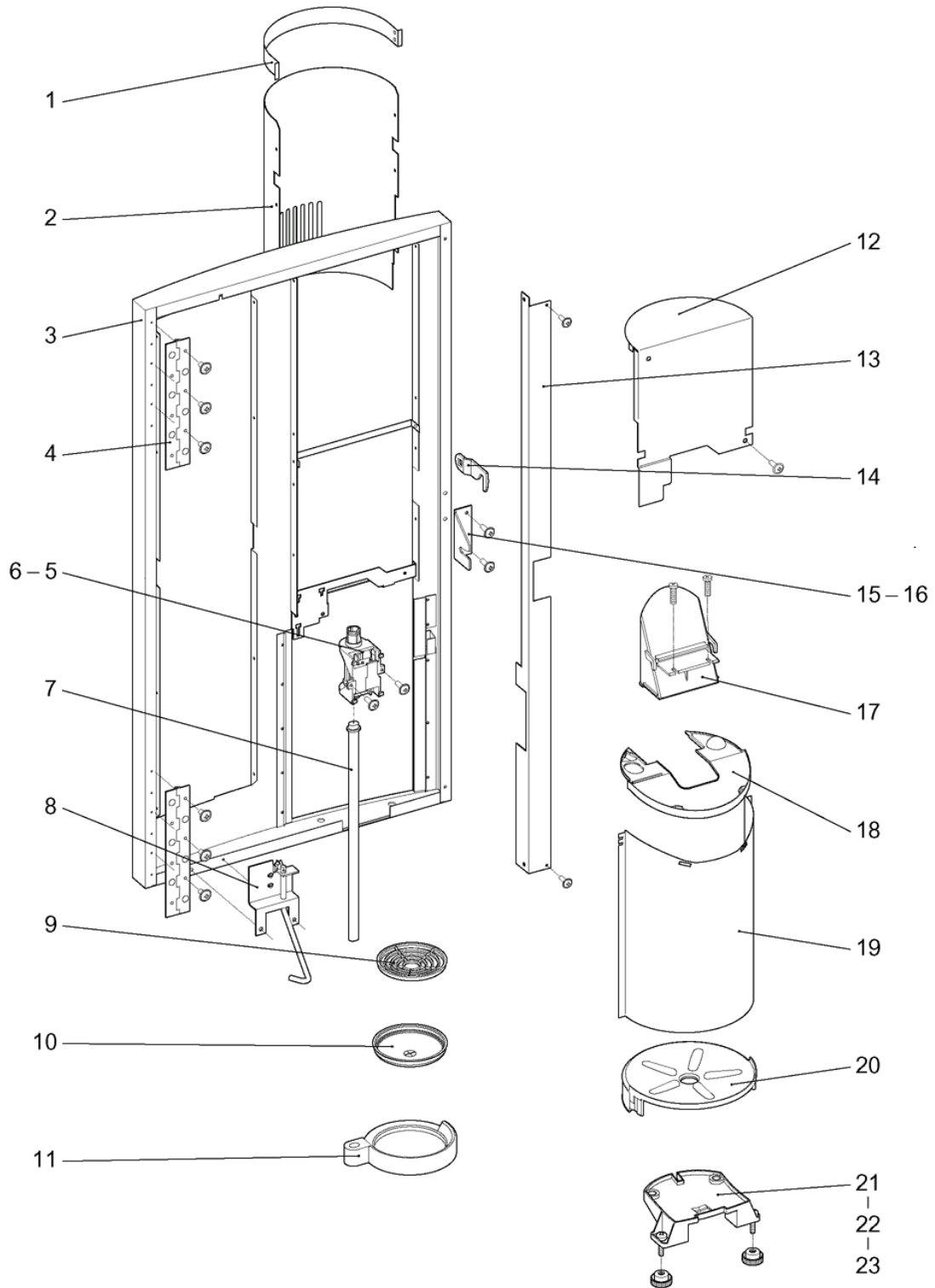
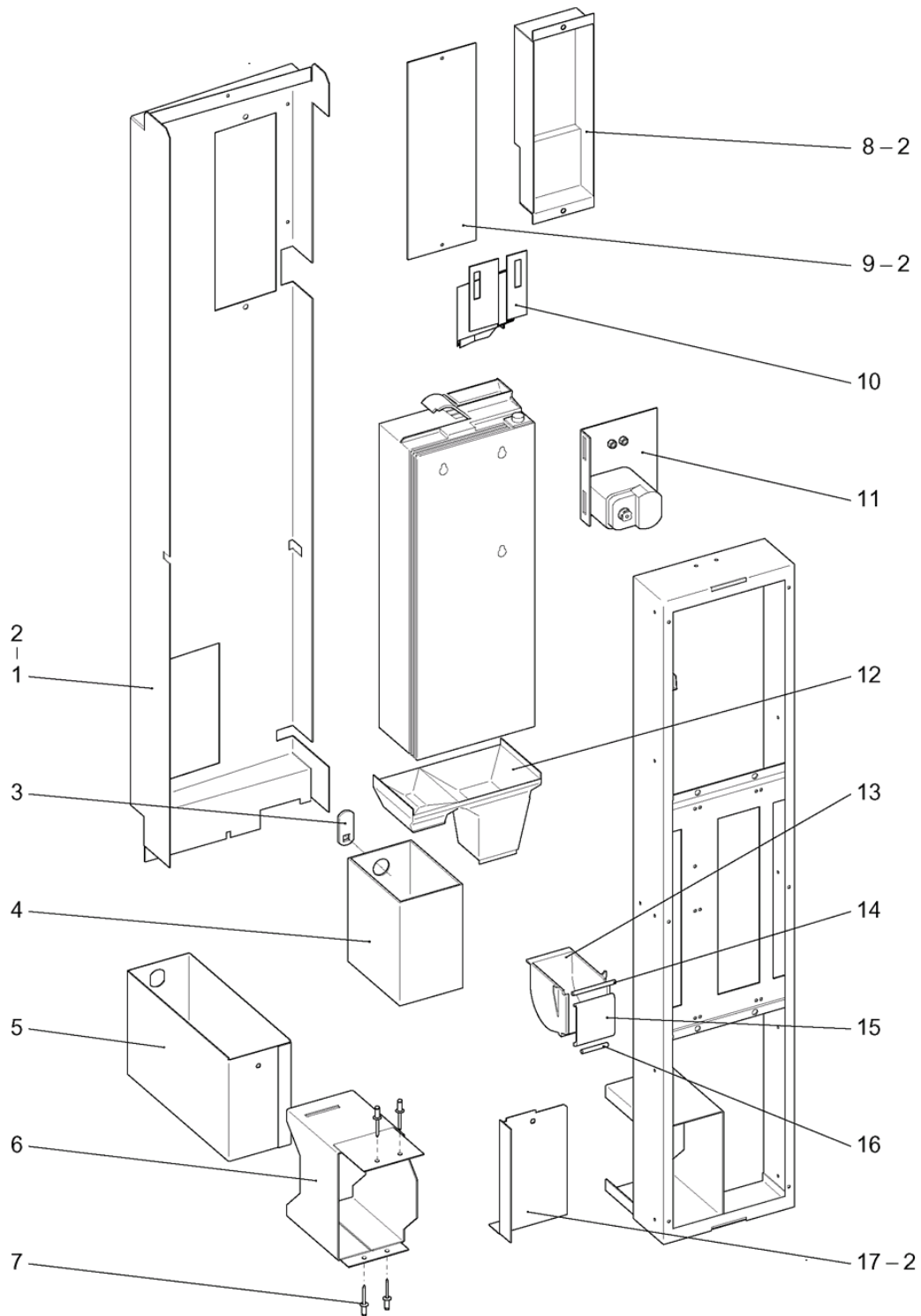


FB 5100

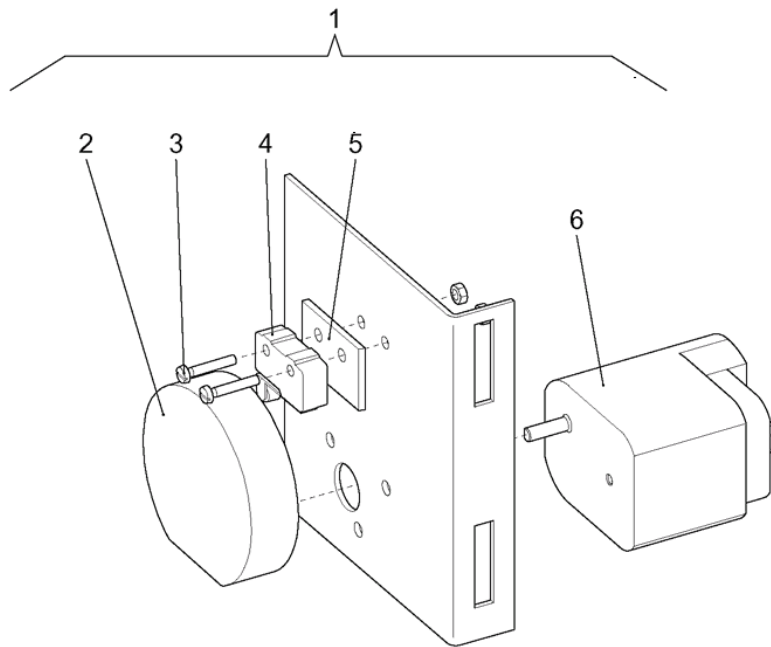




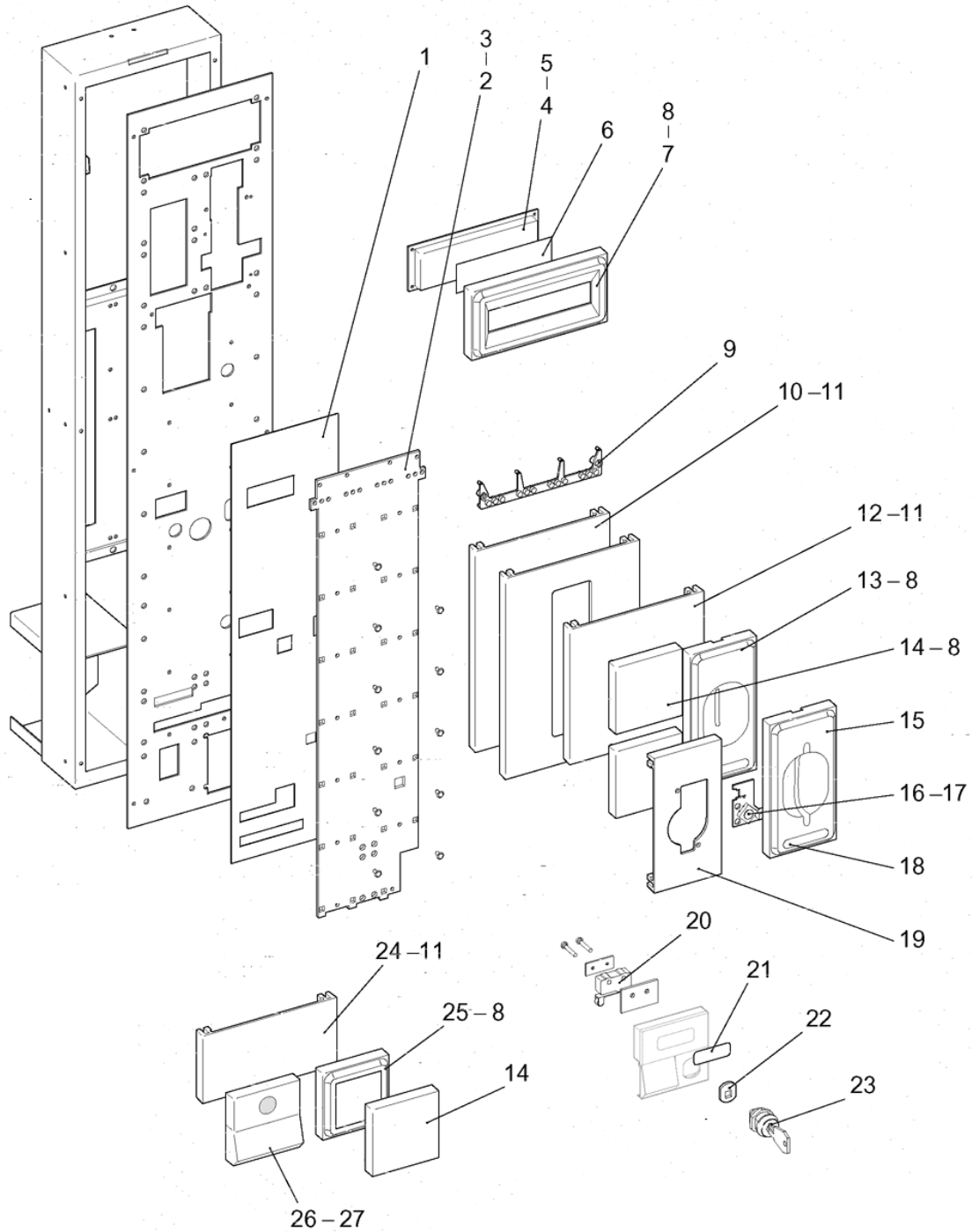
	Code	Description	Notes
1	39577800	OUTER HOUSING, UPPER	
2	39577900	OUTER HOUSING, LOWER	
3	30866880	DOOR, GREY	
4	30726500	HINGE	
5	35097501	PIVOT BRACKET	
6	09020608	SCREW SFPX 1/4 X 6	
7	39274500	ARM FOR CUPCARRIER	
8	42359600	DOORSWITCH, CPL.	
9	39571200	GRID FOR CUP CARRIER	
10	39571400	CUP SHELF HOLDER	
11	39571300	CUP CARRIER	
12	30901800	COVER, DOOR	
13	30867680	COVER F LOCK, GREY	
14	30783600	LOCKING LATCH	
15	30726400	DOOR ELEVATOR	
16	09026710	SCREW RTFX M4X6	
17	35034200	PROTECTION LID F HOSE	
18	39490102	PROTECTION LID OUTLET	
19	30896300	INNER HOUSING	
20	35032200	POT PAD	
21	39571600	BOTTOM FOR POT PAD	
22	09026622	SCREW GFPX M5X12	
23	39577700	FINGER NUT M5	



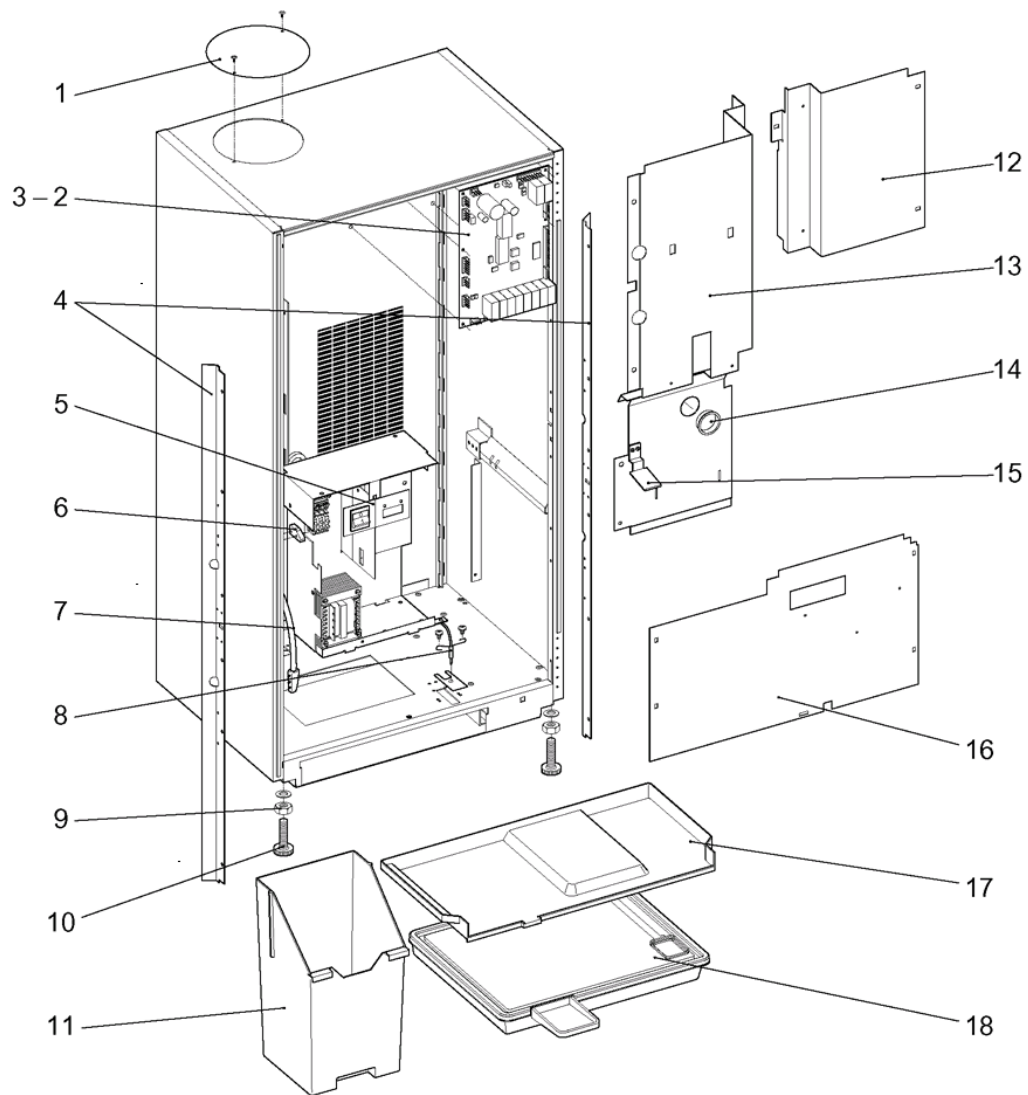
	Code	Description	Notes
1	30699825	COVER PLATE F DOOR, WHITE	
2	09026710	SCREW RTFX M4X6	
3	30461400	LOCKING LATCH F CASH BOX	
4	29640500	CASH BOX	
5	30890800	CASH BOX, LARGE	
6	30891200	SUPPORT F LARGE CASH BOX	
7	09132010	POP RIVET	
8	30720500	CAP FOR CARD READER	
9	30720680	COVER PLATE, GREY	
10	30797200	COIN CHUTE	
11	42359200	COIN-RETURN MECHANISM	
12	39562200	COIN TUBE, PLASTIC	
13	39457000	COIN RETURN CUP	
14	12074700	SHAFT F. FLAP	
15	39457100	FLAP F. COIN RETURN CUP	
16	12074800	COUNTER WEIGHT	
17	30730500	COVER PLATE FOR CASH BOX	



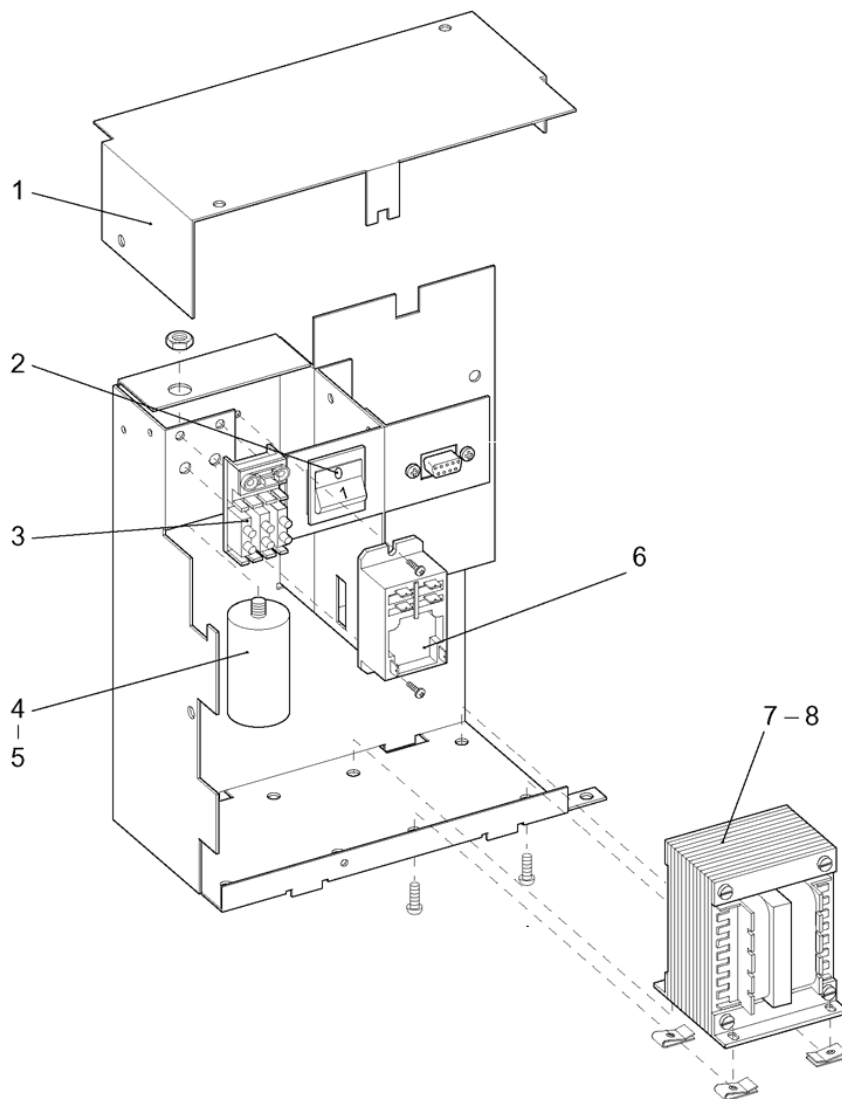
	Code	Description	Notes
1	42359200	COIN-RETURN MECHANISM	
2	39461800	ECCENTRIC	
3	09009409	CHEESE HEAD SCREW M2X12	
4	41308800	MICRO SWITCH, SMALL	
5	14262700	INSULATION F. SWITCH	
6	41512800	MOTOR	



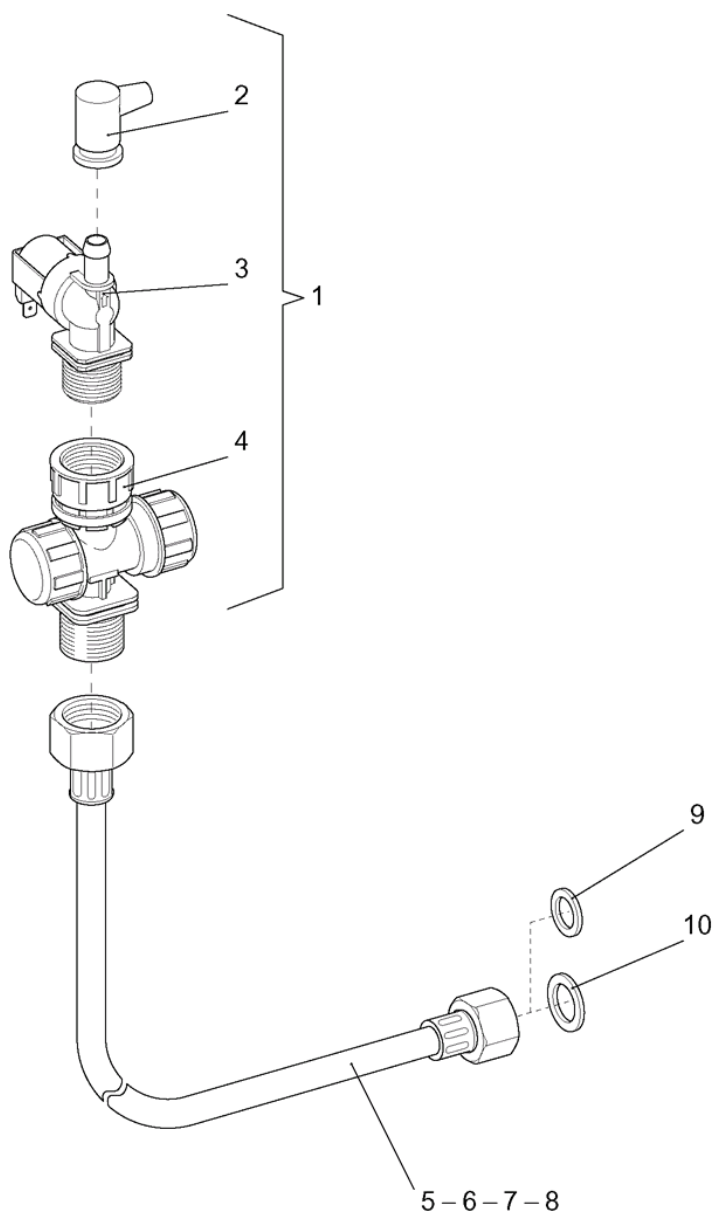
	Code	Description	Notes
1	39556400	INSULATION FOIL FOR SPC	
2	47103501	SPC CIRCUIT BOARD	
3	48840300	FIXTURE FOR CIRCUIT BOARD	
4	48560500	LCD DISPLAY 2X16 CHARACTERS	
5	09026711	SCREW RTFX M4X8	
6	35133500	GLASS FOR LCD DISPLAY	
7	39570500	LCD MODULE FRAME	
8	09139009	RIVET	
9	39550800	LIGHT GUIDE F PRE-SELECTION	
10	39525317	BLINDING MODULE 191,7 MM	
11	09026710	SCREW RTFX M4X6	
12	39525310	BLINDING MODULE, 127,7 MM	
13	39536100	COIN INSERT MODULE	
14	39555900	BLINDING MODULE, 1 MODULE	
15	39536200	CARD INSERT MODULE	
16	47101001	CARD AND COIN RETURN BUTTON	
17	39463400	CLIP F. PRINT BOARD	
18	39536300	RETURN BUTTON CARD AND COIN	
19	39657200	COVER PROFILE, ZIP-READER	
20	41308800	MICRO SWITCH, SMALL	
21	39536701	GLASS FOR DISPLAY	
22	30586700	LOCKING LATCH F. MULTI BREW	
23	39627001	W01B LOCK FOR DOOR	
24	39525309	BLINDING MODULE 63,7 MM	
25	39450400	MODULE FRAME 1/4	
26	39556900	DESIGN BUTTON	
27	77397800	DESIGN BUTTON W LOGO	



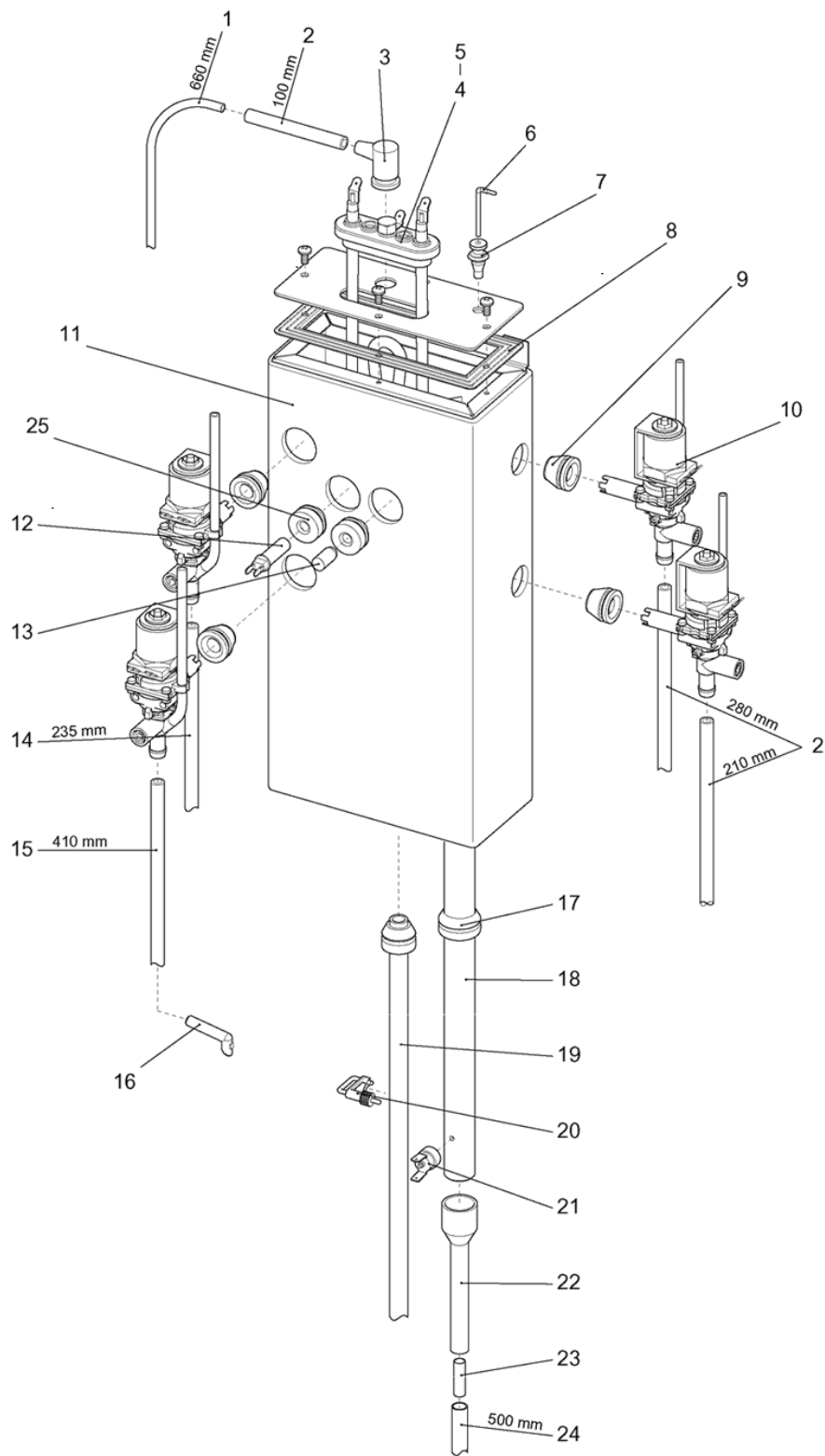
	Code	Description	Notes
1	35056280	COVER, TOP PLATE	
2	47107602	VMC CIRCUIT BOARD	
3	41005802	FIXTURE F CIRCUIT BOARD	
4	30697080	COVER PLATE FOR CABINET SIDE	
5	42377800	E-BOX ASSEMBLY	
6	39650800	DOOR ELEVATOR	
7	42378400	SENSOR FOR WASTEBUCKET	
8	42310400	DRIPTRAY WATER SENSOR	
9	09083240	NUT 8MG	
10	31032100	LEVELLER M8X30	
11	39563800	WASTE BUCKET	
12	30874700	COVER F CIRCUIT BOARD	
13	30878700	COVER FOR WATER TANK	
14	39581710	PLUG D=30,0	
15	30817900	GUIDE F. WASTE BUCKET	
16	30878800	LOWER COVER	
17	39560000	WASTE TRAY	
18	30436902	DRIP TRAY	



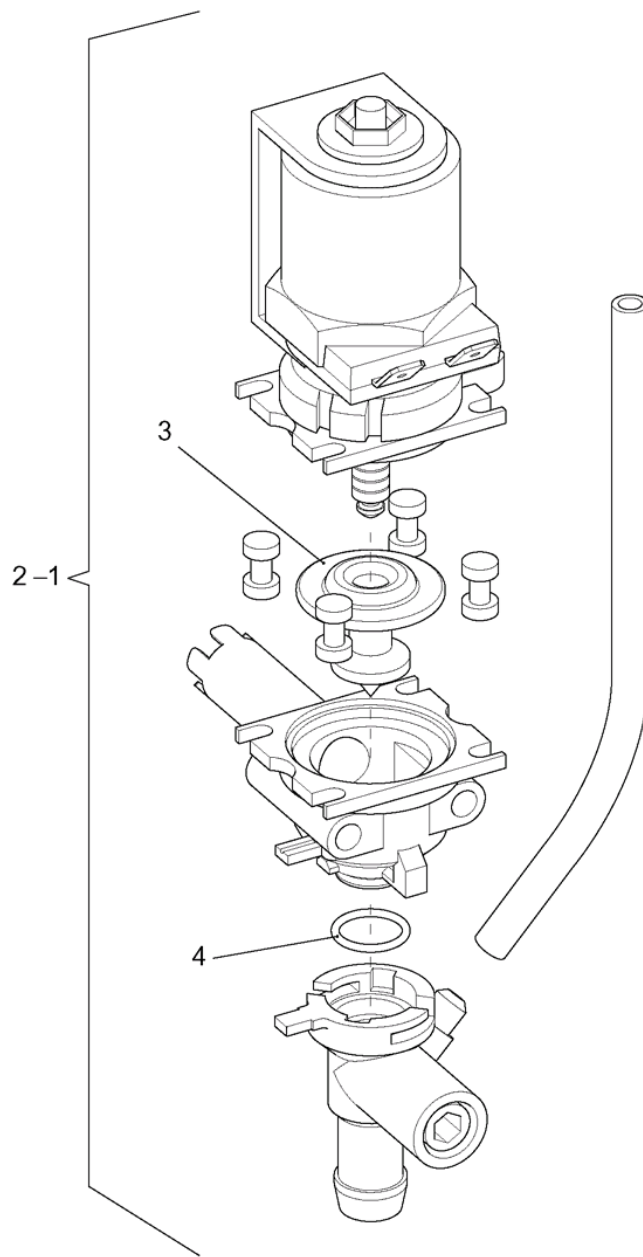
	Code	Description	Notes
1	30875000	COVER F E-BOX	
2	41303603	TILTING SWITCH	
3	41006900	CABLE RELIEF	
4	41815700	NOISE CAPACITOR	
5	41815702	NUT	
6	41414000	RELAY	
7	41610000	TRANSFORMER	
8	39224700	SPEED CLIPS	



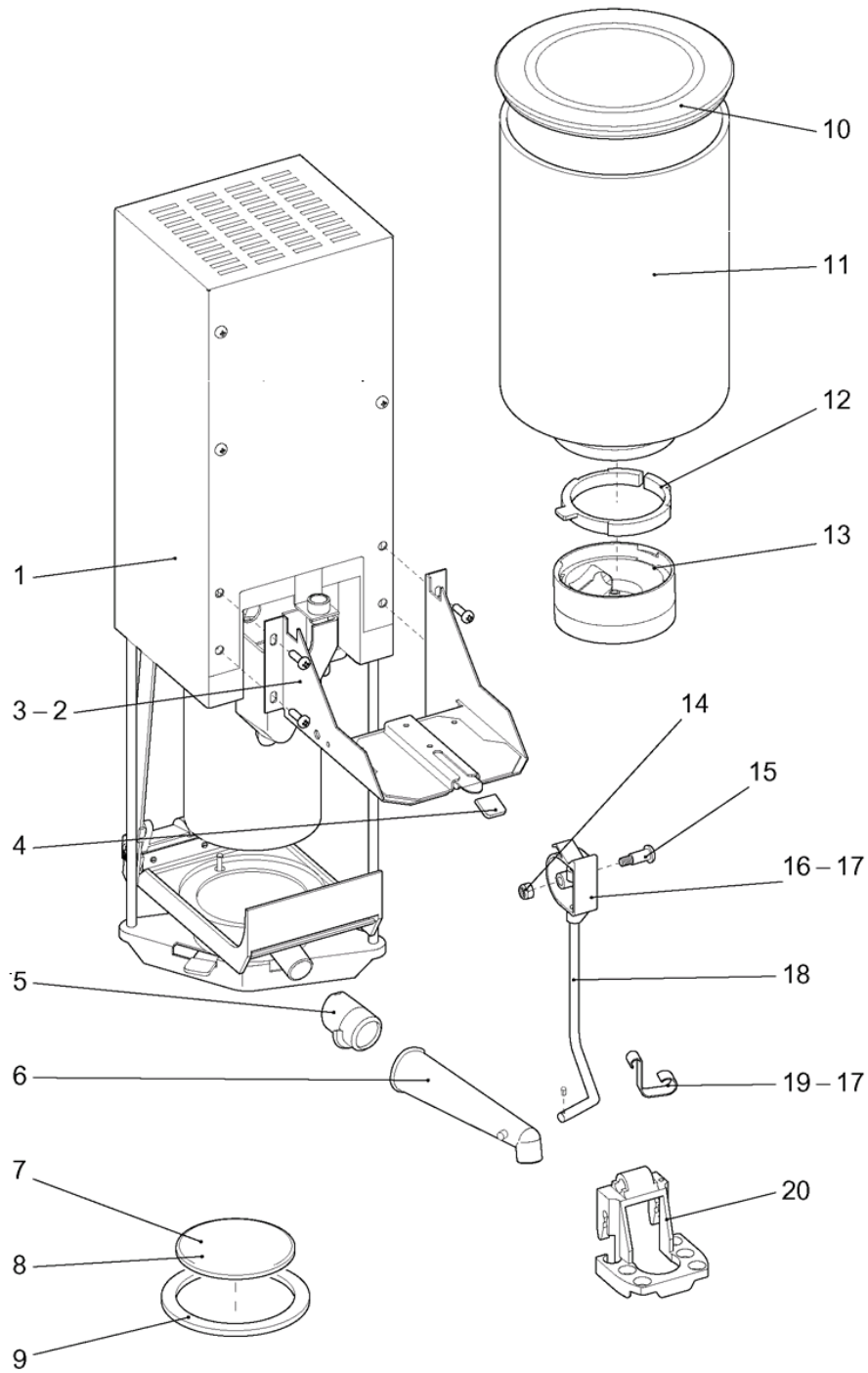
	Code	Description	Notes
1	30765600	INLET VALVE, CPL.	
2	35003400	ELBOW FLANGE	
3	41533500	INLET VALVE 24V DC	
4	39269000	WATER FILTER	
5	35092000	CONNECTING HOSE WIRSBO 3/4"	
6	39649100	"CONNECTING HOSE 3/8" DECS"	
7	39643501	PEX-HOSE WO INSUL. SELECTA	
8	39655700	CONNECTING HOSE WIRSBO 1/2"	
9	39415704	RUBBER GASKET Ø18-Ø12,5-2	
10	39415702	RUBBER GASKET Ø24-Ø15-2	



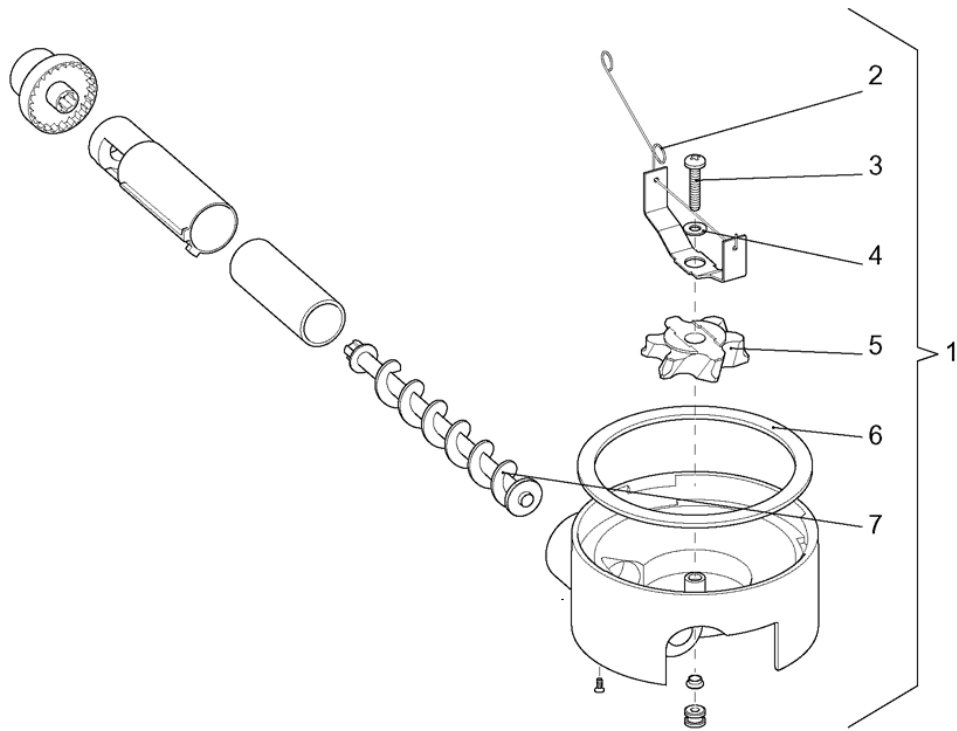
	Code	Description	Notes
1	39474808	NYLON HOSE, BLACK Ø6/Ø4	
2	39470503	HOSE Ø9,5/Ø6	
3	35003400	ELBOW FLANGE	
4	41609700	HEATING ELEMENT (2000W)	
5	41609800	HEATING ELEMENT (2700W)	
6	29776915	ELECTRODE, 40 MM	
7	30742401	HOLDER FOR ELECTRODE	
8	39572800	GASKET FOR WATER TANK LID	
9	39583700	GASKET FOR VALVE	
10	41532400	24VDC VALVE, MÜLLER	
11	39581800	INSULATION F WATER TANK 5100	
12	41834100	THERMAL FEELER	
13	39711800	PLUG FOR SILICONE GASKET	
14	39470504	HOSE Ø13/Ø9	
15	39495700	SILICONE HOSE GREY	
16	39700100	OUTLET TUBE W/PIN LONG	
17	39549900	BOTTOM GASKET F OVERFL PIPE	
18	39552800	OVERFLOW PIPE	
19	39549801	DRAIN HOSE L=750 MM	
20	39200215	HOSE CLAMP	
21	41407402	SAFETY THERMOSTAT 80°C	
22	39510000	RUBBER SPOUT	
23	30853600	CONNECTING PIECE	
24	39470516	HOSE Ø13/Ø9	
25	39550200	SILICONE GASKET	



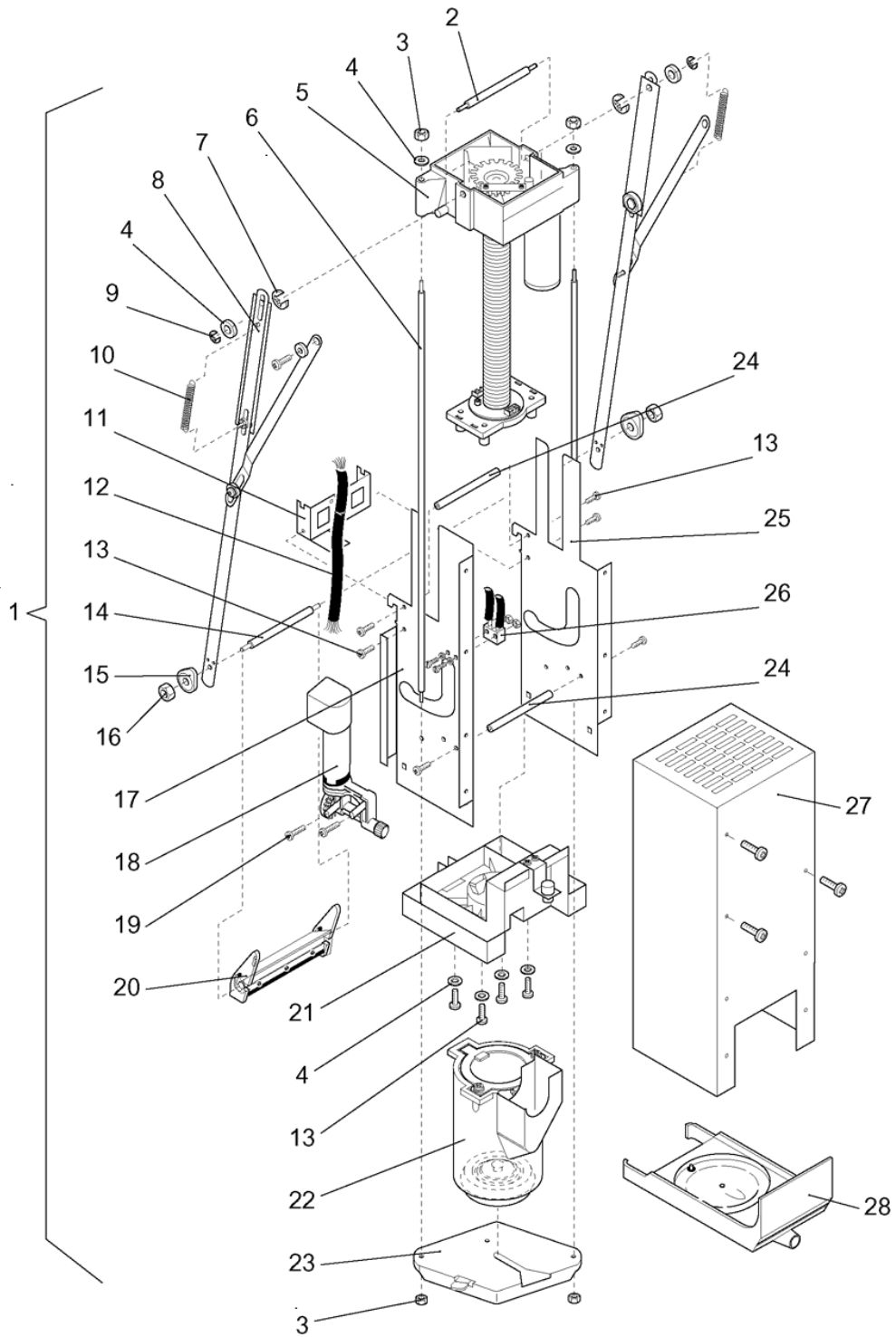
	Code	Description	Notes
1	41532400	24VDC VALVE, MÜLLER	
2	41532500	230VAC VALVE, MÜLLER	
3	41532408	SEALING FOR MÜLLER VALVE	
4	41532404	O-RING FOR MÜLLER VALVE	



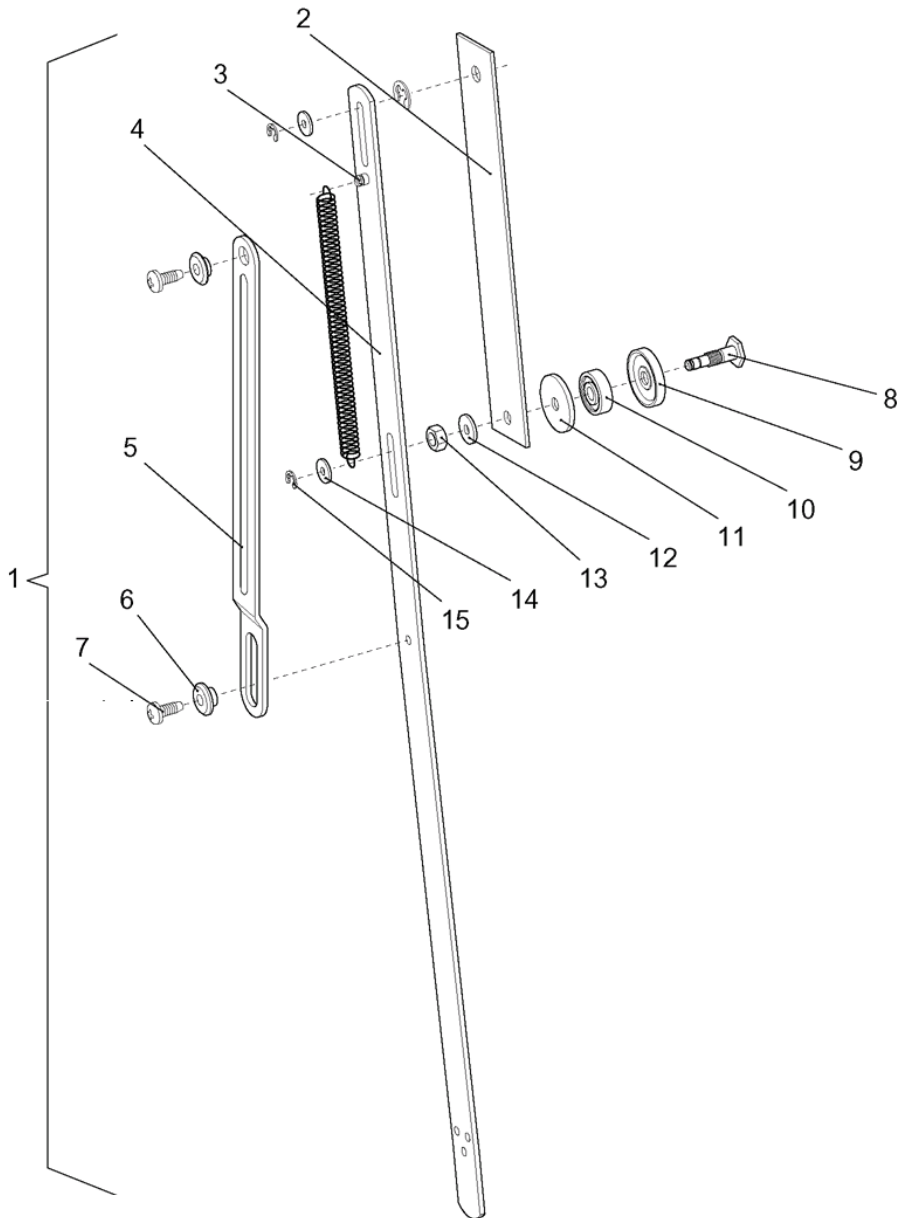
	Code	Description	Notes
1	30433102	BREWER INCL. FILTER & GASKET	
2	35092100	BRACKET FOR FB CANISTER	
3	09026612	SCREW GFPX M4X10	
4	35021400	GREEN PVC CAP	
5	39521200	GASKET FOR OUTLET	
6	39520500	DELIVERY SPOUT	
7	29672700	FILTER F. TEA, CPL.	
8	29604500	FILTER F. COFFEE, CPL.	
9	39415900	GASKET	
10	35033900	LID F. FB CANISTER	
11	39566400	CANISTER, PC	
12	35066500	ADJUSTING RING	
13	35094200	DOSING SYSTEM CPL.	
14	09181304	CHECK NUT M4	
15	35019200	COLLAR SCREW M4 X 10	
16	35019001	HINGE F OUTLET ARM	
17	A-0777	SLOTTED PIN 2,5 X 12	
18	35018801	OUTLET ARM	
19	30698800	BRACE FOR OUTLET HOSES	
20	39700300	HOLDER FOR OUTLET FB	



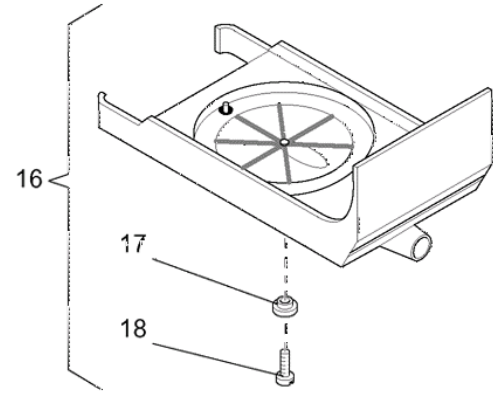
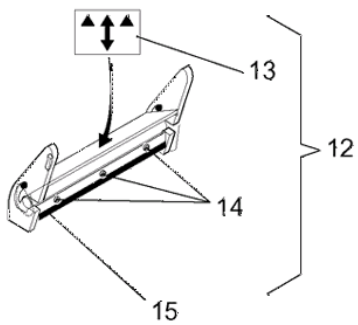
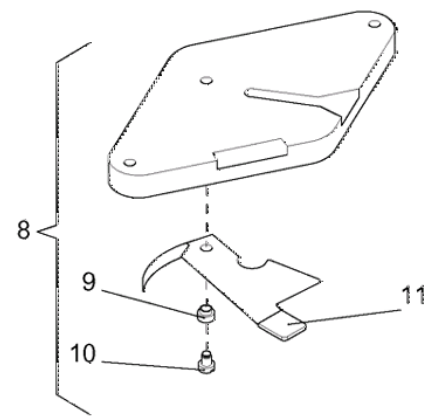
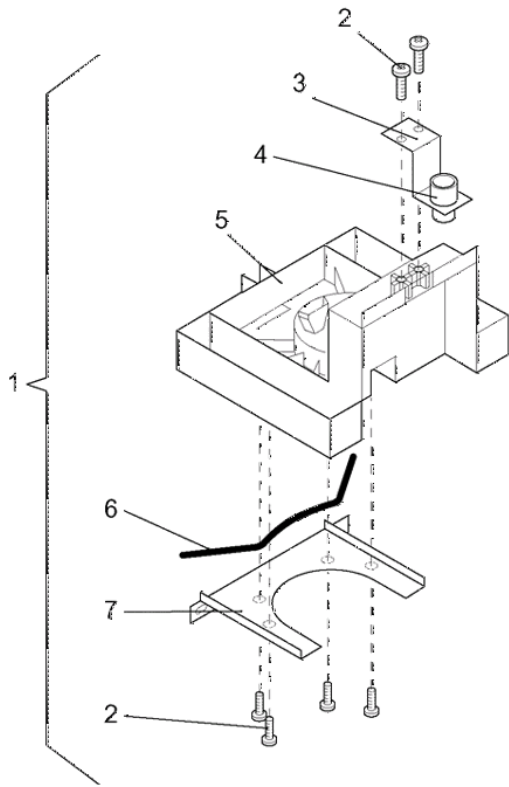
	Code	Description	Notes
1	35094200	DOSING SYSTEM CPL.	
2	35074801	STIRRING WIRE	
3	A-0695	SCREW M4X20	
4	A-0633	WASHER	
5	39517700	STIRRING WHEEL	
6	35018500	GASKET	
7	39517900	AUGER	



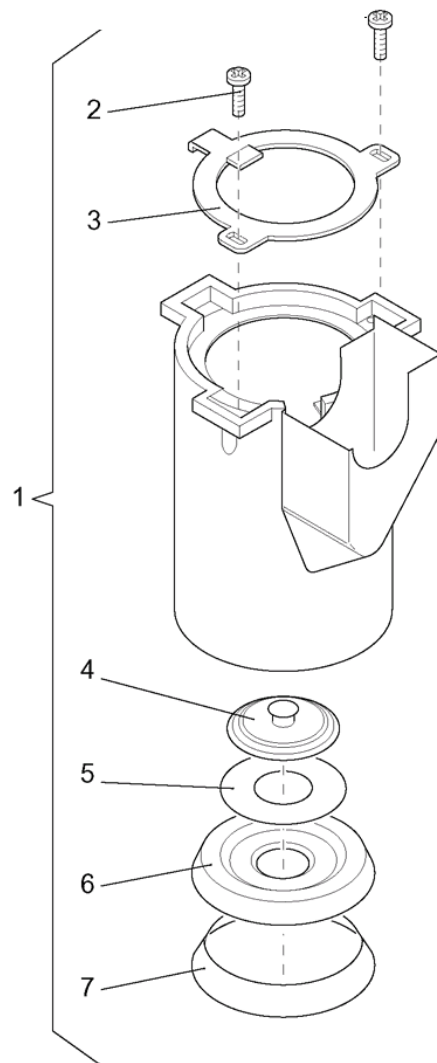
	Code	Description	Notes
1	30433102	BREWER INCL. FILTER & GASKET	
2	39247600	SHAFT F. BEARING HOUSING	
3	09181304	CHECK NUT M4	
4	09183105	WASHER 4.3	
5	39615502	ACTUATOR, CPL.	
6	39247900	TIE ROD F. SLIDING PLATE	
7	09124115	RETAINING RING RS 5	
8	35024001	SCRAPER ARM, CPL.	
9	09124105	RETAINING RING RS 3.2	
10	39248000	SPRING F. SCRAPER ARM	
11	30444501	CONNECTING BRACKET	
12	42308400	HARNESS IN BREWER	
13	09187710	STAINLESS SCREW M4X8	
14	39249600	SHAFT F. SCRAPER	
15	39521000	SCRAPER GUIDE	
16	09181303	CHECK NUT M3	
17	35156500	SIDE PLATE,LEFT	
18	41522600	INGREDIENT MOTOR	
19	A-0359	SCREW M4X10	
20	35023601	SCRAPER, CPL.	
21	35023700	BASE FOR BREWER CPL.	
22	35023901	BREWER CYLINDER CPL.	
23	35023501	SUPPORT,ASS.	
24	30433401	DISTANCE PIECE	
25	35156400	SIDE PLATE,RIGHT	
26	35033100	MICRO SWITCH	
27	30434301	HOUSING FOR BREWER, ASS.	
28	39565400	FILTERPLATE, CPL.	



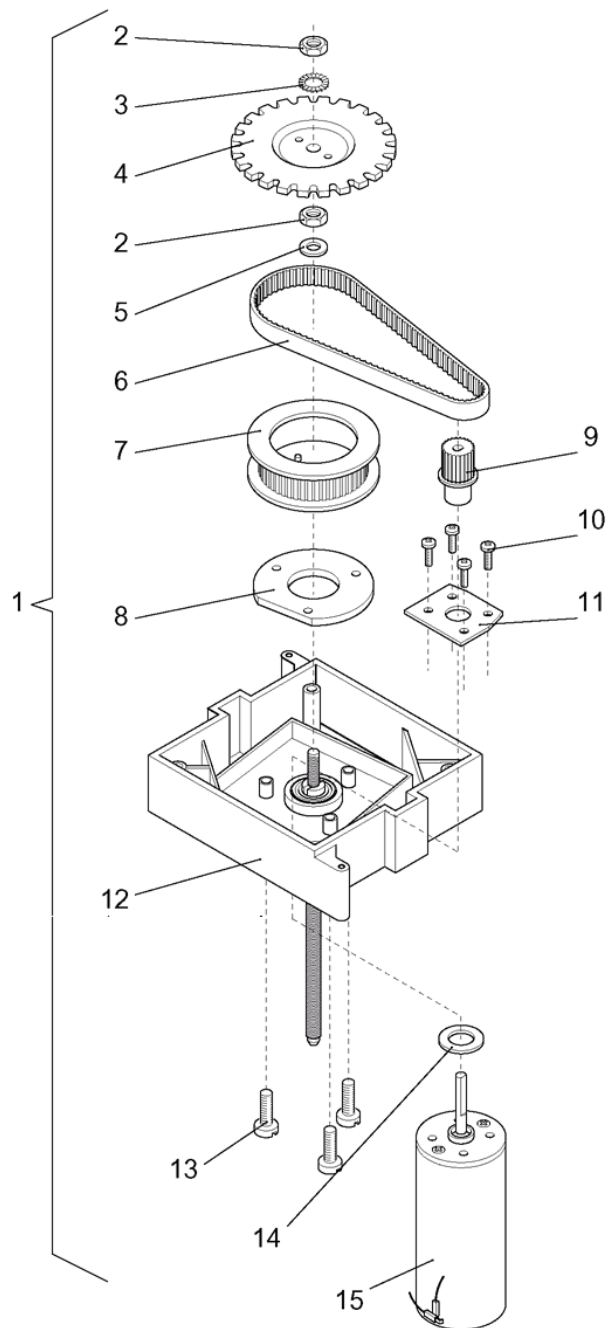
	Code	Description	Notes
1	35024001	SCRAPER ARM, CPL.	
2	30433701	INNER SCRAPER ARM	
3	27001702	THREADED PIN	
4	30433600	SCRAPER ARM	
5	30433800	LEVER ARM	
6	00005018	SLEEVE BUSHING	
7	09026612	SCREW GFPX M4X10	
8	39247700	SHAFT F. BEARING	
9	35054500	GUIDING WASHER	
10	39204303	BALL BEARING	
11	39518900	GUIDING WASHER	
12	A-0704	SPRING WASHER DIN137	
13	A-0763	HEXAGON NUT B M5,MS	
14	09183105	WASHER 4.3	
15	09124105	RETAINING RING RS 3.2	



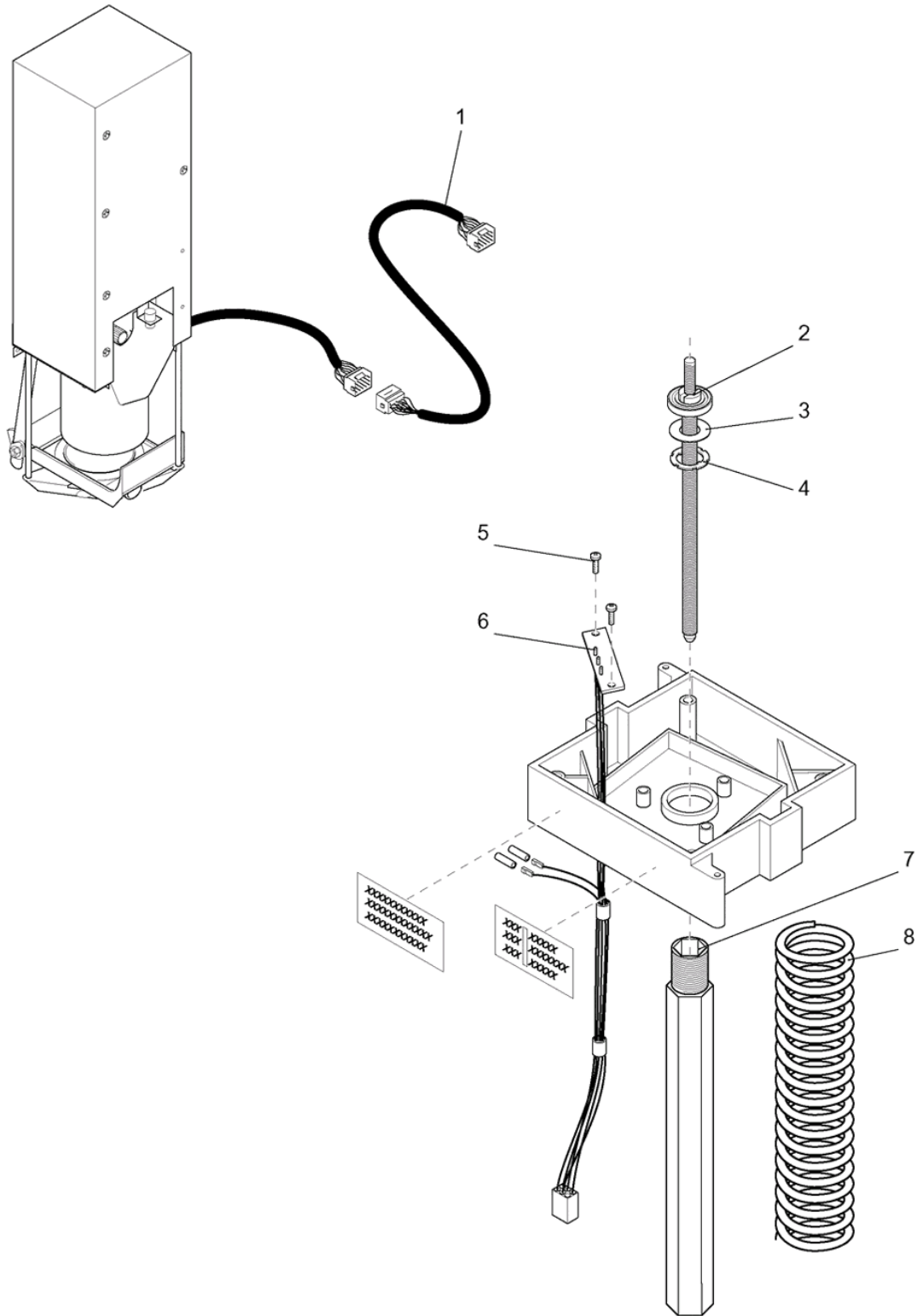
	Code	Description	Notes
1	35023700	BASE FOR BREWER CPL.	
2	36012800	PT SCREW KB35X8	
3	30448100	BRACKET	
4	39249900	GUIDE F. WATER INLET	
5	39518800	BASE FOR BREWER	
6	39250400	LEAF SPRING	
7	30433300	SUPPORT F BREWER CYLINDER	
8	35023501	SUPPORT,ASS.	
9	39249700	COLLAR BUSHING F. LOCK	
10	09171610	SCREW GFPI M4X6	
11	35021400	GREEN PVC CAP	
12	35023601	SCRAPER, CPL.	
13	35199500	LABEL F. SCRAPER	
14	09009404	SCREW CYL. H. M2X5	
15	39519300	SCRAPER RUBBER	
16	39565400	FILTERPLATE, CPL.	
17	39249800	COLLAR BUSHING F STRAINER	
18	09170512	SCREW RX-PT	



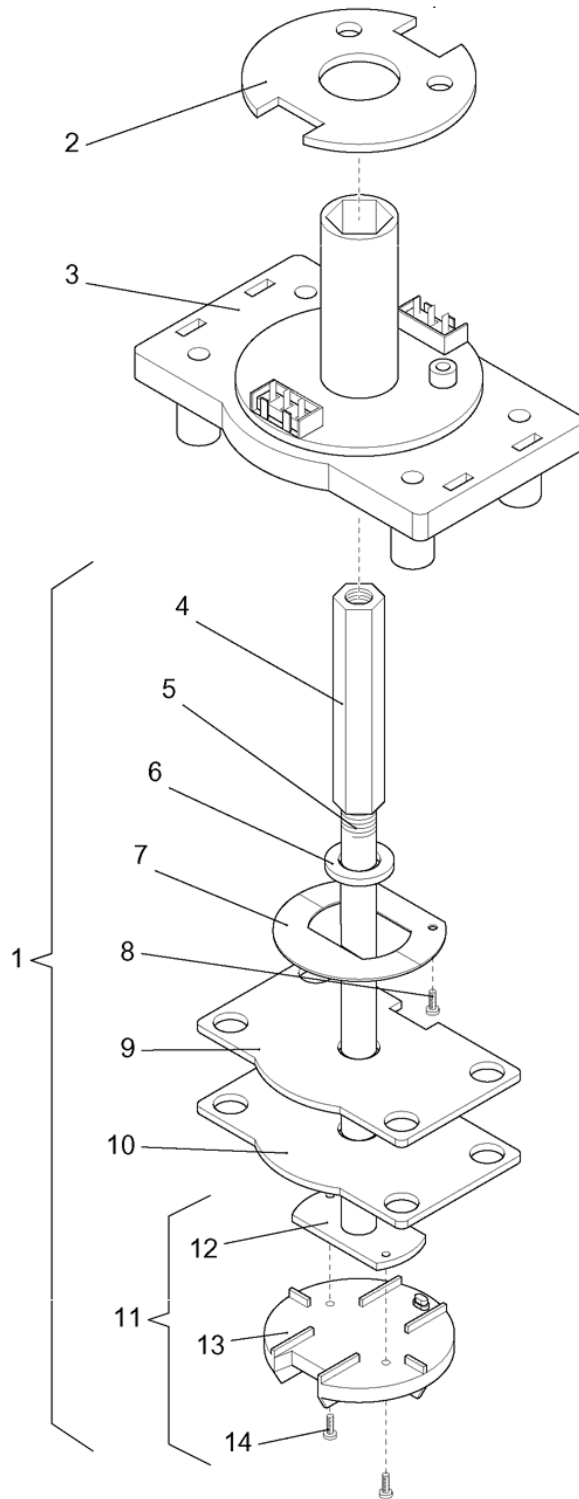
	Code	Description	Notes
1	35023901	BREWER CYLINDER CPL.	
2	36006300	EJOT PT SCREW 35X12	
3	30762300	RETAINING RING	
4	39563600	VALVE FOR BREWER PLUNGER	
5	29572902	GASKET F VALVE Ø49	
6	35203900	BREWER PLUNGER PREMOUNTED	
7	29572901	GASKET Ø84	



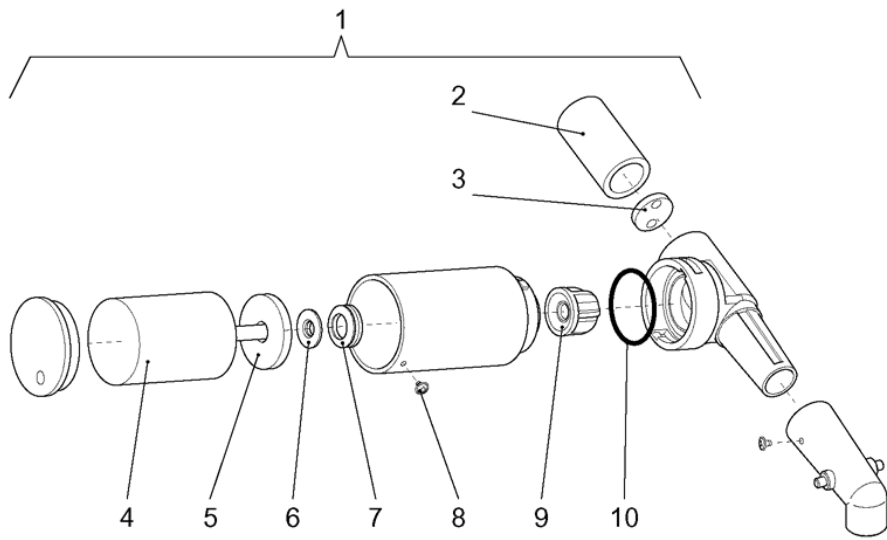
	Code	Description	Notes
1	39615502	ACTUATOR, CPL.	
2	09983305	6KT NUT M5	
3	09122015	TOOTHED WASHER 5.3	
4	39630700	TACHO GENERATOR DISC	
5	09116010	WASHER 10X5.3X0.8	
6	39617500	TOOTHED BELT	
7	39617600	TOOTHED BELT WHEEL Z=72. MOUNT	
8	39616000	BEARING COVER	
9	39617400	TOOTHED BELT WHEEL Z=18	
10	09009396	SCREW M4X16	
11	35182900	MOUTING PLATE	
12	35208400	BEARING HOUSING F ACTUATOR	
13	35217400	SCREW M4X10	
14	39631200	ADJUSTMENT RING	
15	41522900	MOTOR	



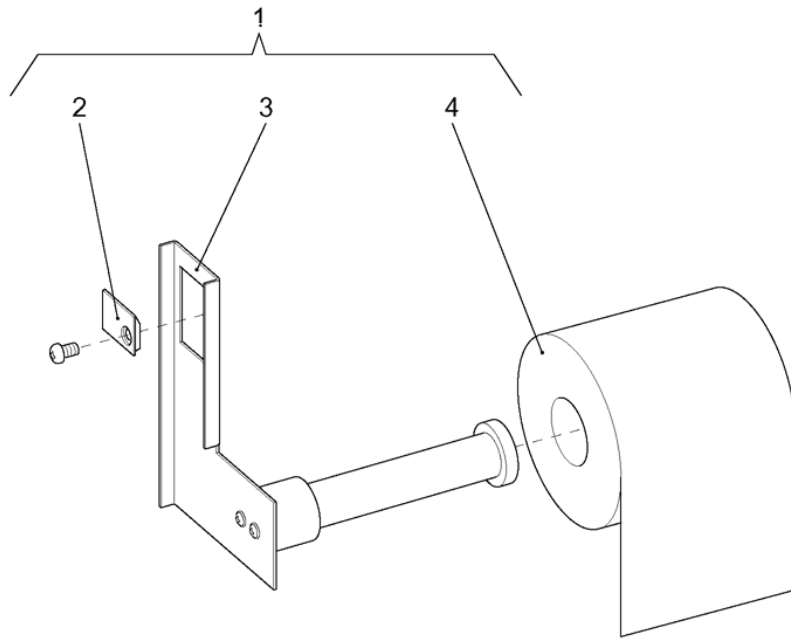
	Code	Description	Notes
1	35133000	ADAPTER	
2	35208500	SPINDLE INCL. BEARING	
3	35184000	FITTING WASHER 20X28X0,2	
4	39616200	LOCKING RING	
5	09029510	SCREW RTPX 6-19X10	
6	42309000	HARNESS F. CIRCUIT BOARD	
7	39246200	OUTER TUBE ACTUATOR	
8	39616700	LOCKING SPRING	



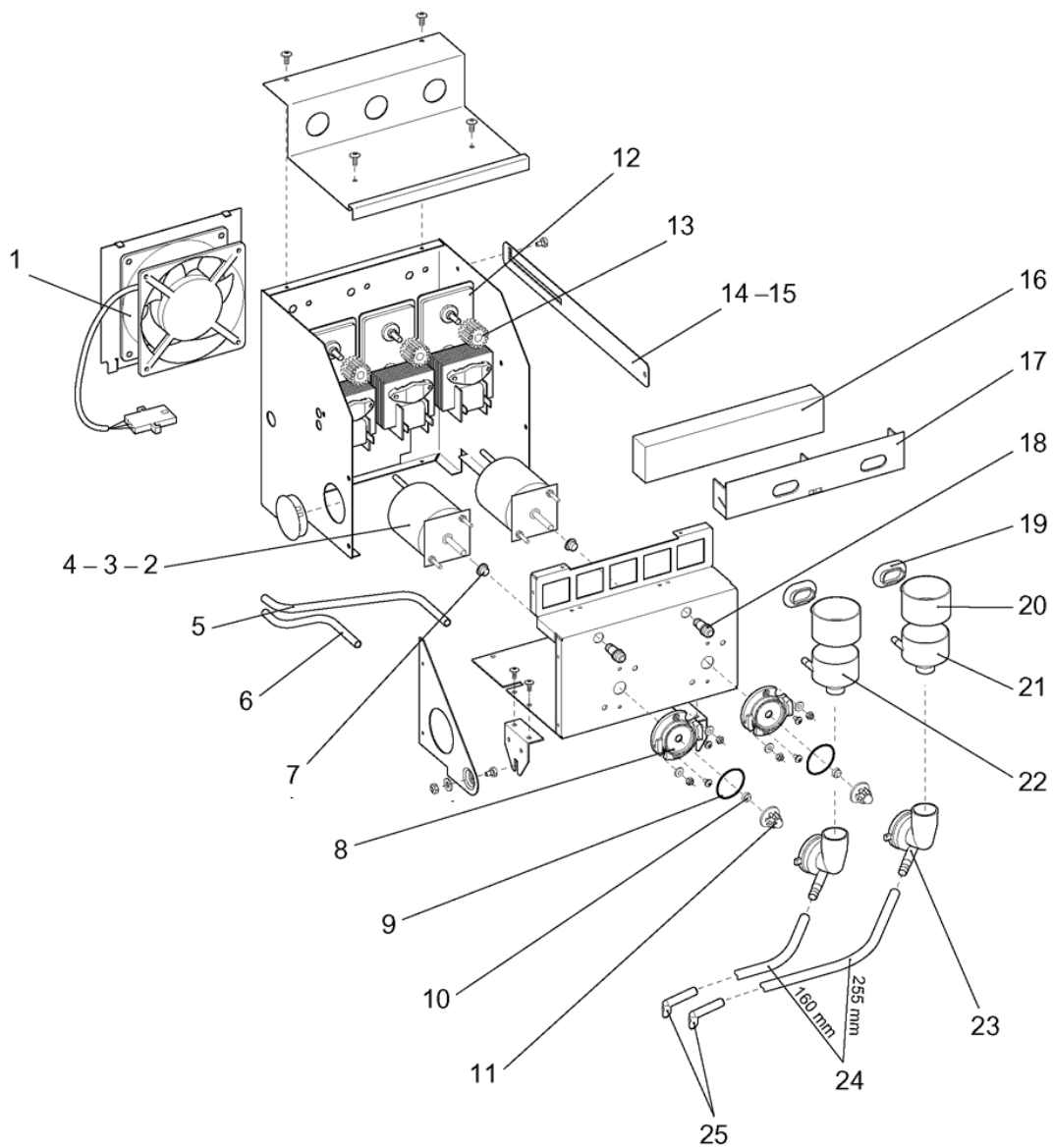
	Code	Description	Notes
1	35208300	INNER TUBE AND PLUNGE HOLDER	
2	39632000	RELIEVING PLATE	
3	35208200	BOTTOM CONS. W MICRO SWITCH	
4	39648902	GUIDING NUT	
5	39270801	INNER TUBE	
6	39616900	BUSH INCL. FLANGE	
7	39617000	ACTIVATION SPRING	
8	09029510	SCREW RTPX 6-19X10	
9	39617900	RETAINING METAL SHEET	
10	39617100	SEALING	
11	35132300	PLUNGE HOLDER,ASS.	
12	39563900	BUSHING FOR PLUNGE	
13	39617300	SUPPORT FOR PLUNGE	
14	09187710	STAINLESS SCREW M4X8	



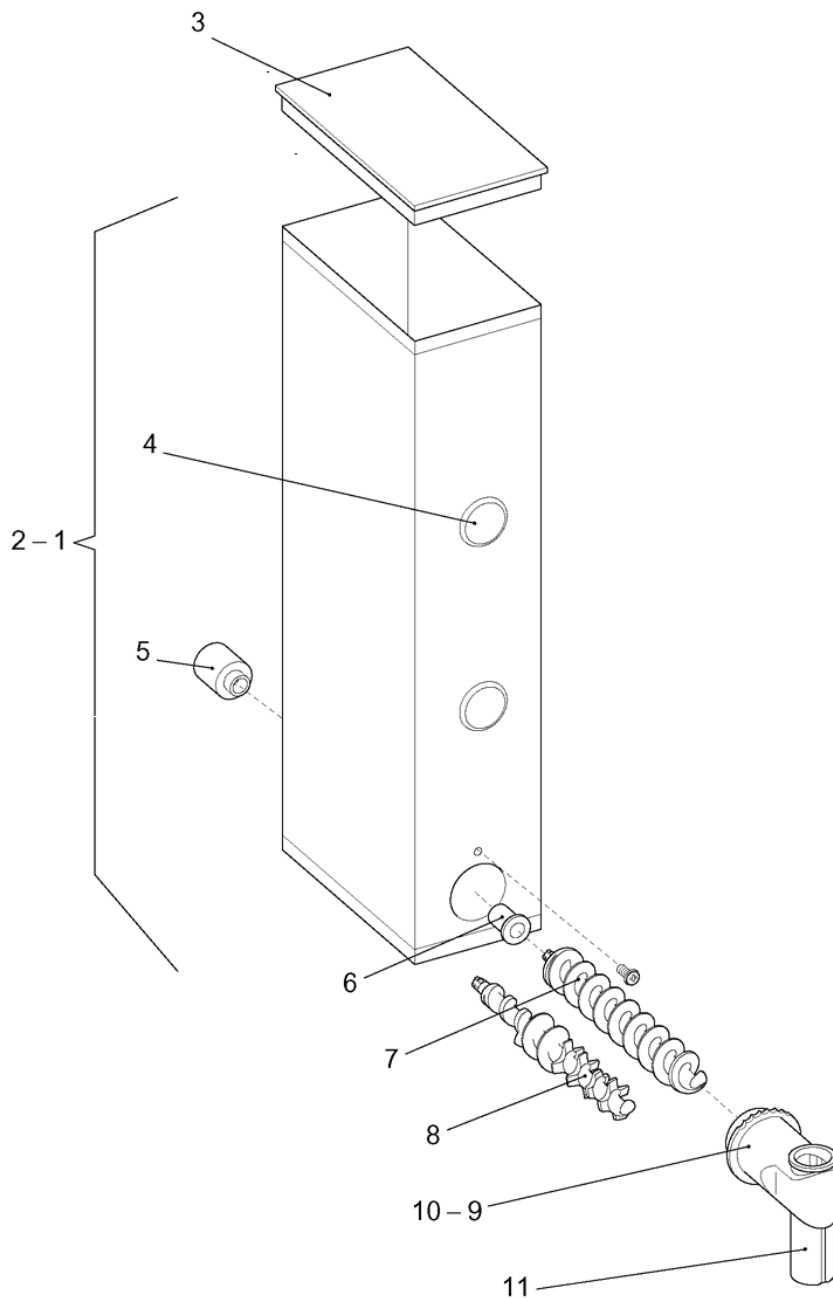
	Code	Description	Notes
1	42369600	COFFEE WHIPPER ASS.	
2	39470515	SILICONE HOSE Ø16/Ø22	
3	39562000	WASHER FOR WHIPPER HOUSING	
4	41530400	24VDC COFFEE WHIPPER	
5	39704800	GASKET FOR COFFEE WHIPPER	
6	39599000	SLINGER RING F WHIPPER MOTOR	
7	39599400	SEALING FOR MIXING MOTOR	
8	09029805	SCREW PLASTITE KB25X5	
9	39562400	WHIPPER BLADE	
10	39400632	O-RING	



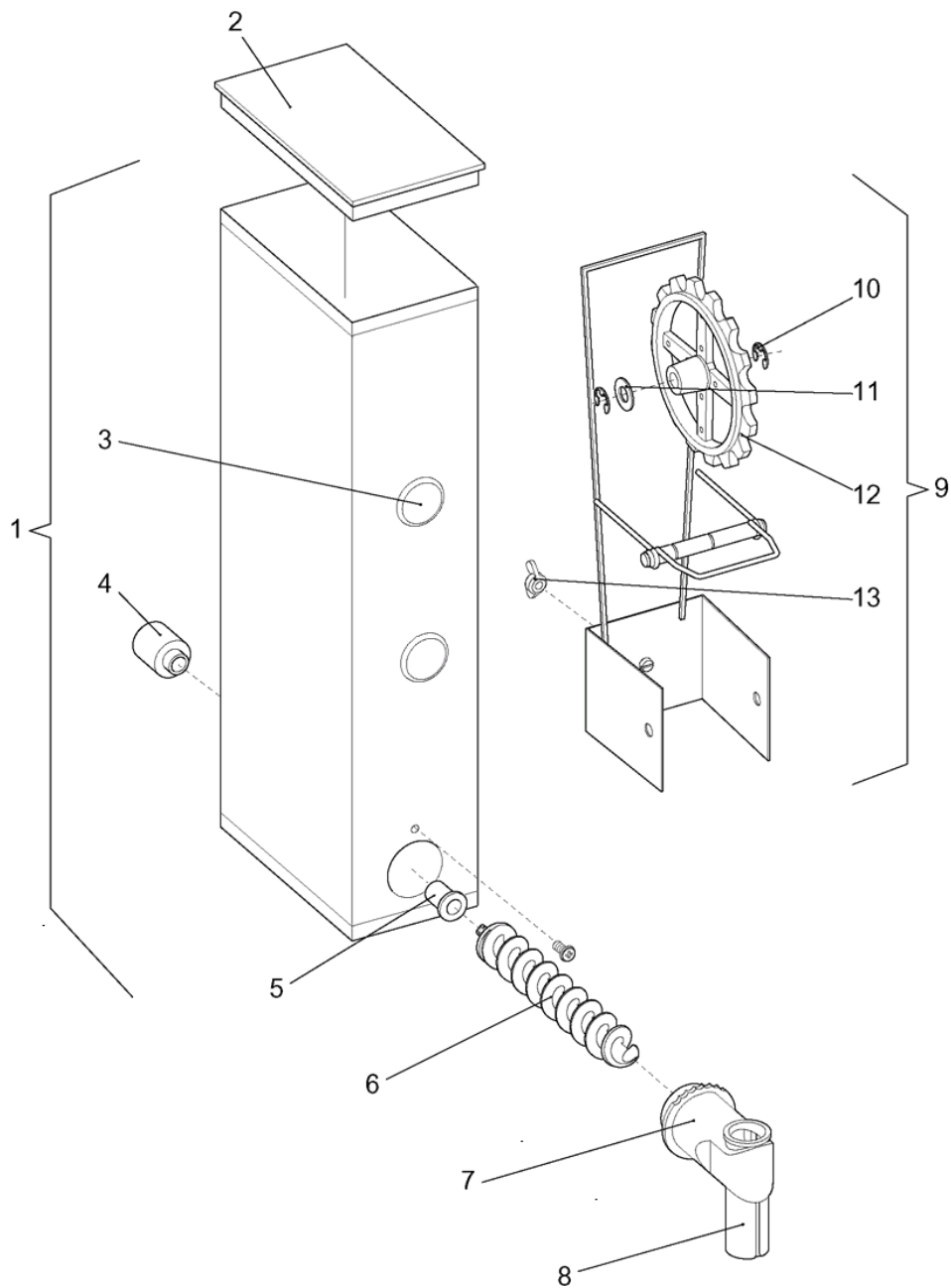
	Code	Description	Notes
1	65301700	PAPERROLL HOLDER	
2	30448200	SLIDE F. PAPER ROLL	
3	35024300	PAPER ROLL HOLDER	
4	39251400	FILTERPAPER	



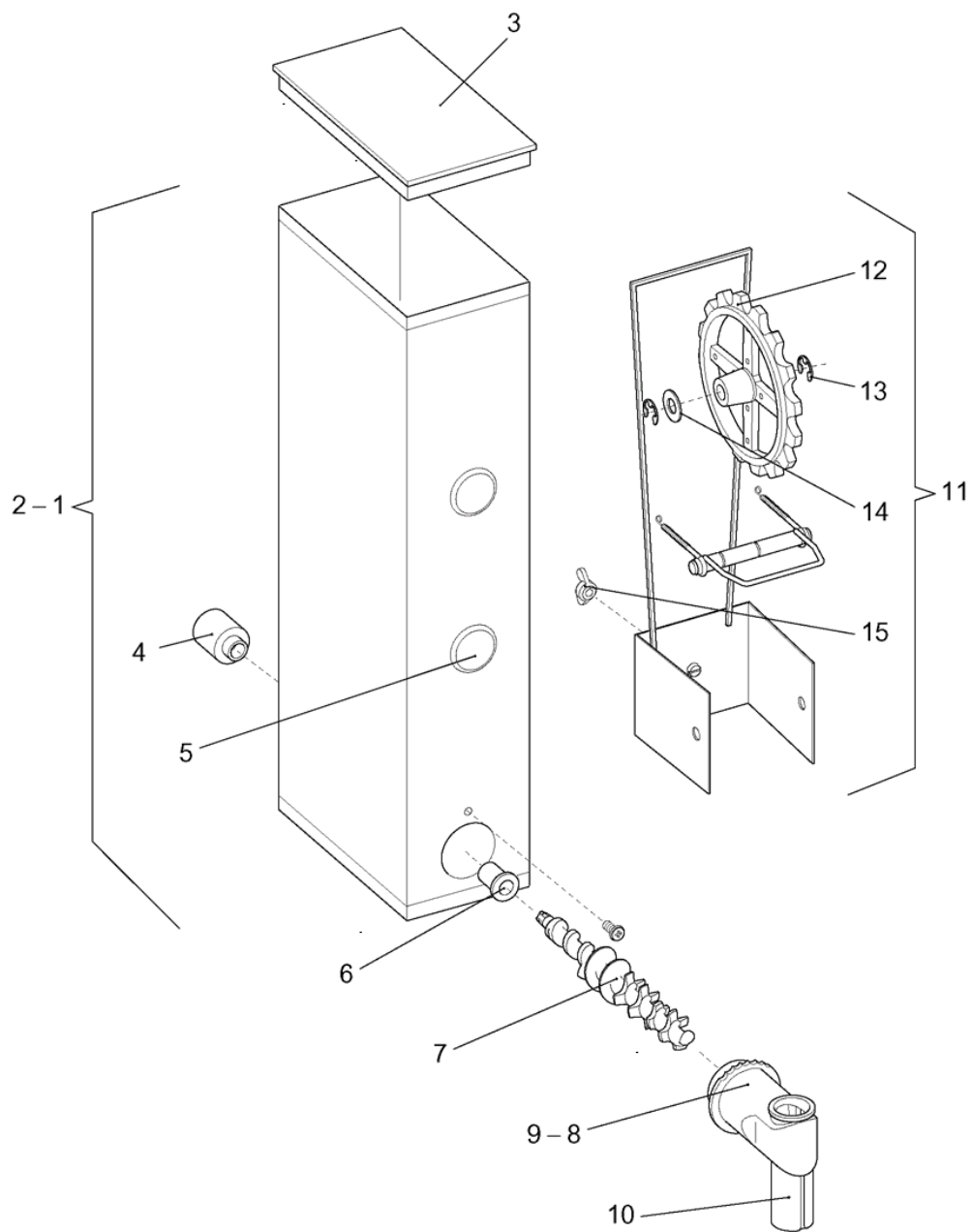
	Code	Description	Notes
1	75198600	FAN, MOUNTED	
2	41521600	WHIPPER MOTOR	
3	09084010	NUT M4	
4	09122010	TOOTHED WASHER	
5	30693500	RINSE PIPE, LONG	
6	30880100	RINSE PIPE, SHORT	
7	29223000	BUSHING	
8	39400302	BASE F WH. HOUSE W HOLE	
9	39400634	O-RING	
10	39400401	V-RING	
11	39442000	WHIPPER BLADE	
12	41529200	GEAR MOTOR	
13	39418900	PINION	
14	30875400	LOCK FOR INGREDIENT SHELF	
15	00001018	COLLAR SCREW M4 X 6	
16	39478803	FILTER, 55 X 20 X 225	
17	39649800	BOX F. EXHAUST	
18	35137500	CONNECTING SLEEVE	
19	39561600	GASKET	
20	35127800	FUNNEL EXTENSION	
21	35151101	MIXING FUNNEL, LARGE HOLE	
22	35127700	MIXING FUNNEL W. SMALL HOLE	
23	39582600	WHIPPER HOUSING 45 DEG. OUTLET	
24	39495700	SILICONE HOSE GREY	
25	39700100	OUTLET TUBE W/PIN LONG	



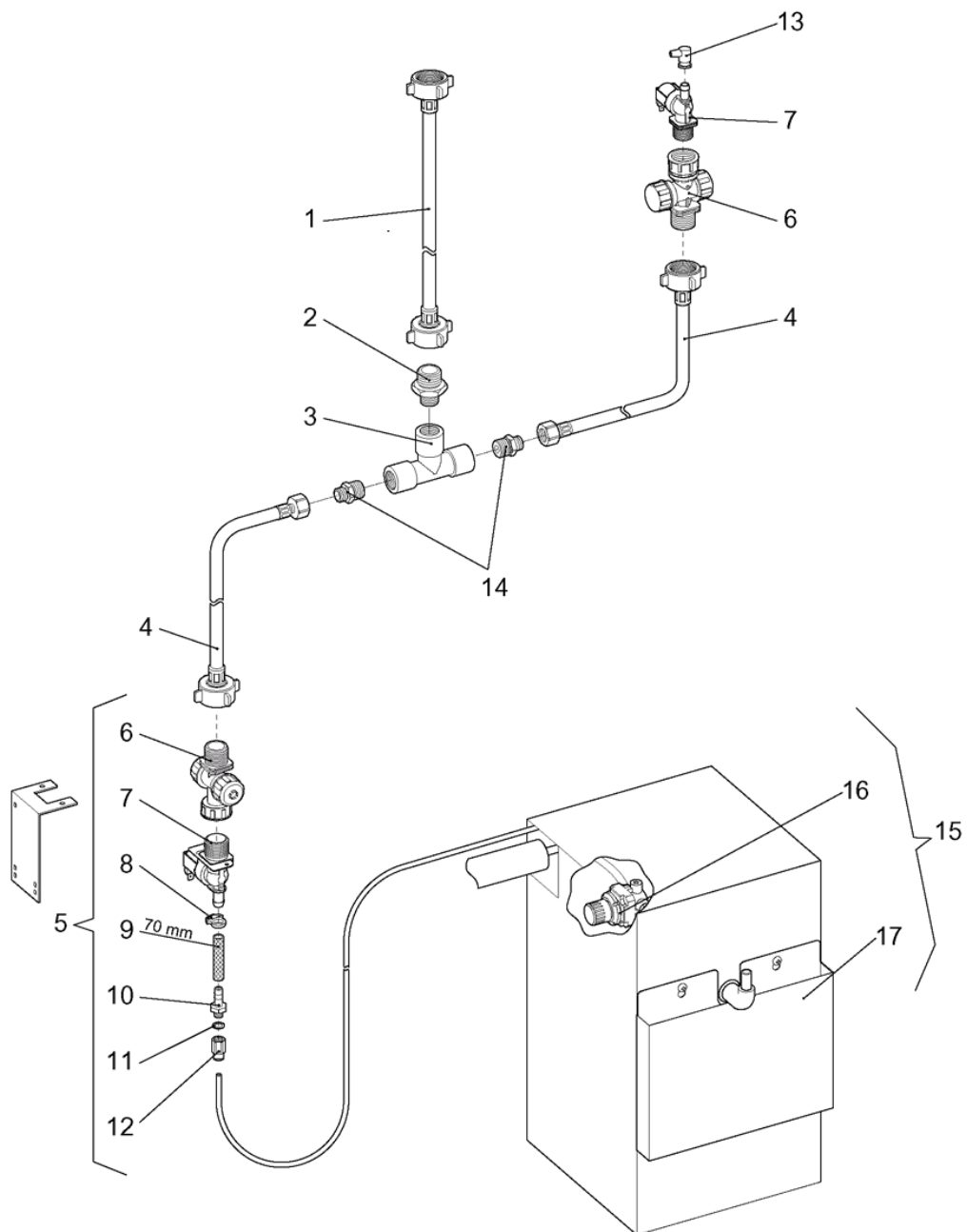
	Code	Description	Notes
1	30727200	INGR. CANISTER FULL, MOUNT.	
2	30737800	INGR. CANISTER REDUCED, MOUNT.	
3	31019600	LID FOR CANISTER	
4	39414700	SIGHT GLASS	
5	39553000	COUPLING	
6	39446700	SLEEVE BUSHING	
7	39553800	AUGER, FULL	
8	39552900	AUGER, REDUCED	
9	39525201	OUTLET SPOUT, FULL	
10	39525202	OUTLET SPOUT, REDUCED	
11	39630200	OUTLET PIPE	



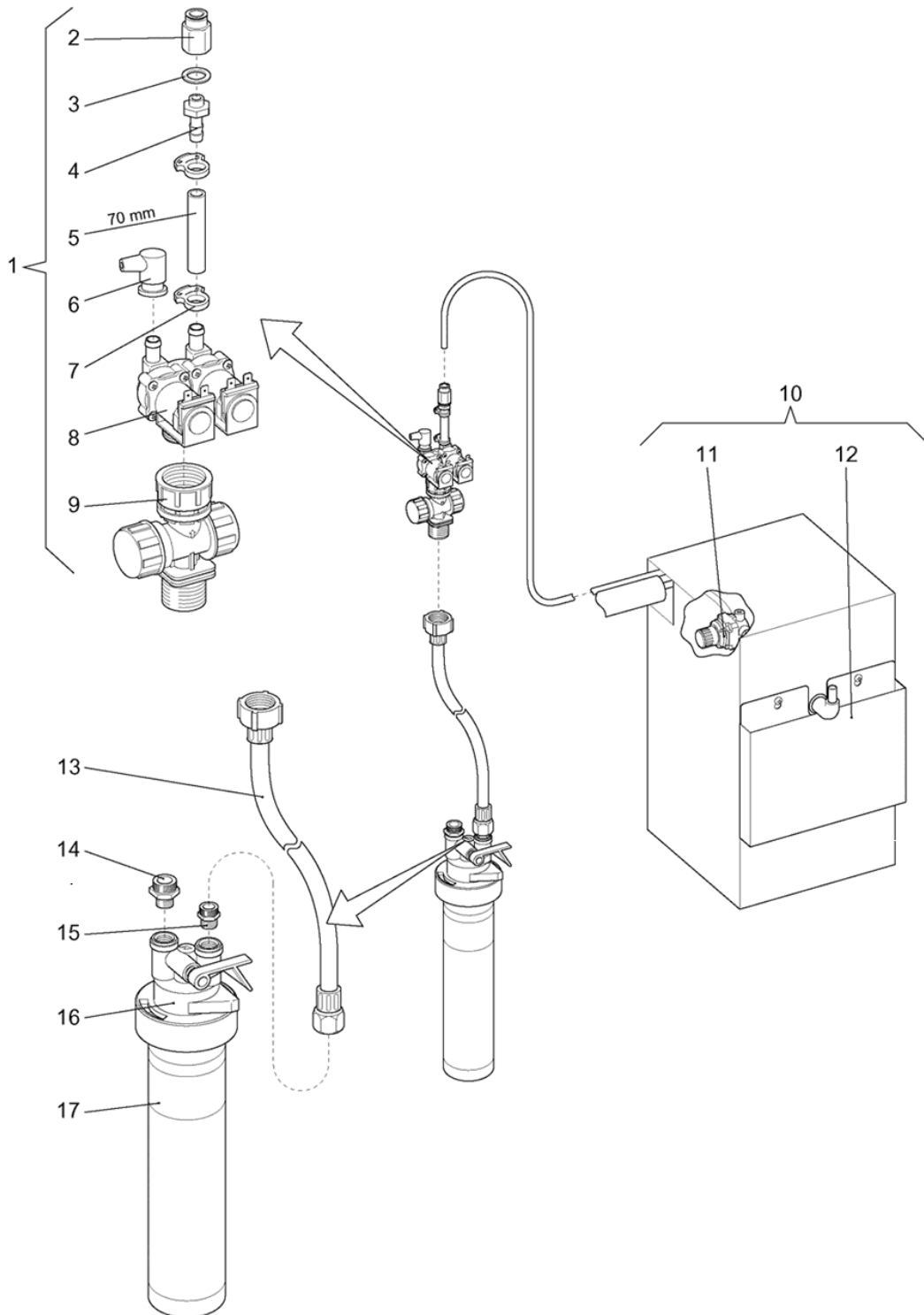
	Code	Description	Notes
1	30699100	INGR. CANISTER FULL, MOUNT.	
2	31019600	LID FOR CANISTER	
3	39414700	SIGHT GLASS	
4	39553000	COUPLING	
5	39446700	SLEEVE BUSHING	
6	39553800	AUGER, FULL	
7	39525201	OUTLET SPOUT, FULL	
8	39630200	OUTLET PIPE	
9	30897100	STIRRING WHEEL, MOUNT.	
10	09124306	RETAINING RING	
11	09121508	ALUMINIUM WASHER	
12	39519700	STIRRING WHEEL	
13	09109005	WING NUT	



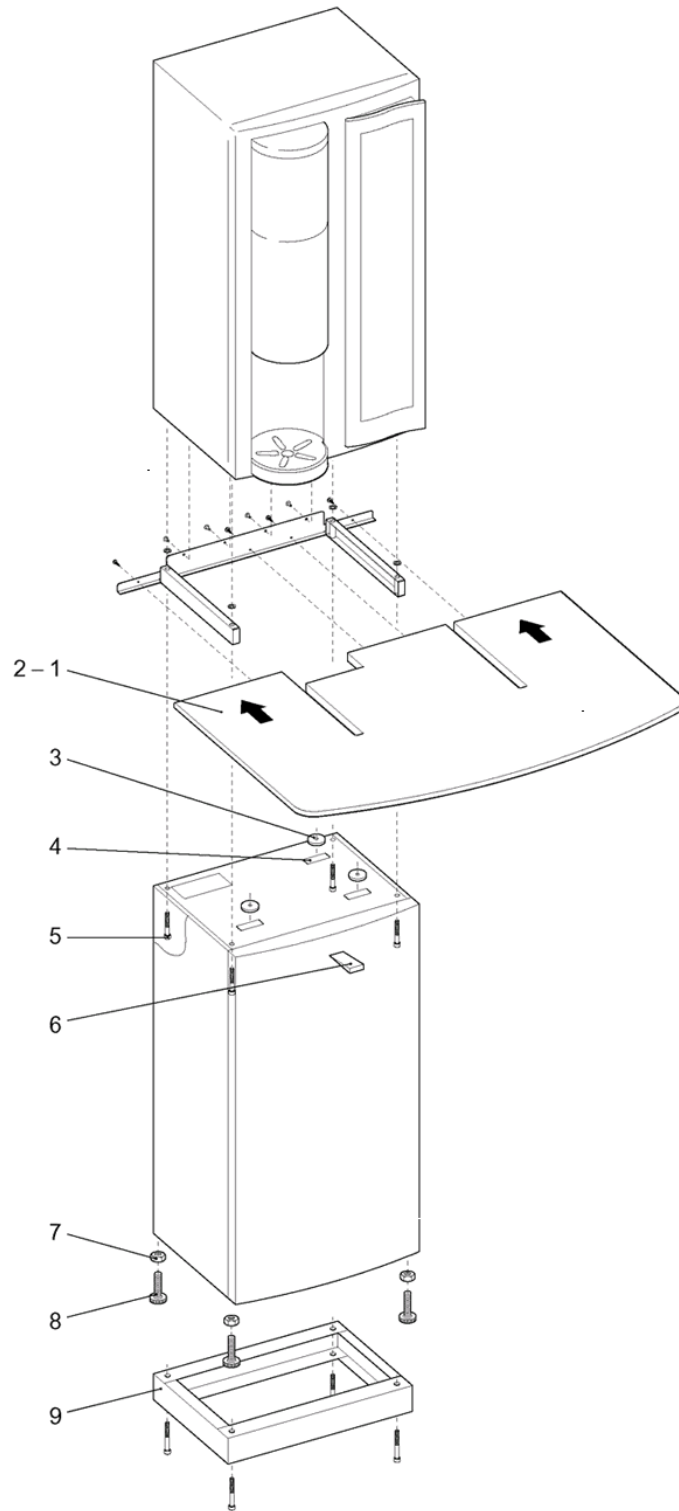
	Code	Description	Notes
1	30691100	INGR. CANISTER RED/FULL, MOUNT	
2	30699200	INGR. CANISTER REDUCED, MOUNT.	
3	31019600	LID FOR CANISTER	
4	39553000	COUPLING	
5	39414700	SIGHT GLASS	
6	39446700	SLEEVE BUSHING	
7	39552900	AUGER, REDUCED	
8	39525201	OUTLET SPOUT, FULL	
9	39525202	OUTLET SPOUT, REDUCED	
10	39630200	OUTLET PIPE	
11	30896900	STIRRING WHEEL, MOUNT.	
12	39519700	STIRRING WHEEL	
13	09124306	RETAINING RING	
14	09121508	ALUMINIUM WASHER	
15	09109005	WING NUT	



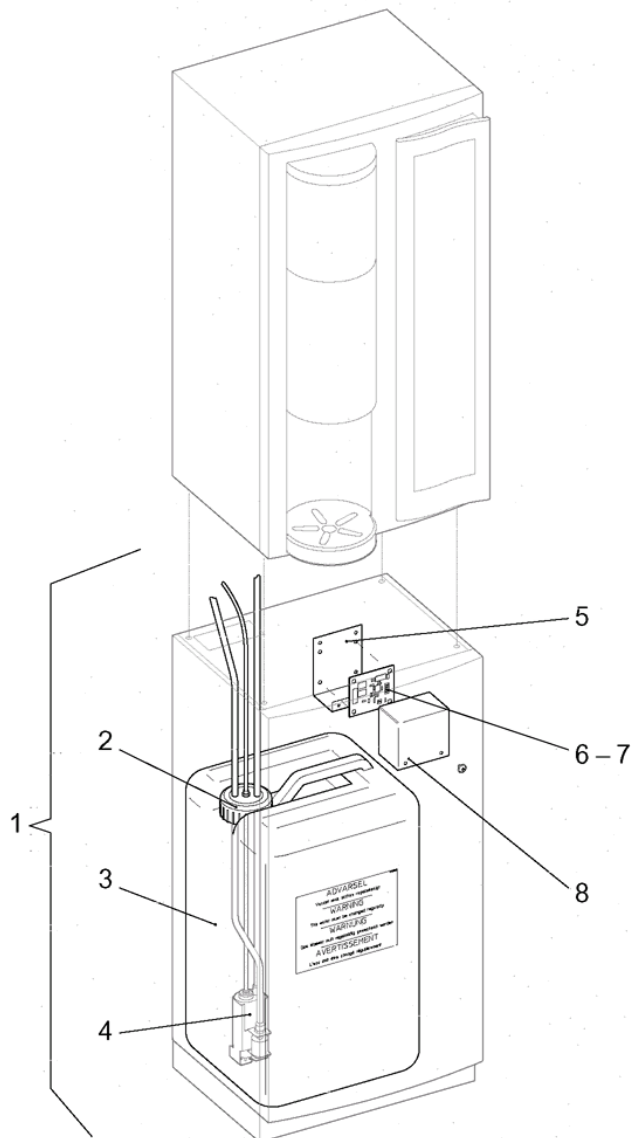
	Code	Description	Notes
1	35092000	CONNECTING HOSE WIRSBO 3/4"	
2	39309700	COLLAR NIPPLE 3/8" - 3/4"	
3	39304905	T-PIECE 3 X 3/8" INT.	
4	30773402	CONNECTING HOSE 3/4 - 1/4	
5	30892800	INLET VALVE, KOMPL.	
6	39269000	WATER FILTER	
7	41533500	INLET VALVE 24V DC	
8	39414014	HOSE CLIP Ø15/Ø16,8	
9	39309600	REINFORCED HOSE	
10	39309302	HOSE CONNECTION 12 X 1/8"	
11	39309501	GASKET NYLON	
12	39378705	CONNECTING PIECE	
13	35003400	ELBOW FLANGE	
14	39300602	COLLAR NIPPLE 3/8" - 1/4"	
15	75192000	COLD UNIT, MOUNT. 5100	
16	30780200	REDUCTION VALVE ASS. 5100	
17	30849600	WASTE BUCKET F COLD UNIT	



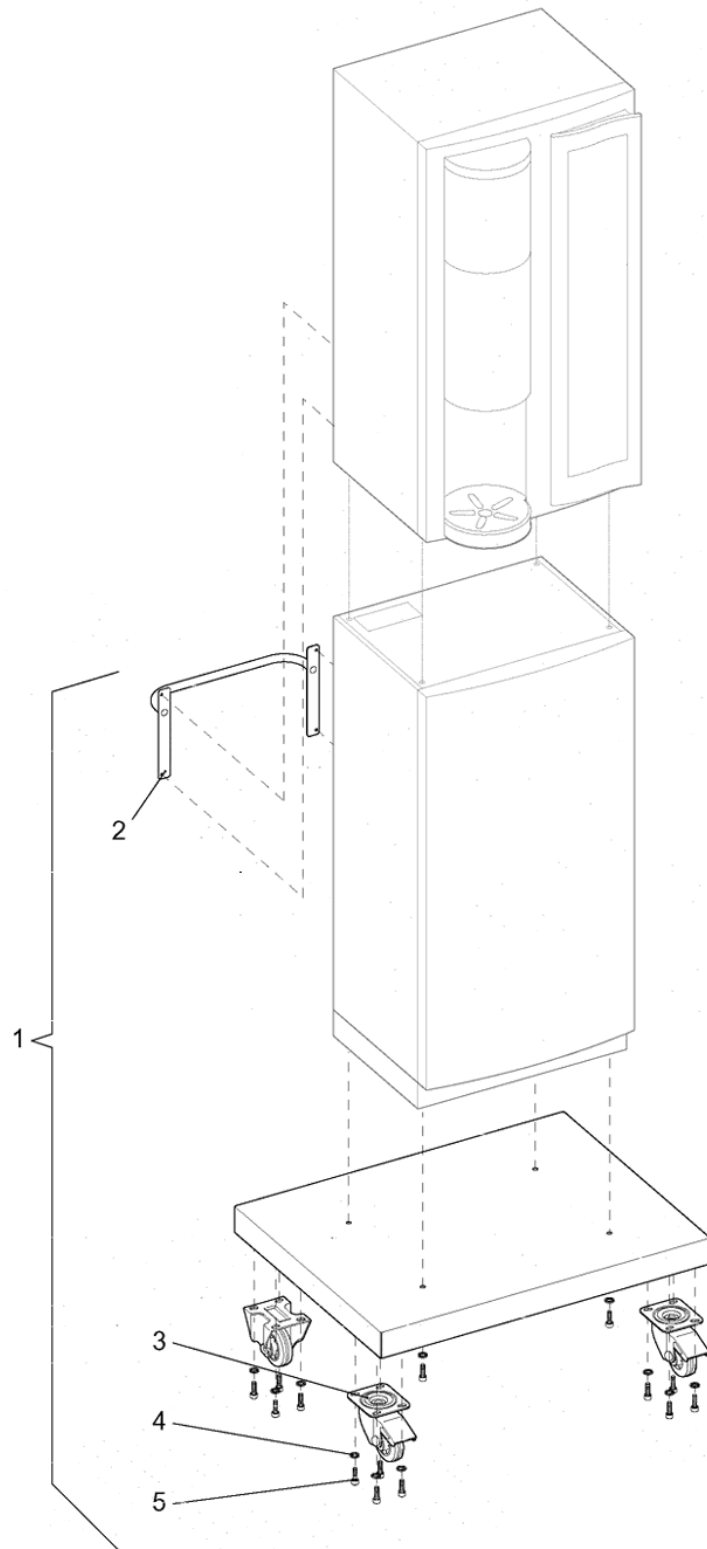
	Code	Description	Notes
1	30780400	DOUBLE INLET VALVE COMPL.	
2	39378705	CONNECTING PIECE	
3	39309501	GASKET NYLON	
4	39309302	HOSE CONNECTION 12 X 1/8"	
5	39309600	REINFORCED HOSE	
6	35003400	ELBOW FLANGE	
7	39414014	HOSE CLIP Ø15/Ø16,8	
8	41530100	DOUBLE INLET VALVE	
9	39269000	WATER FILTER	
10	75192000	COLD UNIT, MOUNT. 5100	
11	30780200	REDUCTION VALVE ASS. 5100	
12	30849600	WASTE BUCKET F COLD UNIT	
13	30773402	CONNECTING HOSE 3/4 - 1/4	
14	39309700	COLLAR NIPPLE 3/8" - 3/4"	
15	39370602	"COLLAR NIPPLE 3/8" - 1/4""	
16	39207902	COVER FOR FILTER	
17	39207903	FILTER CARTRIDGE	



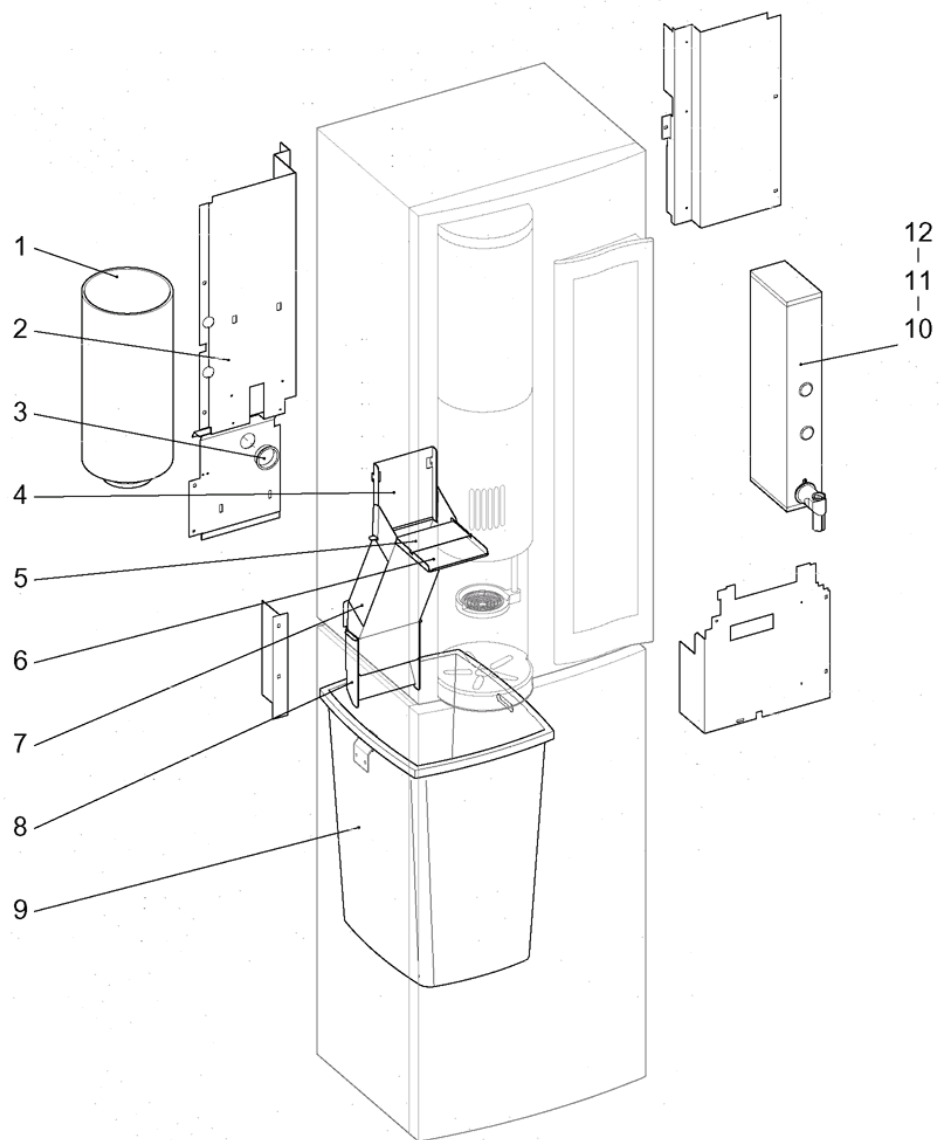
	Code	Description	Notes
1	39270401	TABLE ARRANGEMENT MAHOGANY	
2	39270402	TABLE ARRANGEMENT BIRCH, 5100	
3	30759000	WASHER FOR TABLETOP	
4	39486400	DOUBLE TAPE	
5	09068041	CHEESE HEAD SCREW M8X55	
6	72115500	WOODEN KEY	
7	09083240	NUT 8MG	
8	39277000	LEVELLER M8X30	
9	40122300	KIT BASE 5100	



	Code	Description	Notes
1	75196200	WATER CANISTER KIT 5100	
2	35103700	SCREW RING	
3	39574500	WATER CANISTER 25L	
4	35103200	PUMP UNIT	
5	30836100	SUSPENSION F WATERPUMP DRIVER	
6	47123600	WATER PUMP DRIVER F FB5100	
7	41005802	FIXTURE F CIRCUIT BOARD	
8	30836200	COVER F WATER PUMP DRIVER	



	Code	Description	Notes
1	75196300	TROLLEY KIT	
2	35125300	HANDLE FOR CABINET	
3	39651702	TRANSPORT WHEEL, PIVOTABLE	
4	09122608	TOOTHED WASHER	
5	09068039	SCREW UNBRACO M8X25	



	Code	Description	Notes
1	39578700	GLASS CANISTER, HIGH	
2	30881100	COVER FOR WATER TANK, HIGH	
3	39581710	PLUG D=30,0	
4	30810400	SUSPENSION FOR SLIDE	
5	30964000	SEPERATOR FOR COFFEE WASTE	
6	30815300	SLIDE FOR COFFEE WASTE	
7	30810700	LID FOR SLIDE	
8	30810300	COVER FOR COFFEE WASTE	
9	29827200	WASTE BUCKET 12L	
10	30860800	INGR. CANISTER, WHITENER HIGH	
11	30860900	INGR. CANISTER, CHOCO. HIGH	
12	30861100	INGR. CANISTER, SUGAR HIGH	