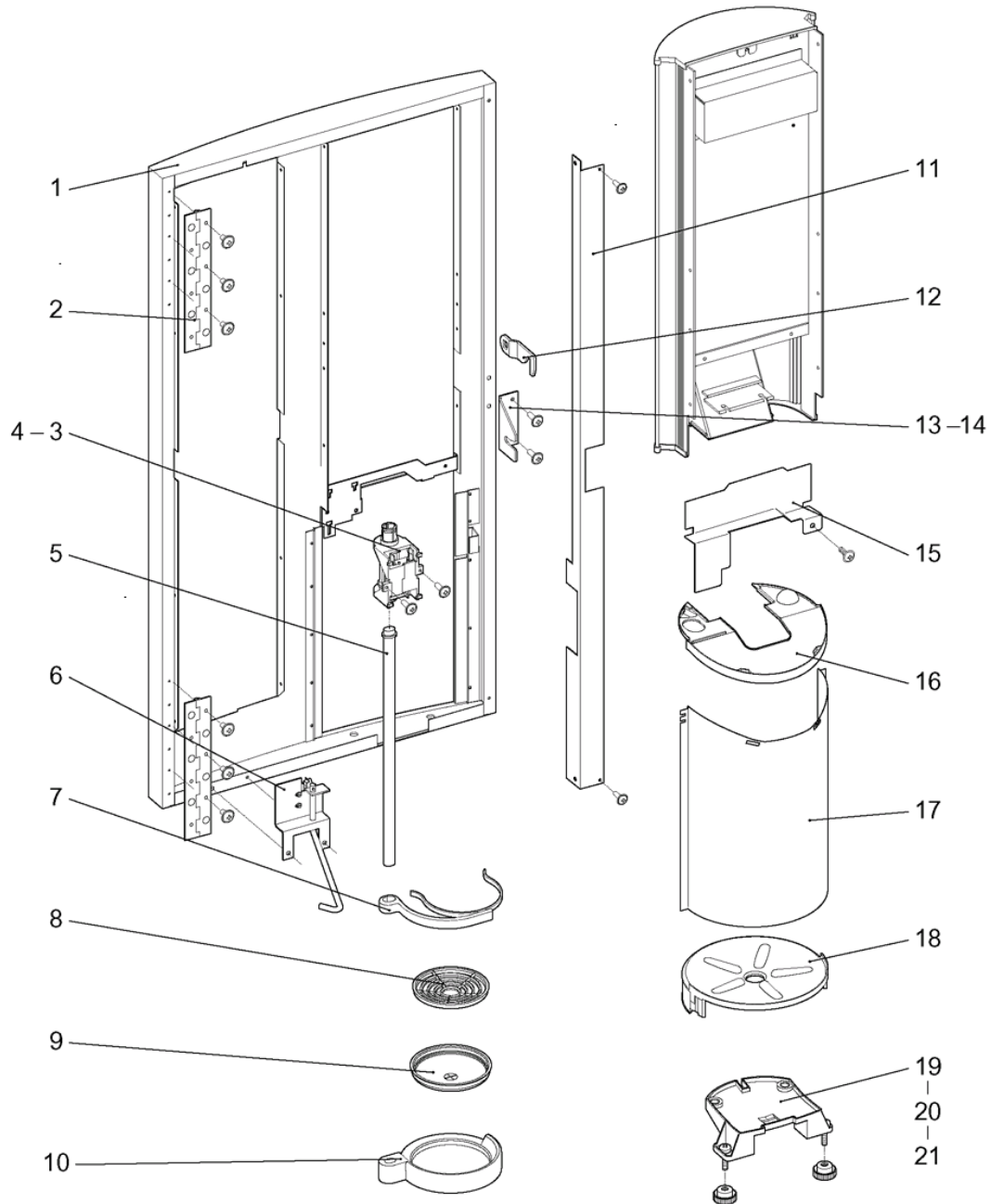
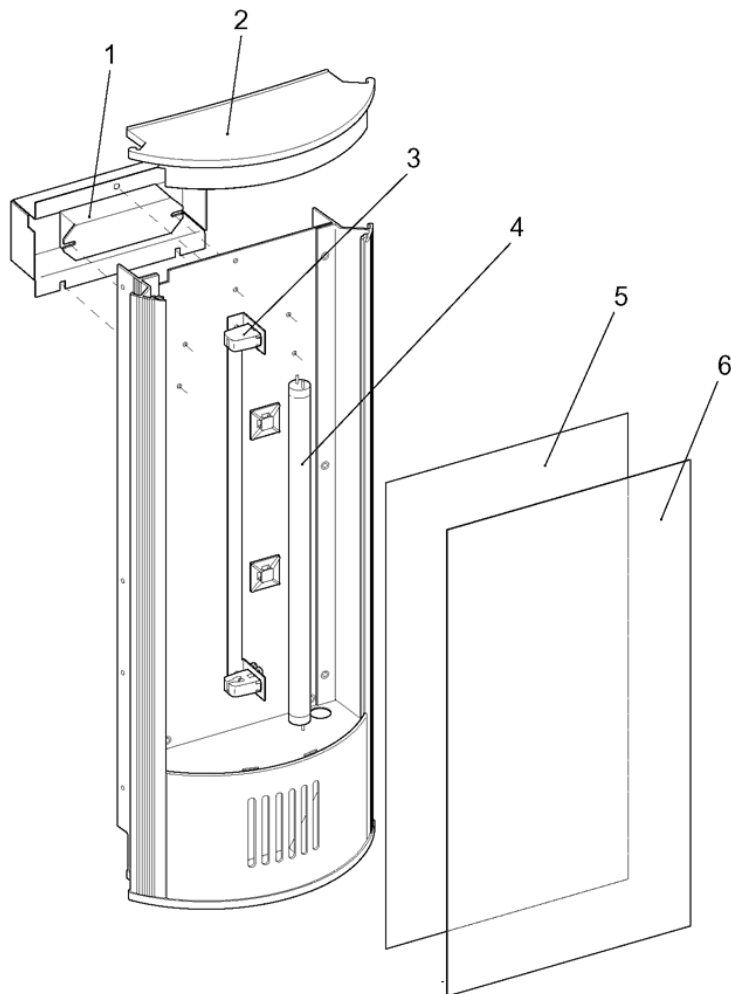


IN 5100

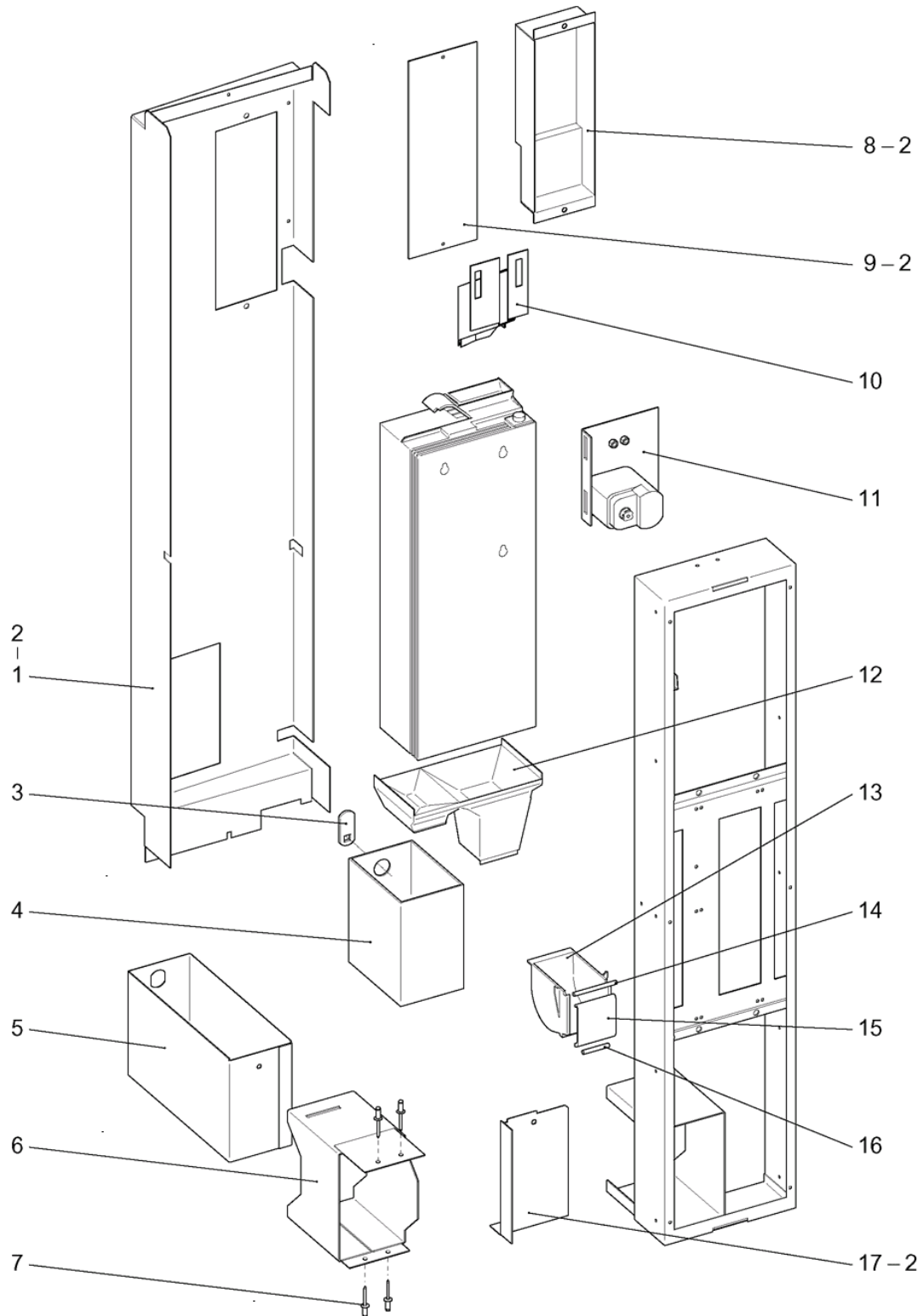




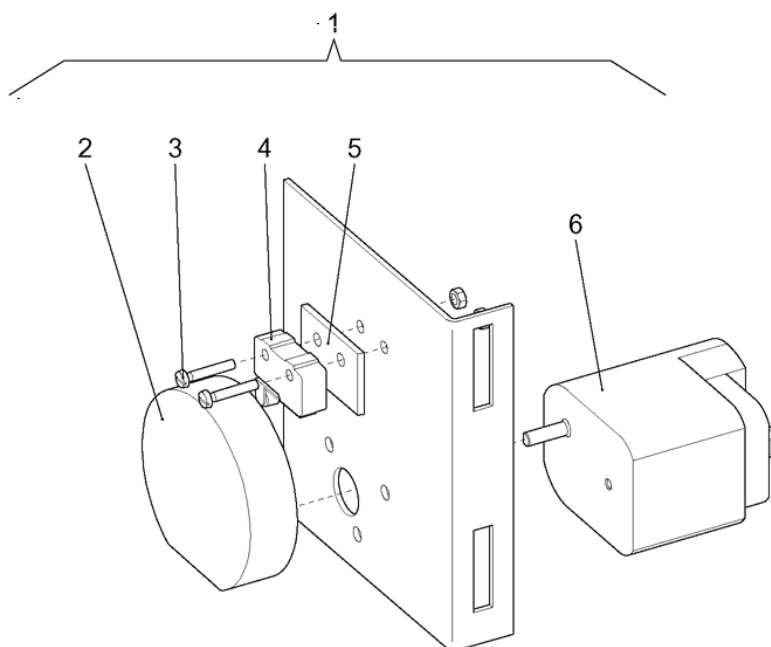
	Code	Description	Notes
1	30866880	DOOR, GREY	
2	30726500	HINGE	
3	35097501	PIVOT BRACKET	
4	09020608	SCREW SFPX 1/4 X 6	
5	39274500	ARM FOR CUPCARRIER	
6	42359600	DOORSWITCH, CPL.	
7	39580800	CUP SUPPORT	
8	39571200	GRID FOR CUP CARRIER	
9	39571400	CUP SHELF HOLDER	
10	39571300	CUP CARRIER	
11	30867680	COVER F LOCK, GREY	
12	30783600	LOCKING LATCH	
13	30726400	DOOR ELEVATOR	
14	09026710	SCREW RTFX M4X6	
15	30902100	COVER F DOOR	
16	39490102	PROTECTION LID OUTLET	
17	30896300	INNER HOUSING	
18	35032200	POT PAD	
19	39571600	BOTTOM FOR POT PAD	
20	39577700	FINGER NUT M5	
21	09026622	SCREW GFPX M5X12	



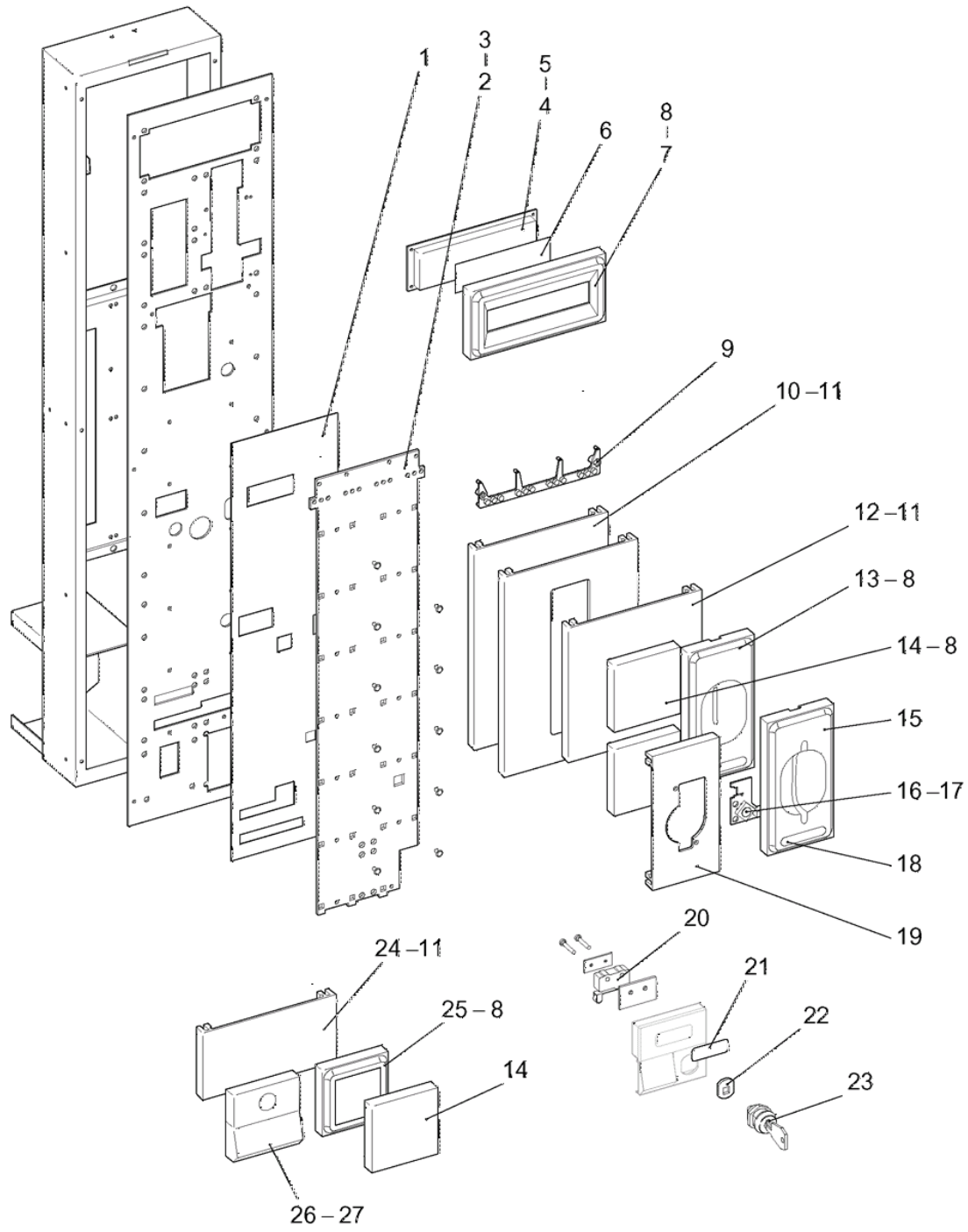
	Code	Description	Notes
1	41707700	INVERTER	
2	39579300	LID FOR ADVERTISING PANEL	
3	41707800	SOCKET FOR FLOURCENT TUBE	
4	41701408	FLUORESCENT TUBE	
5	30888700	DIFFUSOR PLATE	
6	30888800	GLASS FOR POSTER	



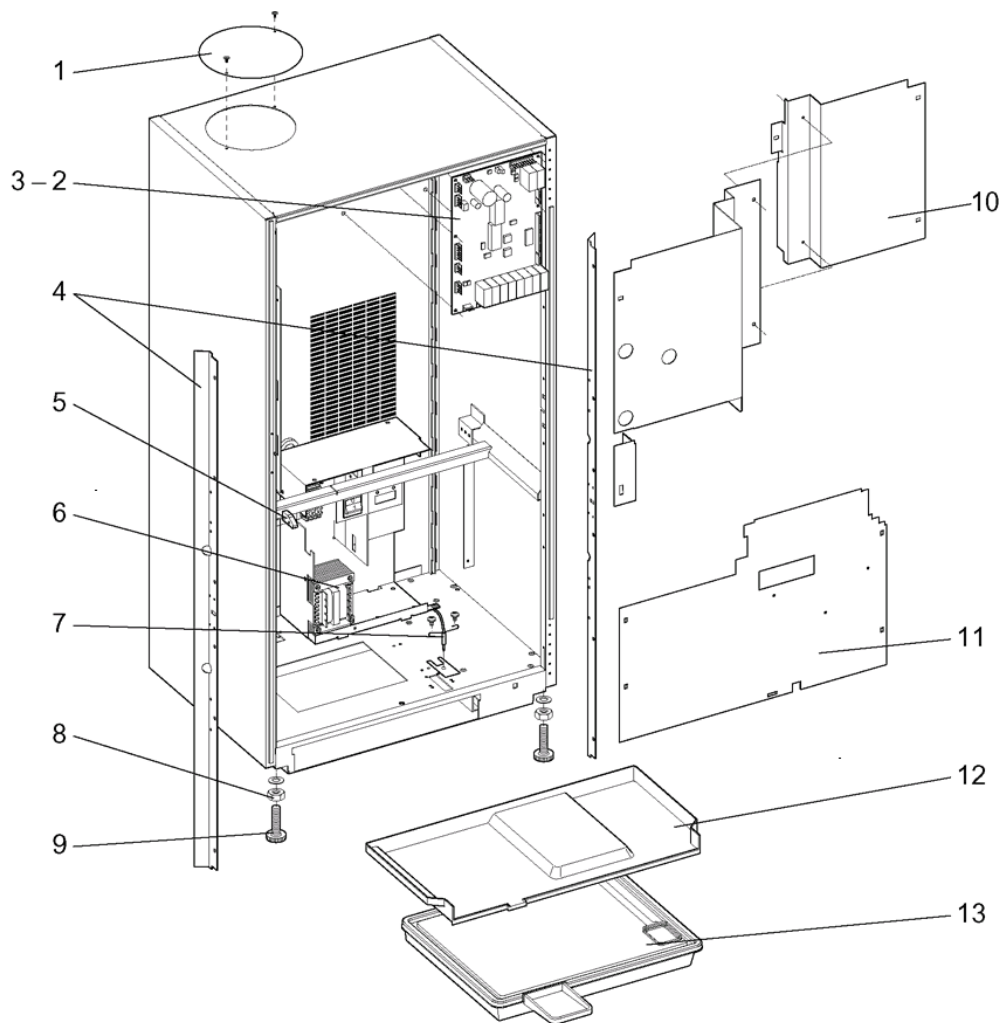
	Code	Description	Notes
1	30699825	COVER PLATE F DOOR, WHITE	
2	09026710	SCREW RTFX M4X6	
3	30461400	LOCKING LATCH F CASH BOX	
4	29640500	CASH BOX	
5	30890800	CASH BOX, LARGE	
6	30891200	SUPPORT F LARGE CASH BOX	
7	09132010	POP RIVET	
8	30720500	CAP FOR CARD READER	
9	30720680	COVER PLATE, GREY	
10	30797200	COIN CHUTE	
11	42359200	COIN-RETURN MECHANISM	
12	39562200	COIN TUBE, PLASTIC	
13	39457000	COIN RETURN CUP	
14	12074700	SHAFT F. FLAP	
15	39457100	FLAP F. COIN RETURN CUP	
16	12074800	COUNTER WEIGHT	
17	30730500	COVER PLATE FOR CASH BOX	



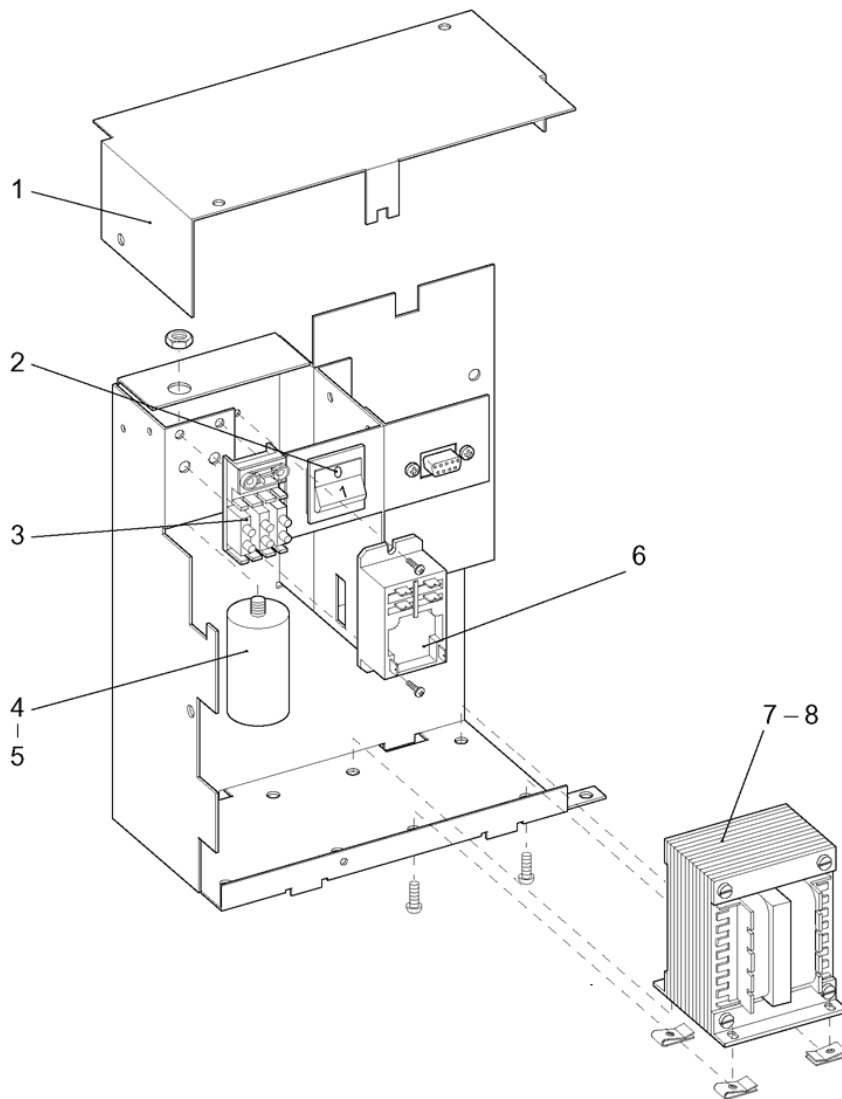
	Code	Description	Notes
1	42359200	COIN-RETURN MECHANISM	
2	39461800	ECCENTRIC	
3	09009409	CHEESE HEAD SCREW M2X12	
4	41308800	MICRO SWITCH, SMALL	
5	14262700	INSULATION F. SWITCH	
6	41512800	MOTOR	



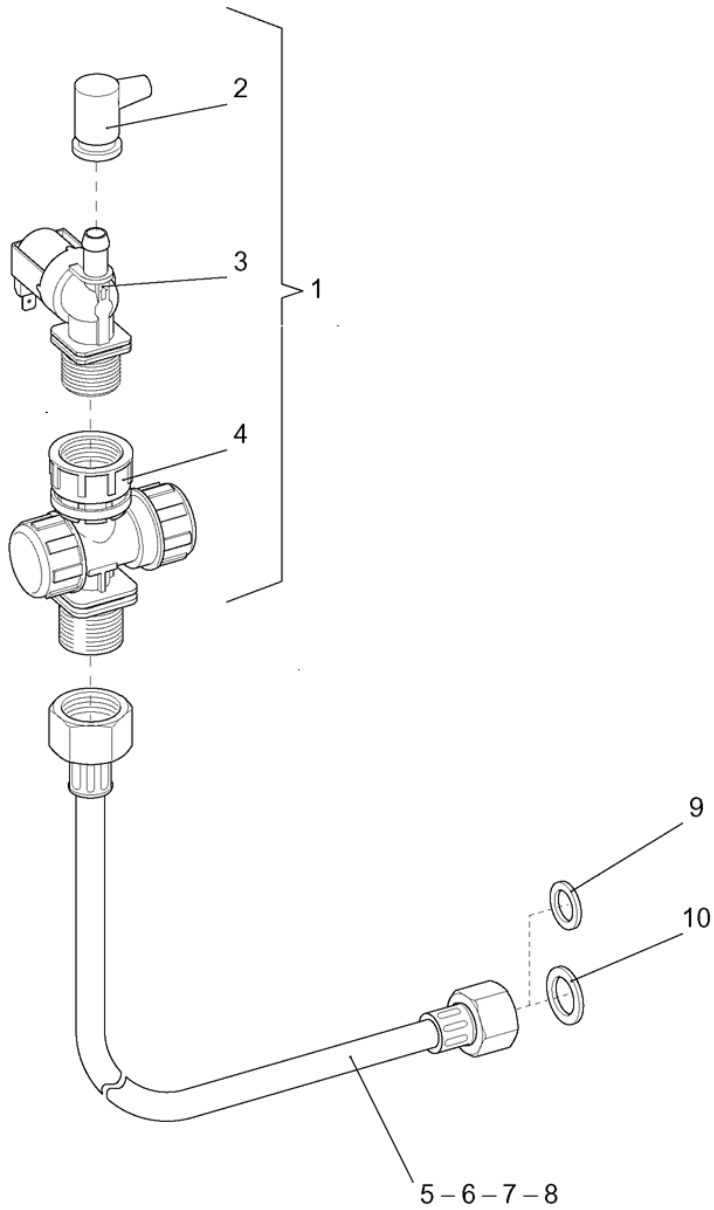
	Code	Description	Notes
1	39556400	INSULATION FOIL FOR SPC	
2	47103501	SPC CIRCUIT BOARD	
3	48840300	FIXTURE FOR CIRCUIT BOARD	
4	48560500	LCD DISPLAY 2X16 CHARACTERS	
5	09026711	SCREW RTFX M4X8	
6	35133500	GLASS FOR LCD DISPLAY	
7	39570500	LCD MODULE FRAME	
8	09139009	RIVET	
9	39550800	LIGHT GUIDE F PRE-SELECTION	
10	39525317	BLINDING MODULE 191,7 MM	
11	09026710	SCREW RTFX M4X6	
12	39525310	BLINDING MODULE, 127,7 MM	
13	39536100	COIN INSERT MODULE	
14	39555900	BLINDING MODULE, 1 MODULE	
15	39536200	CARD INSERT MODULE	
16	47101001	CARD AND COIN RETURN BUTTON	
17	39463400	CLIP F. PRINT BOARD	
18	39536300	RETURN BUTTON CARD AND COIN	
19	39657200	COVER PROFILE, ZIP-READER	
20	41308800	MICRO SWITCH, SMALL	
21	39536701	GLASS FOR DISPLAY	
22	30586700	LOCKING LATCH F. MULTI BREW	
23	39627001	W01B LOCK FOR DOOR	
24	39525309	BLINDING MODULE 63,7 MM	
25	39450400	MODULE FRAME 1/4	
26	39556900	DESIGN BUTTON	
27	77397800	DESIGN BUTTON W LOGO	



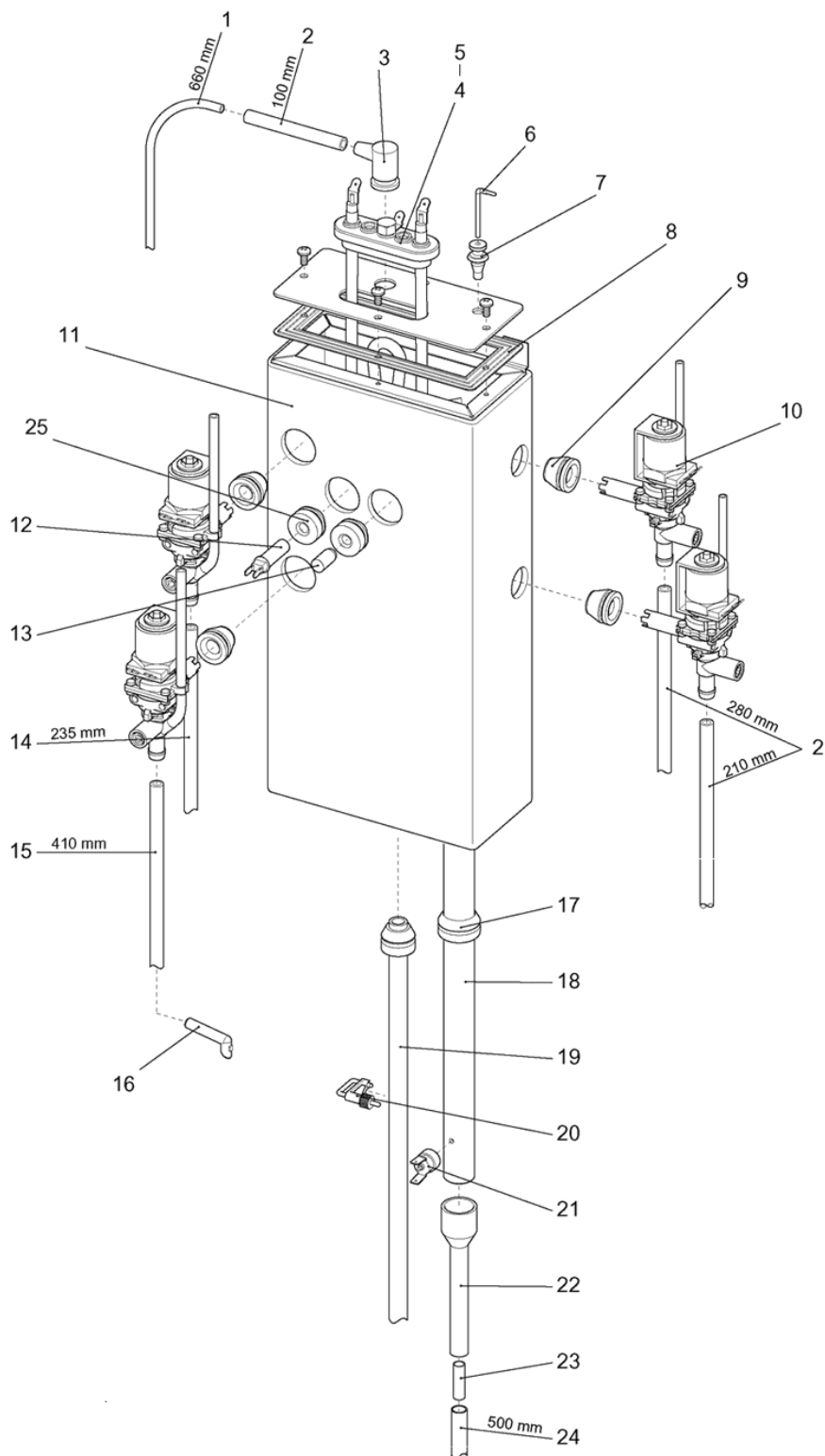
	Code	Description	Notes
1	35056280	COVER, TOP PLATE	
2	47107602	VMC CIRCUIT BOARD	
3	41005802	FIXTURE F CIRCUIT BOARD	
4	30697080	COVER PLATE FOR CABINET SIDE	
5	39650800	DOOR ELEVATOR	
6	42377800	E-BOX ASSEMBLY	
7	42310400	DRIPTRAY WATER SENSOR	
8	09083240	NUT 8MG	
9	31032100	LEVELLER M8X30	
10	30874700	COVER F CIRCUIT BOARD	
11	30878800	LOWER COVER	
12	39560000	WASTE TRAY	
13	30436902	DRIP TRAY	



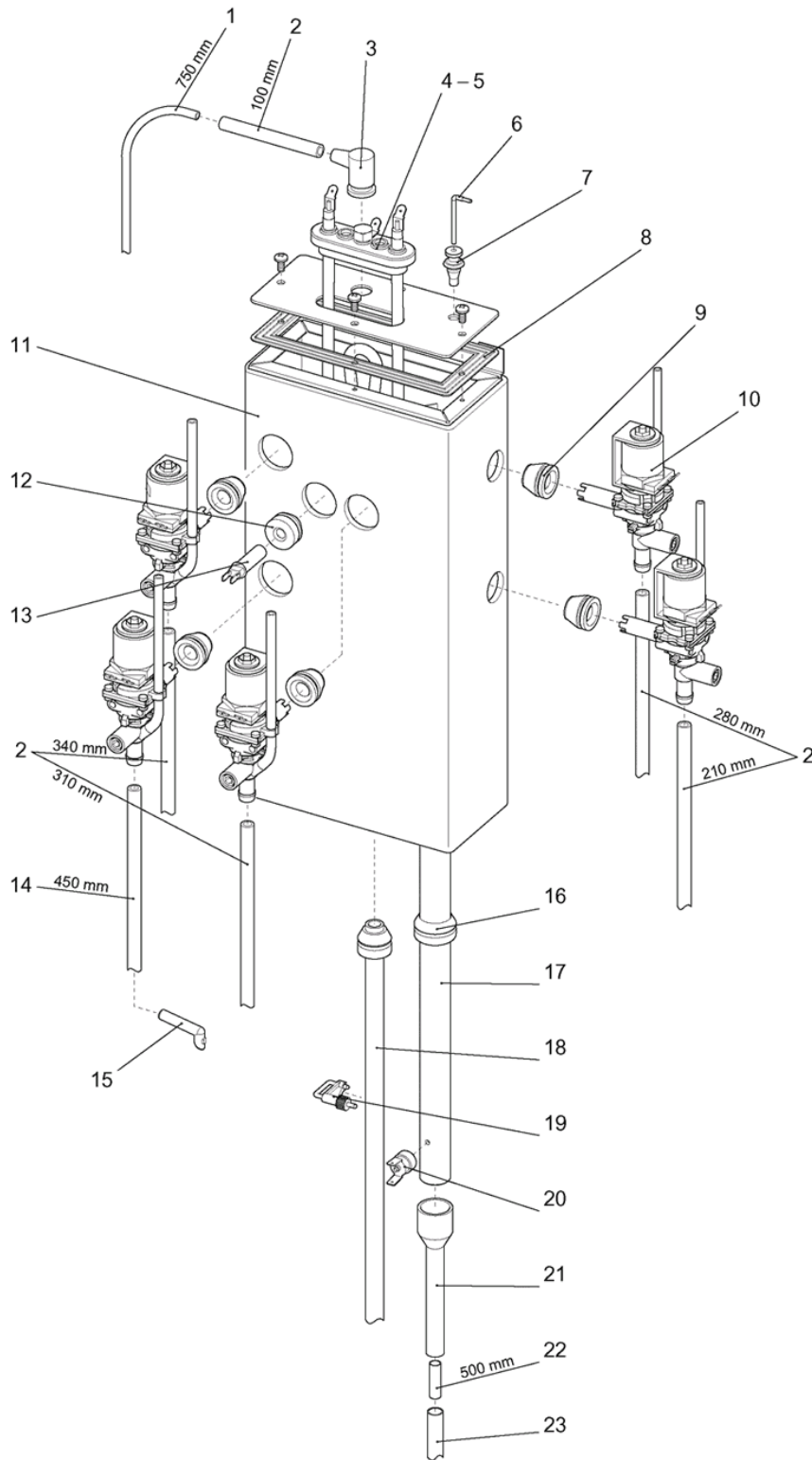
	Code	Description	Notes
1	30875000	COVER F E-BOX	
2	41303603	TILTING SWITCH	
3	41006900	CABLE RELIEF	
4	41815700	NOISE CAPACITOR	
5	41815702	NUT	
6	41414000	RELAY	
7	41610000	TRANSFORMER	
8	39224700	SPEED CLIPS	



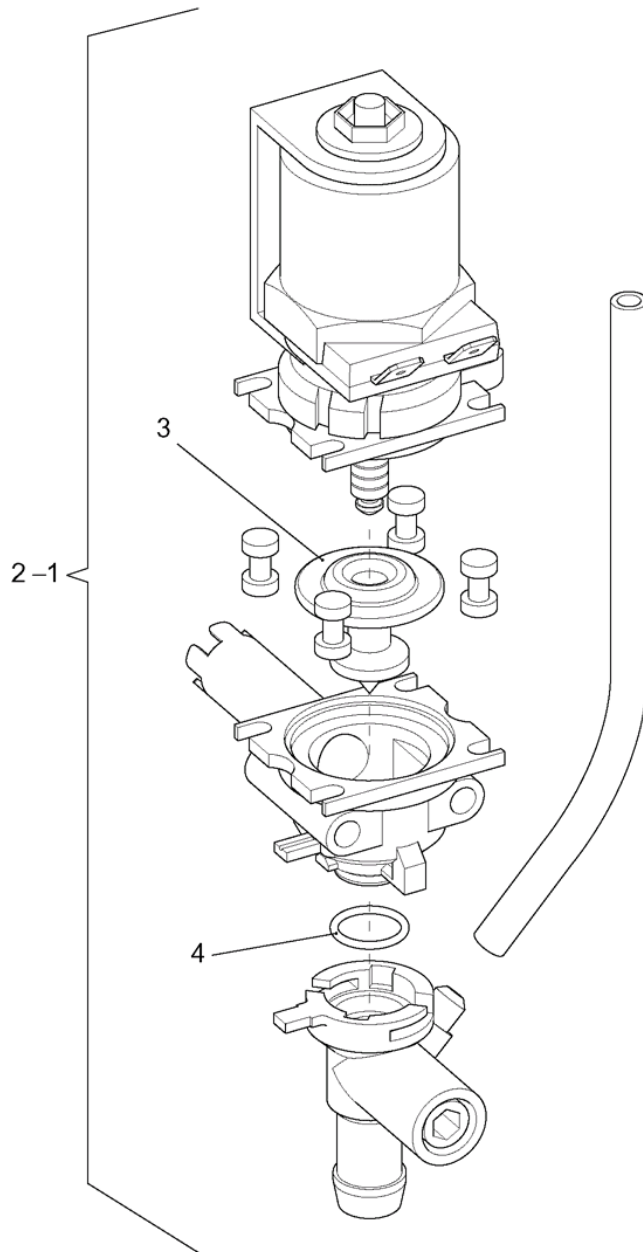
	Code	Description	Notes
1	30765600	INLET VALVE, CPL.	
2	35003400	ELBOW FLANGE	
3	41533500	INLET VALVE 24V DC	
4	39269000	WATER FILTER	
5	35092000	CONNECTING HOSE WIRSBO 3/4"	
6	39649100	"CONNECTING HOSE 3/8" DECS"	
7	39643501	PEX-HOSE WO INSUL. SELECTA	
8	39655700	CONNECTING HOSE WIRSBO 1/2"	
9	39415704	RUBBER GASKET Ø18-Ø12,5-2	
10	39415702	RUBBER GASKET Ø24-Ø15-2	



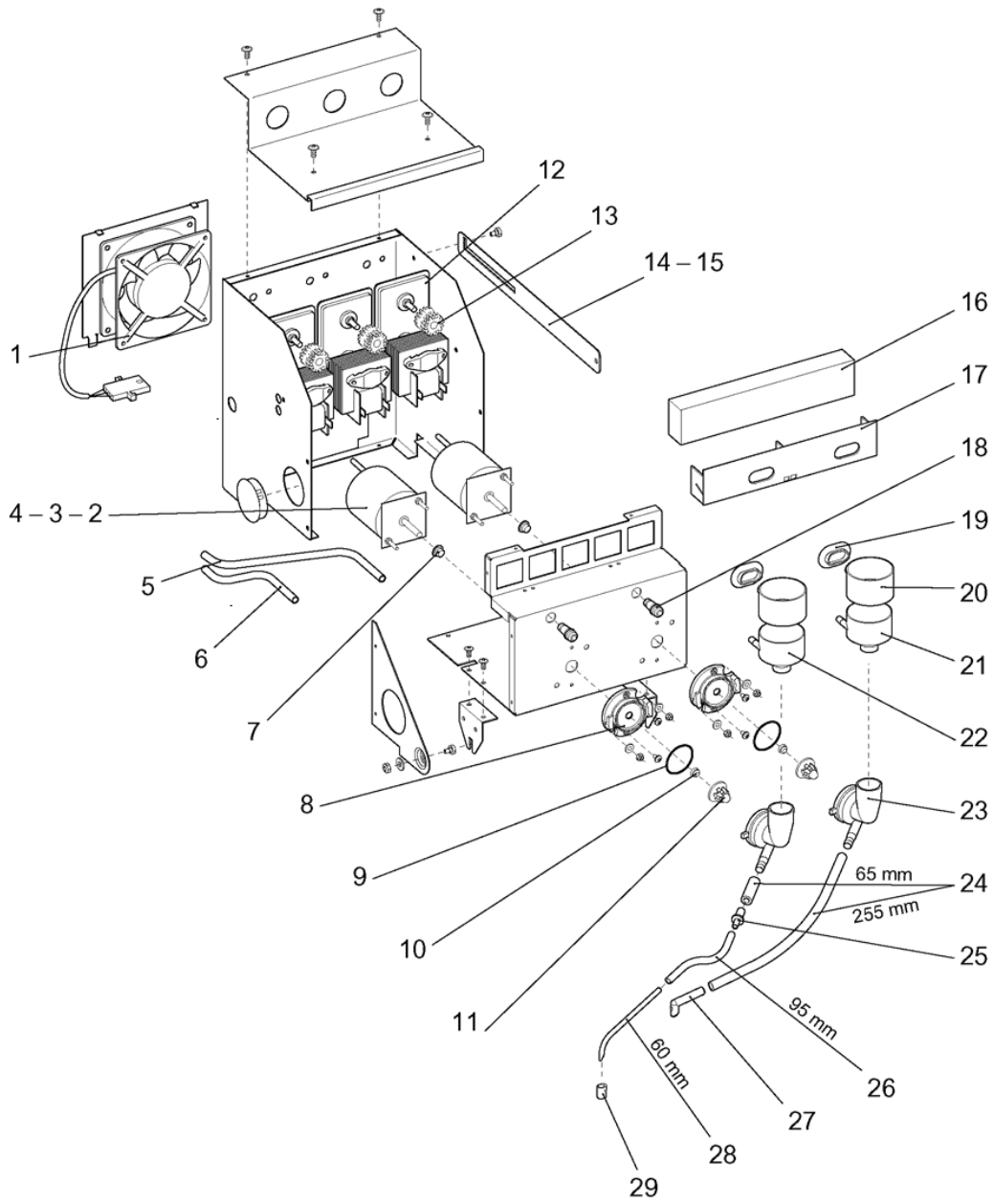
	Code	Description	Notes
1	39474808	NYLON HOSE, BLACK Ø6/Ø4	
2	39470503	HOSE Ø9,5/Ø6	
3	35003400	ELBOW FLANGE	
4	41609700	HEATING ELEMENT (2000W)	
5	41609800	HEATING ELEMENT (2700W)	
6	29776915	ELECTRODE, 40 MM	
7	30742401	HOLDER FOR ELECTRODE	
8	39572800	GASKET FOR WATER TANK LID	
9	39583700	GASKET FOR VALVE	
10	41532400	24VDC VALVE, MÜLLER	
11	39581800	INSULATION F WATER TANK 5100	
12	41834100	THERMAL FEELER	
13	39711800	PLUG FOR SILICONE GASKET	
14	39470504	HOSE Ø13/Ø9	
15	39495700	SILICONE HOSE GREY	
16	39700100	OUTLET TUBE W/PIN LONG	
17	39549900	BOTTOM GASKET F OVERFL PIPE	
18	39552800	OVERFLOW PIPE	
19	39549801	DRAIN HOSE L=750 MM	
20	39200215	HOSE CLAMP	
21	41407402	SAFETY THERMOSTAT 80°C	
22	39510000	RUBBER SPOUT	
23	30853600	CONNECTING PIECE	
24	39470516	HOSE Ø13/Ø9	
25	39550200	SILICONE GASKET	



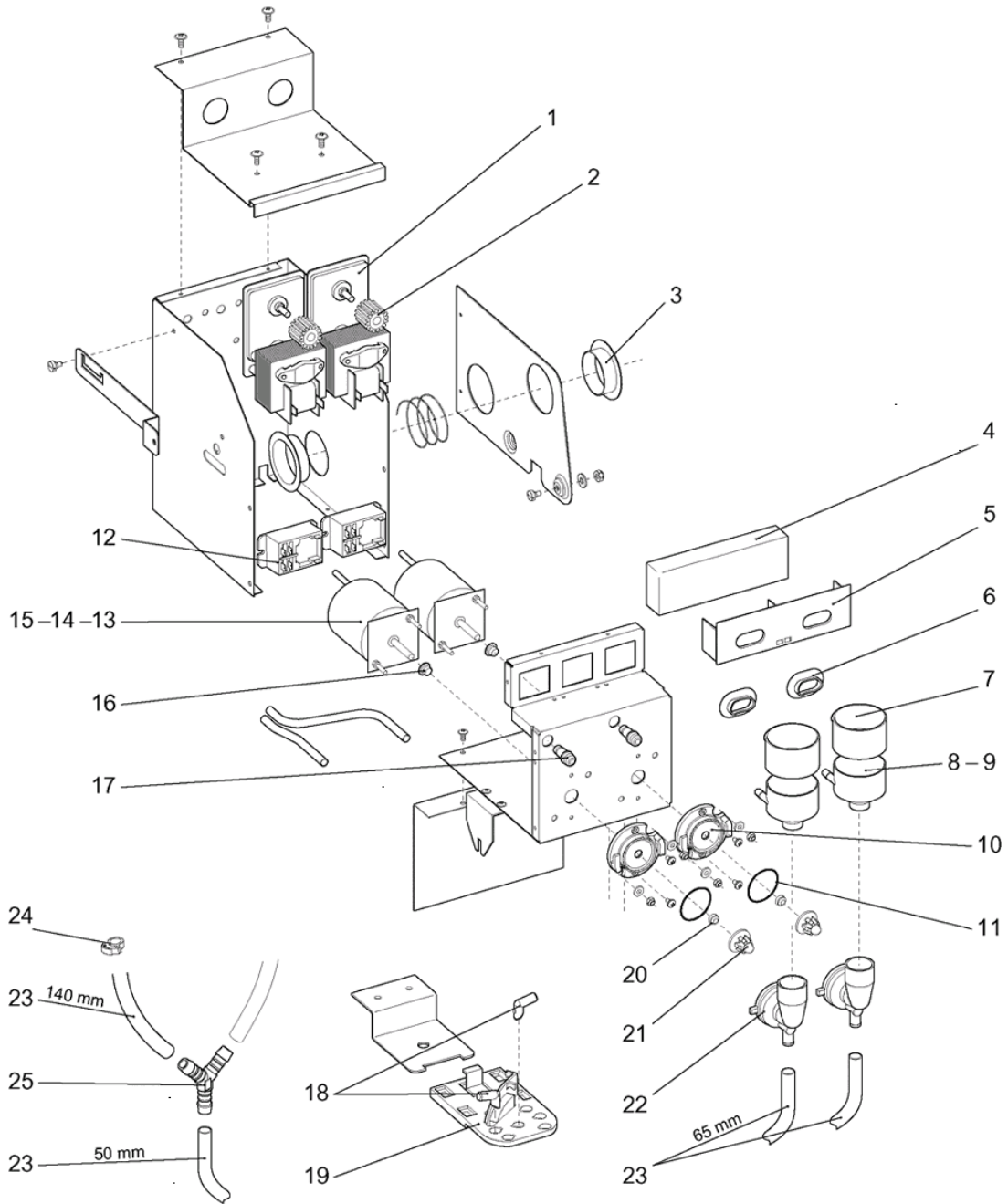
	Code	Description	Notes
1	39474808	NYLON HOSE, BLACK Ø6/Ø4	
2	39470503	HOSE Ø9,5/Ø6	
3	35003400	ELBOW FLANGE	
4	41609700	HEATING ELEMENT (2000W)	
5	41609800	HEATING ELEMENT (2700W)	
6	29776915	ELECTRODE, 40 MM	
7	30742401	HOLDER FOR ELECTRODE	
8	39572800	GASKET FOR WATER TANK LID	
9	39583700	GASKET FOR VALVE	
10	41532400	24VDC VALVE, MÜLLER	
11	39581800	INSULATION F WATER TANK 5100	
12	39550200	SILICONE GASKET	
13	41834100	THERMAL FEELER	
14	39495700	SILICONE HOSE GREY	
15	39700100	OUTLET TUBE W/PIN LONG	
16	39549900	BOTTOM GASKET F OVERFL PIPE	
17	39552800	OVERFLOW PIPE	
18	39549801	DRAIN HOSE L=750 MM	
19	39200215	HOSE CLAMP	
20	41407402	SAFETY THERMOSTAT 80°C	
21	39510000	RUBBER SPOUT	
22	39470516	HOSE Ø13/Ø9	
23	30853600	CONNECTING PIECE	



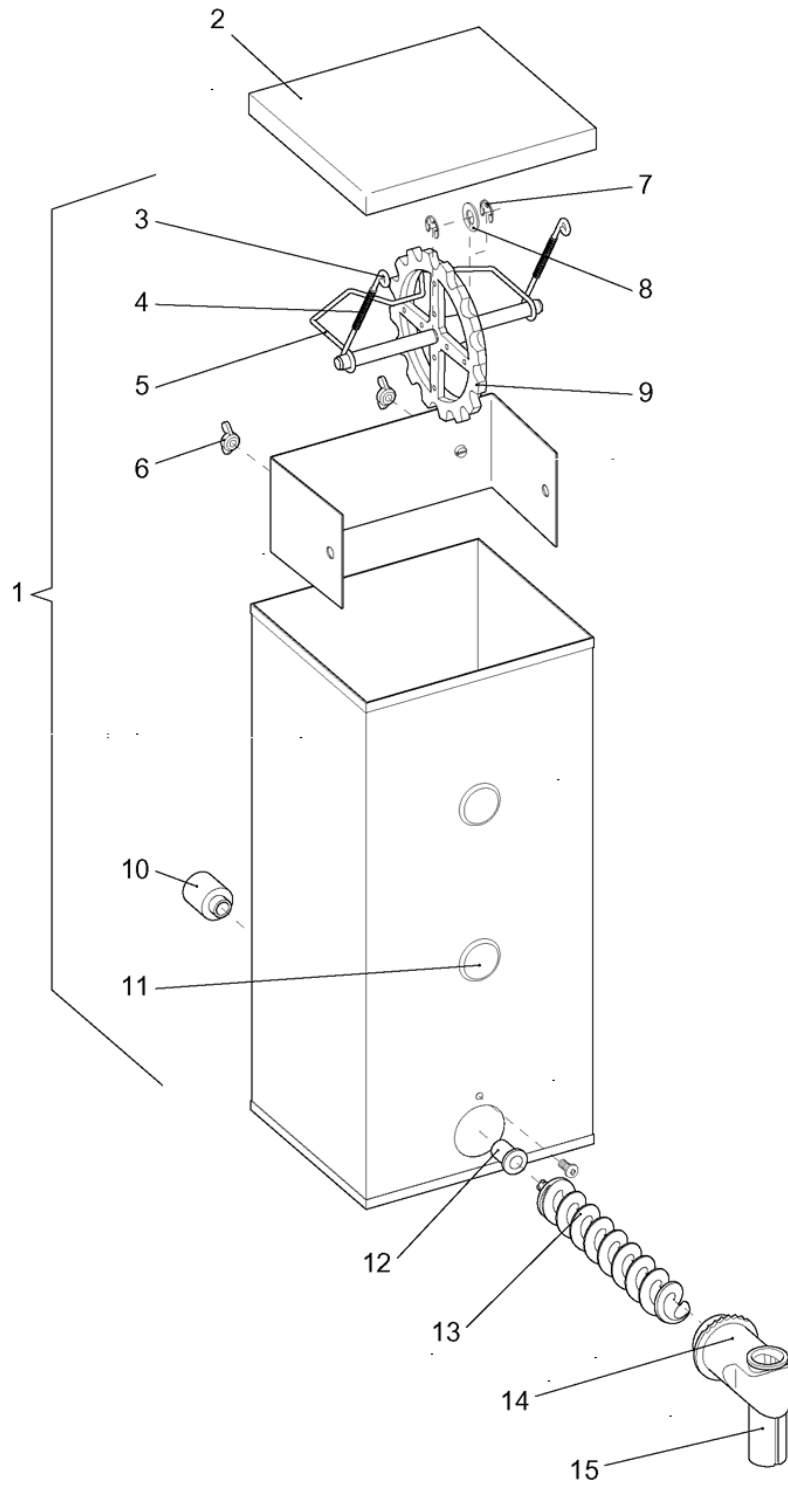
	Code	Description	Notes
1	41532400	24VDC VALVE, MÜLLER	
2	41532500	230VAC VALVE, MÜLLER	
3	41532408	SEALING FOR MÜLLER VALVE	
4	41532404	O-RING FOR MÜLLER VALVE	



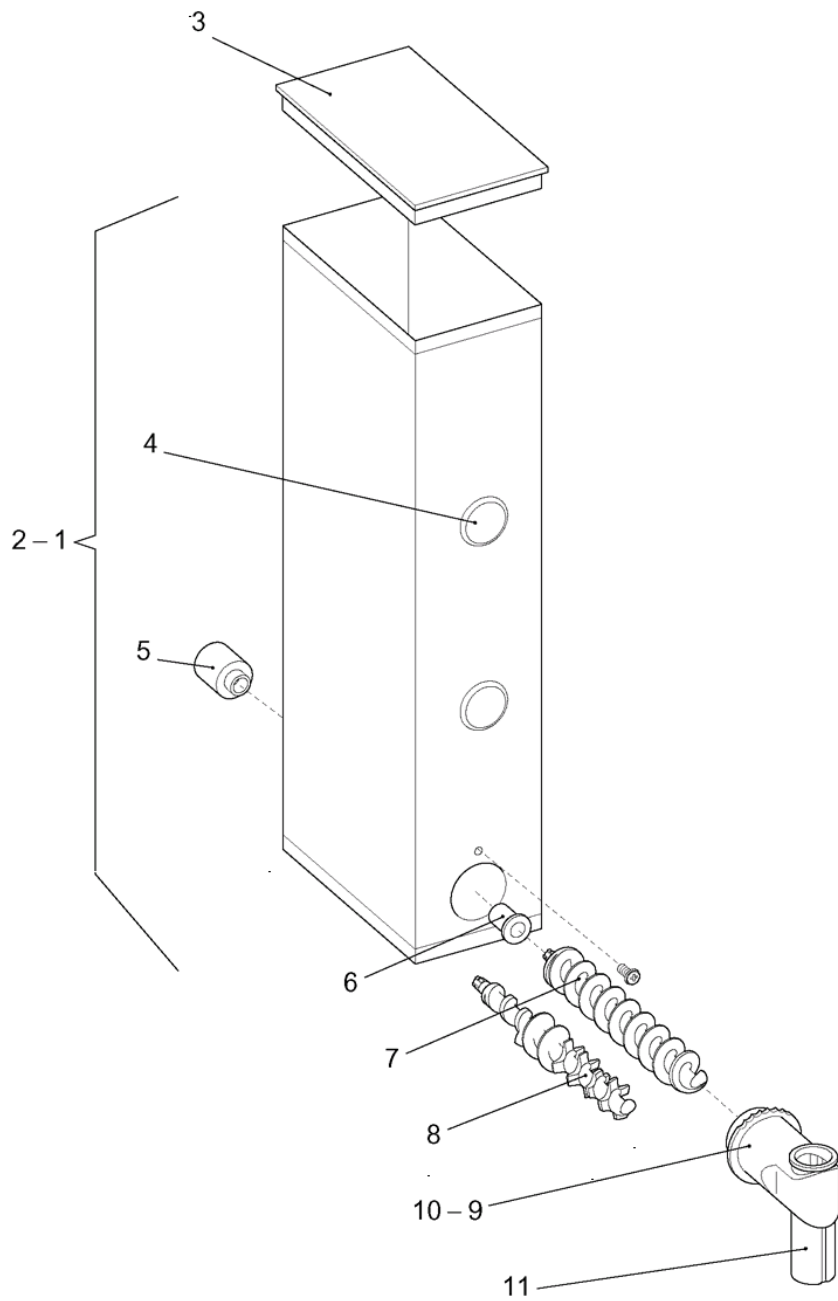
	Code	Description	Notes
1	75198600	FAN, MOUNTED	
2	41521600	WHIPPER MOTOR	
3	09084010	NUT M4	
4	09122010	TOOTHED WASHER	
5	30693500	RINSE PIPE, LONG	
6	30880100	RINSE PIPE, SHORT	
7	29223000	BUSHING	
8	39400302	BASE F WH. HOUSE W HOLE	
9	39400634	O-RING	
10	39400401	V-RING	
11	39442000	WHIPPER BLADE	
12	41529200	GEAR MOTOR	
13	39418900	PINION	
14	30875400	LOCK FOR INGREDIENT SHELF	
15	00001008	COLLAR SCREW M4 X 6	
16	39478803	FILTER, 55 X 20 X 225	
17	39649800	BOX F. EXHAUST	
18	35137500	CONNECTING SLEEVE	
19	39561600	GASKET	
20	35127800	FUNNEL EXTENSION	
21	35151101	MIXING FUNNEL, LARGE HOLE	
22	35127700	MIXING FUNNEL W. SMALL HOLE	
23	39582600	WHIPPER HOUSING 45 DEG. OUTLET	
24	39495700	SILICONE HOSE GREY	
25	39535100	CONNECTING LINK	
26	39470513	SILICONE HOSE	
27	39700100	OUTLET TUBE W/PIN LONG	
28	39476100	NYLON TUBE Ø3/Ø5	
29	39583400	REDUCING PLUG	



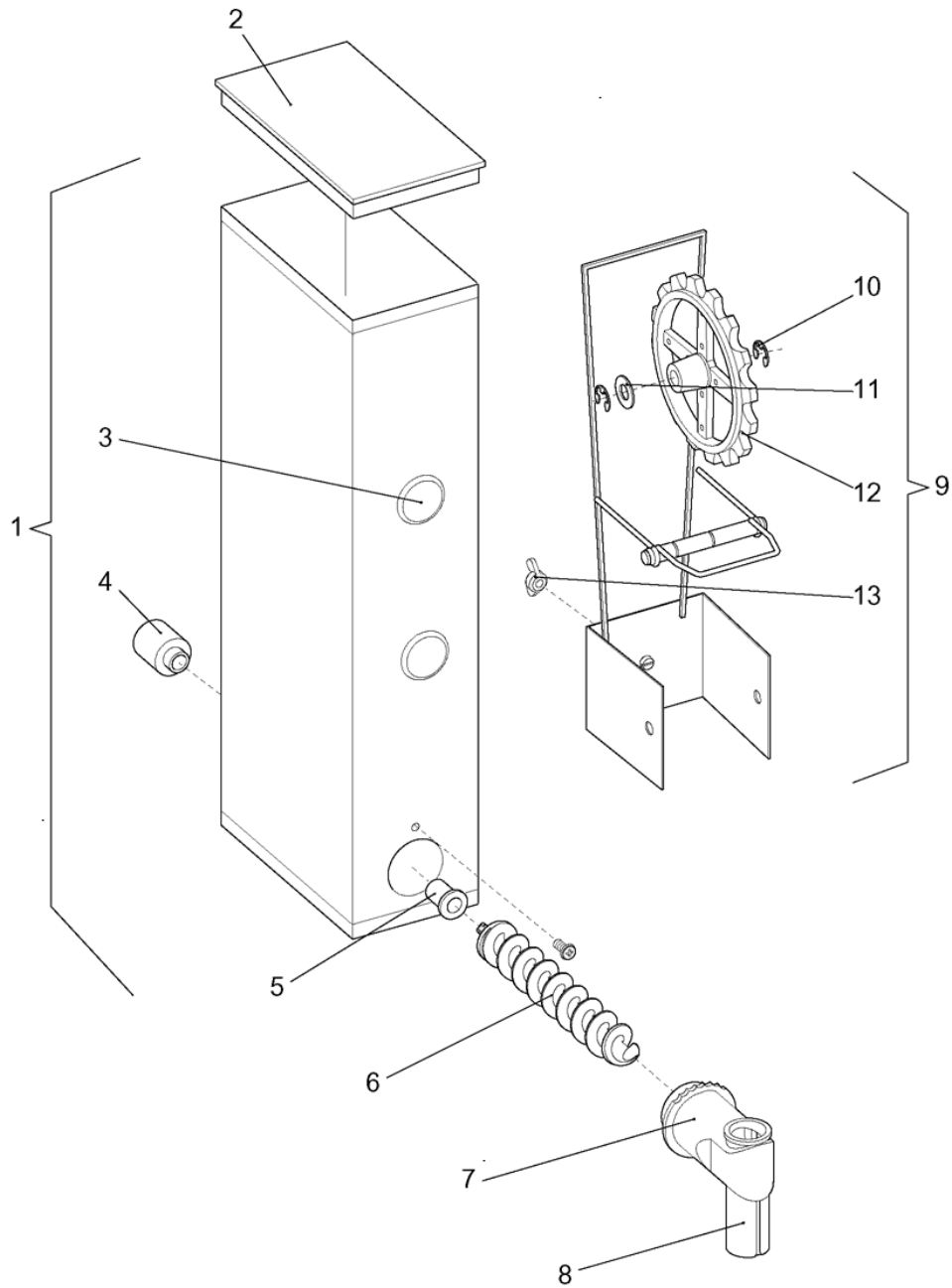
	Code	Description	Notes
1	41529200	GEAR MOTOR	
2	39418900	PINION	
3	39653700	EXTERIOR EXHAUST PIPE	
4	39478808	FILTER, 55 X 20 X 150	
5	39652300	BOX FOR EXHAUST, 2 WHIPPERS	
6	39561600	GASKET	
7	35127800	FUNNEL EXTENSION	
8	35151101	MIXING FUNNEL, LARGE HOLE	
9	35127700	MIXING FUNNEL W. SMALL HOLE	
10	39400302	BASE F WH. HOUSE W HOLE	
11	39400634	O-RING	
12	41414000	RELAY	
13	41521600	WHIPPER MOTOR	
14	09084010	NUT M4	
15	09116502	WASHER	
16	29223000	BUSHING	
17	35137500	CONNECTING SLEEVE	
18	39700200	OUTLET TUBE W/PIN SHORT	
19	39700500	HOLDER FOR OUTLET IN	
20	39400401	V-RING	
21	39442000	WHIPPER BLADE	
22	39652400	WHIPPER HOUSING W ANGLE OUTLET	
23	39495700	SILICONE HOSE GREY	
24	39414009	HOSE CLIP	
25	39405001	CONNECTING PIECE	



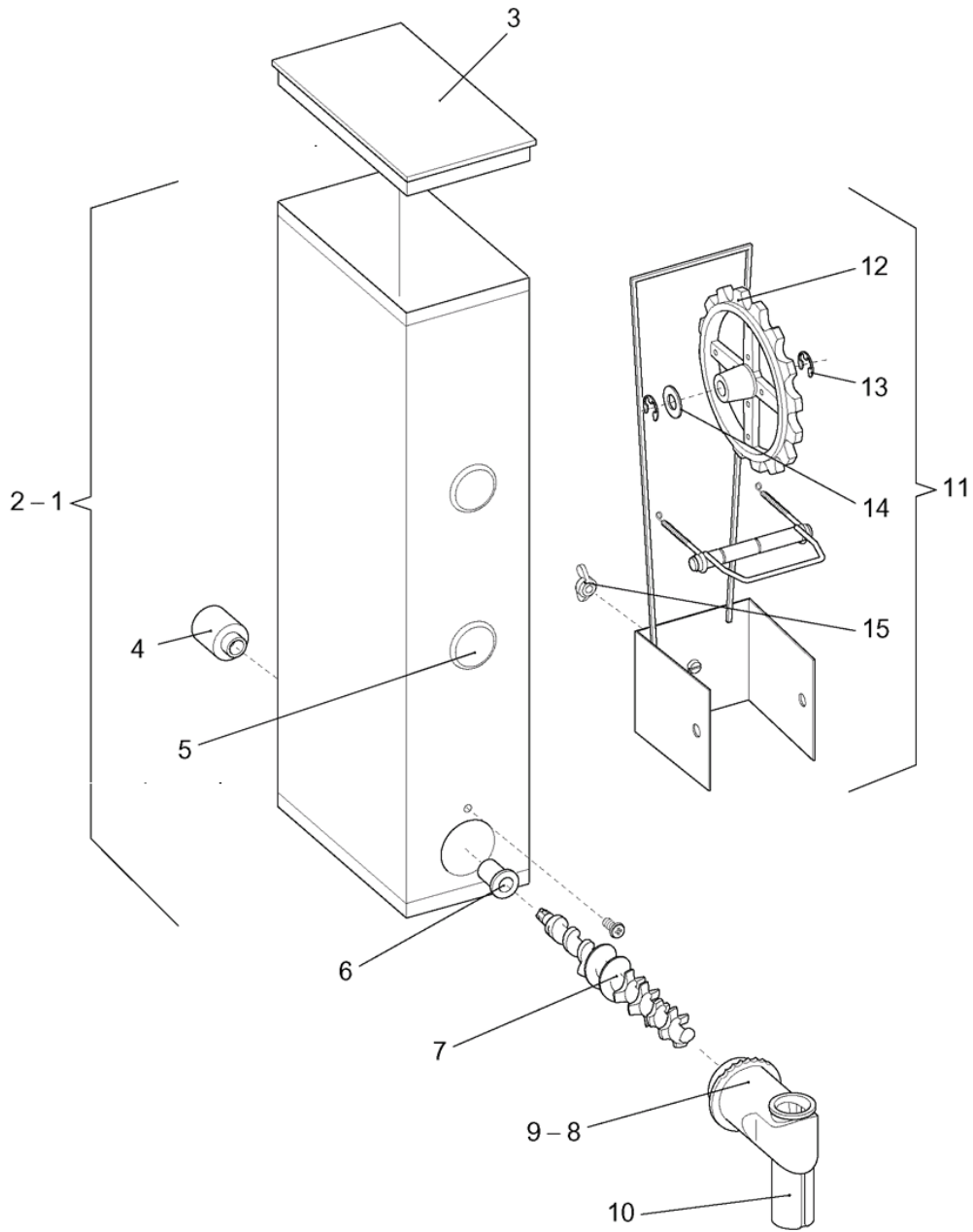
	Code	Description	Notes
1	30887600	INGREDIENT CANISTER BIG, MOUNT	
2	30878400	LID FOR INGR.CANISTER, BIG	
3	29595800	STIRRING EYE	
4	29609900	SPRING	
5	39252300	BRACE	
6	09109005	WING NUT	
7	09124306	RETAINING RING	
8	09121508	ALUMINIUM WASHER	
9	39519700	STIRRING WHEEL	
10	39553000	COUPLING	
11	39414700	SIGHT GLASS	
12	39446700	SLEEVE BUSHING	
13	39553800	AUGER, FULL	
14	39525201	OUTLET SPOUT, FULL	
15	39630200	OUTLET PIPE	



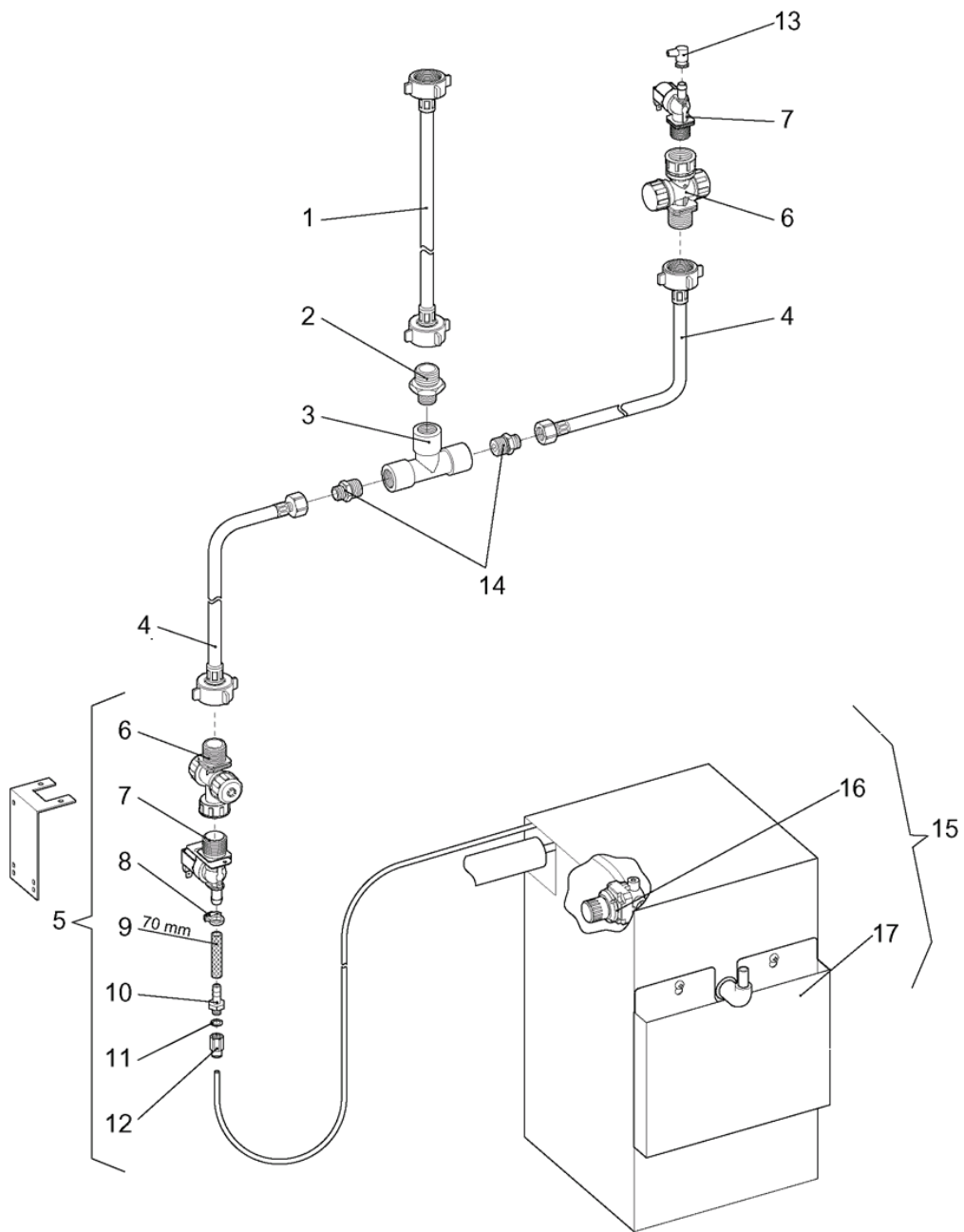
	Code	Description	Notes
1	30727200	INGR. CANISTER FULL, MOUNT.	
2	30737800	INGR. CANISTER REDUCED, MOUNT.	
3	31019600	LID FOR CANISTER	
4	39414700	SIGHT GLASS	
5	39553000	COUPLING	
6	39446700	SLEEVE BUSHING	
7	39553800	AUGER, FULL	
8	39552900	AUGER, REDUCED	
9	39525201	OUTLET SPOUT, FULL	
10	39525202	OUTLET SPOUT, REDUCED	
11	39630200	OUTLET PIPE	



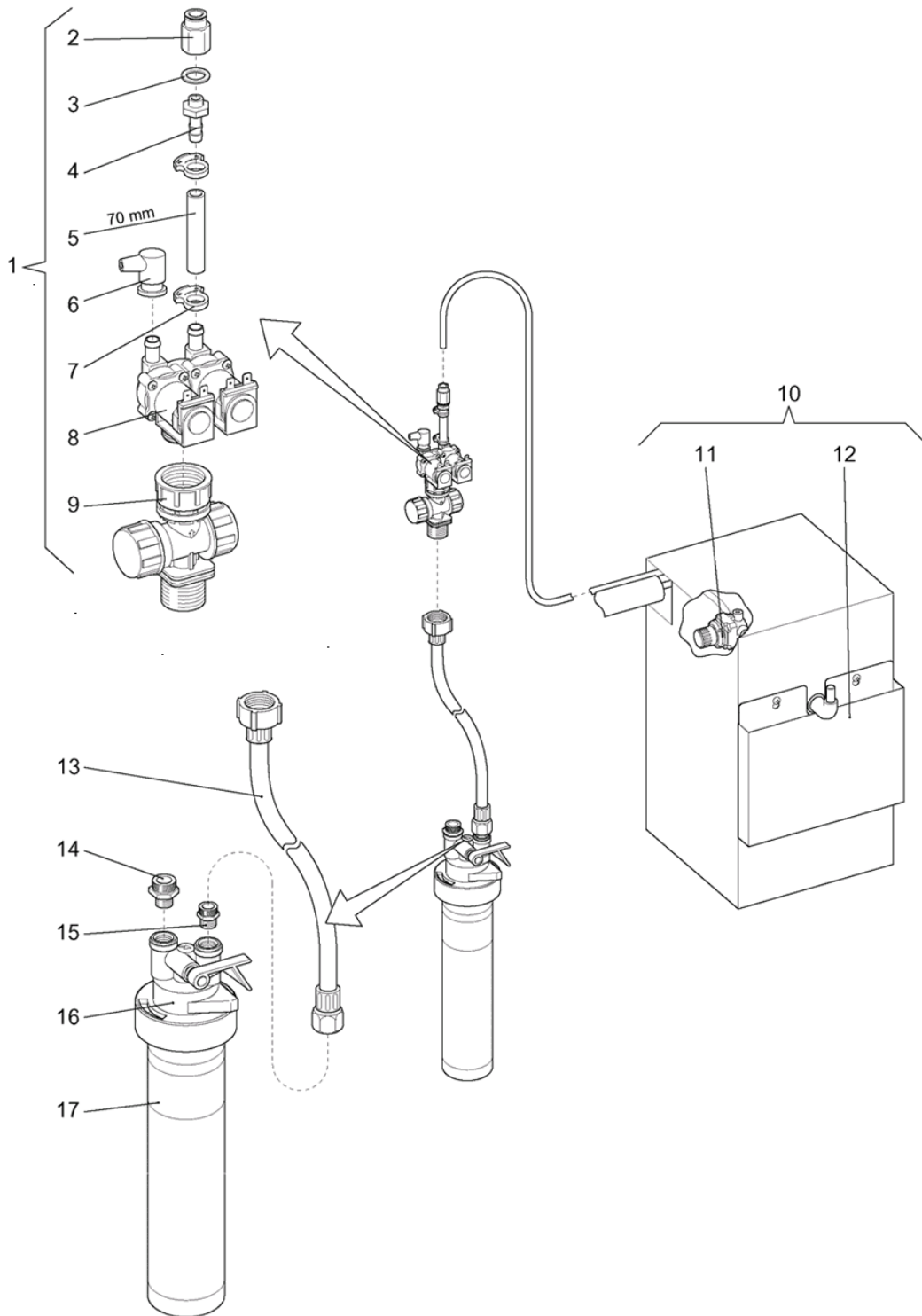
	Code	Description	Notes
1	30699100	INGR. CANISTER FULL, MOUNT.	
2	31019600	LID FOR CANISTER	
3	39414700	SIGHT GLASS	
4	39553000	COUPLING	
5	39446700	SLEEVE BUSHING	
6	39553800	AUGER, FULL	
7	39525201	OUTLET SPOUT, FULL	
8	39630200	OUTLET PIPE	
9	30897100	STIRRING WHEEL, MOUNT.	
10	09124306	RETAINING RING	
11	09121508	ALUMINIUM WASHER	
12	39519700	STIRRING WHEEL	
13	09109005	WING NUT	



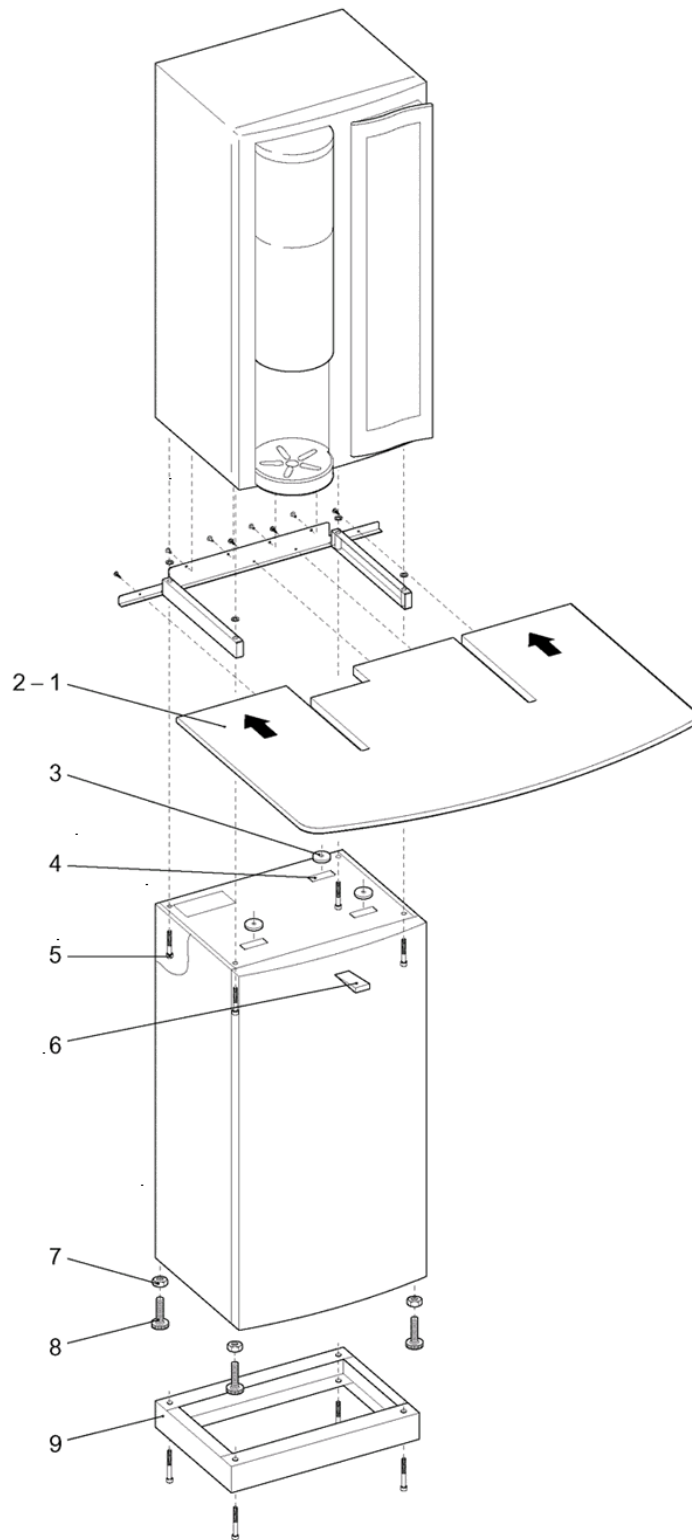
	Code	Description	Notes
1	30691100	INGR. CANISTER RED/FULL, MOUNT	
2	30699200	INGR. CANISTER REDUCED, MOUNT.	
3	31019600	LID FOR CANISTER	
4	39553000	COUPLING	
5	39414700	SIGHT GLASS	
6	39446700	SLEEVE BUSHING	
7	39552900	AUGER, REDUCED	
8	39525201	OUTLET SPOUT, FULL	
9	39525202	OUTLET SPOUT, REDUCED	
10	39630200	OUTLET PIPE	
11	30896900	STIRRING WHEEL, MOUNT.	
12	39519700	STIRRING WHEEL	
13	09124306	RETAINING RING	
14	09121508	ALUMINIUM WASHER	
15	09109005	WING NUT	



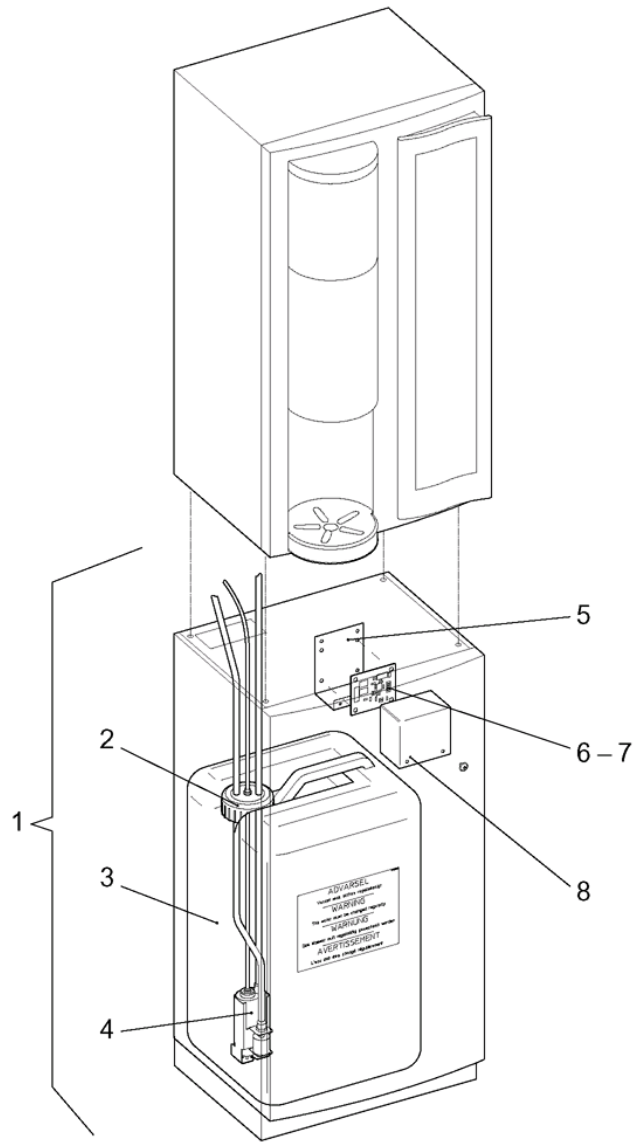
	Code	Description	Notes
1	35092000	CONNECTING HOSE WIRSBO 3/4"	
2	39309700	COLLAR NIPPLE 3/8" - 3/4"	
3	39304905	T-PIECE 3 X 3/8" INT.	
4	30773402	CONNECTING HOSE 3/4 - 1/4	
5	30892800	INLET VALVE, KOMPL.	
6	39269000	WATER FILTER	
7	41533500	INLET VALVE 24V DC	
8	39414014	HOSE CLIP Ø15/Ø16,8	
9	39309600	REINFORCED HOSE	
10	39309302	HOSE CONNECTION 12 X 1/8"	
11	39309501	GASKET NYLON	
12	39378705	CONNECTING PIECE	
13	35003400	ELBOW FLANGE	
14	39300602	COLLAR NIPPLE 3/8" - 1/4"	
15	75192000	COLD UNIT, MOUNT. 5100	
16	30780200	REDUCTION VALVE ASS. 5100	
17	30849600	WASTE BUCKET F COLD UNIT	



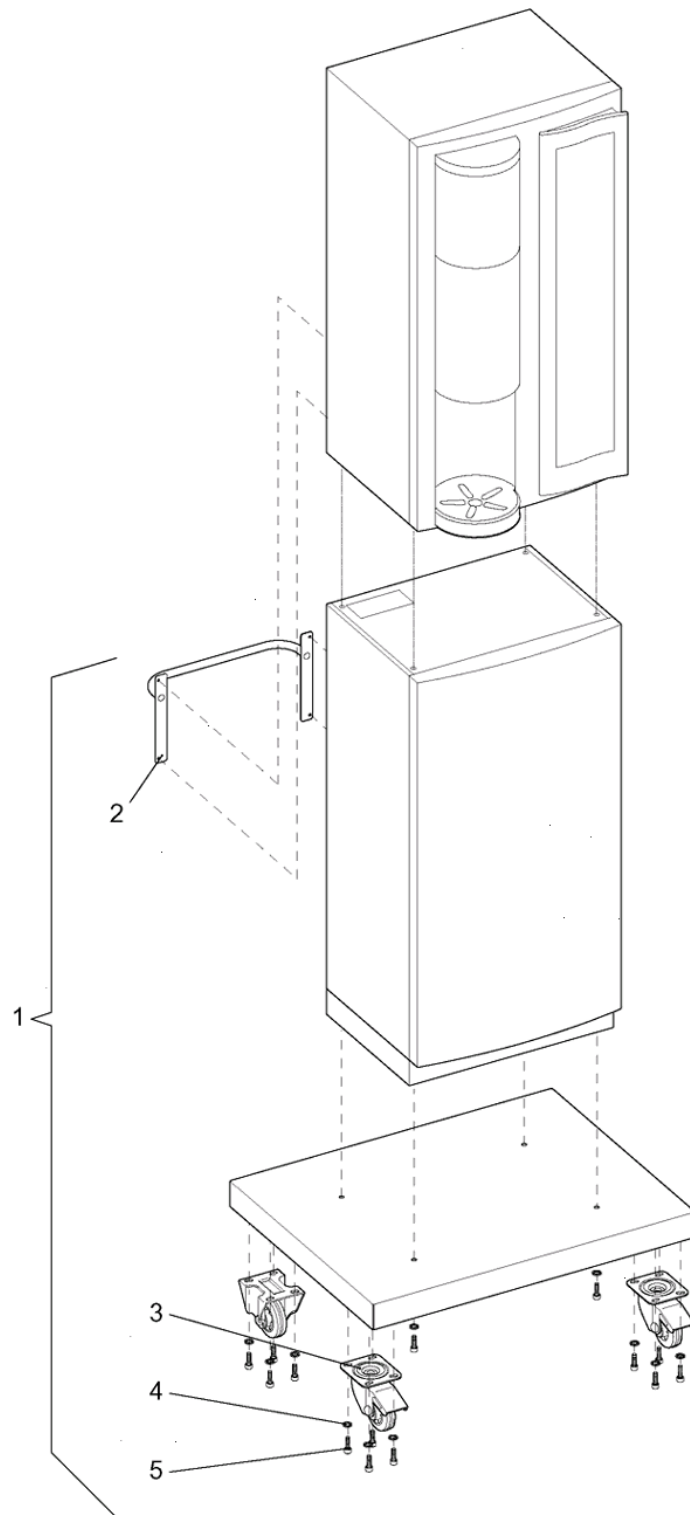
	Code	Description	Notes
1	30780400	DOUBLE INLET VALVE COMPL.	
2	39378705	CONNECTING PIECE	
3	39309501	GASKET NYLON	
4	39309302	HOSE CONNECTION 12 X 1/8"	
5	39309600	REINFORCED HOSE	
6	35003400	ELBOW FLANGE	
7	39414014	HOSE CLIP Ø15/Ø16,8	
8	41530100	DOUBLE INLET VALVE	
9	39269000	WATER FILTER	
10	75192000	COLD UNIT, MOUNT. 5100	
11	30780200	REDUCTION VALVE ASS. 5100	
12	30849600	WASTE BUCKET F COLD UNIT	
13	30773402	CONNECTING HOSE 3/4 - 1/4	
14	39309700	COLLAR NIPPLE 3/8" - 3/4"	
15	39370602	"COLLAR NIPPLE 3/8" - 1/4""	
16	39207902	COVER FOR FILTER	
17	39207903	FILTER CARTRIDGE	



	Code	Description	Notes
1	39270401	TABLE ARRANGEMENT MAHOGANY	
2	39270402	TABLE ARRANGEMENT BIRCH, 5100	
3	30759000	WASHER FOR TABLETOP	
4	39486400	DOUBLE TAPE	
5	09068041	CHEESE HEAD SCREW M8X55	
6	72115500	WOODEN KEY	
7	09083240	NUT 8MG	
8	39277000	LEVELLER M8X30	
9	40122300	KIT BASE 5100	



	Code	Description	Notes
1	75196200	WATER CANISTER KIT 5100	
2	35103700	SCREW RING	
3	39574500	WATER CANISTER 25L	
4	35103200	PUMP UNIT	
5	30836100	SUSPENSION F WATERPUMP DRIVER	
6	47123600	WATER PUMP DRIVER F FB5100	
7	41005802	FIXTURE F CIRCUIT BOARD	
8	30836200	COVER F WATER PUMP DRIVER	



	Code	Description	Notes
1	75196300	TROLLEY KIT	
2	35125300	HANDLE FOR CABINET	
3	39651702	TRANSPORT WHEEL, PIVOTABLE	
4	09122608	TOOTHED WASHER	
5	09068039	SCREW UNBRACO M8X25	