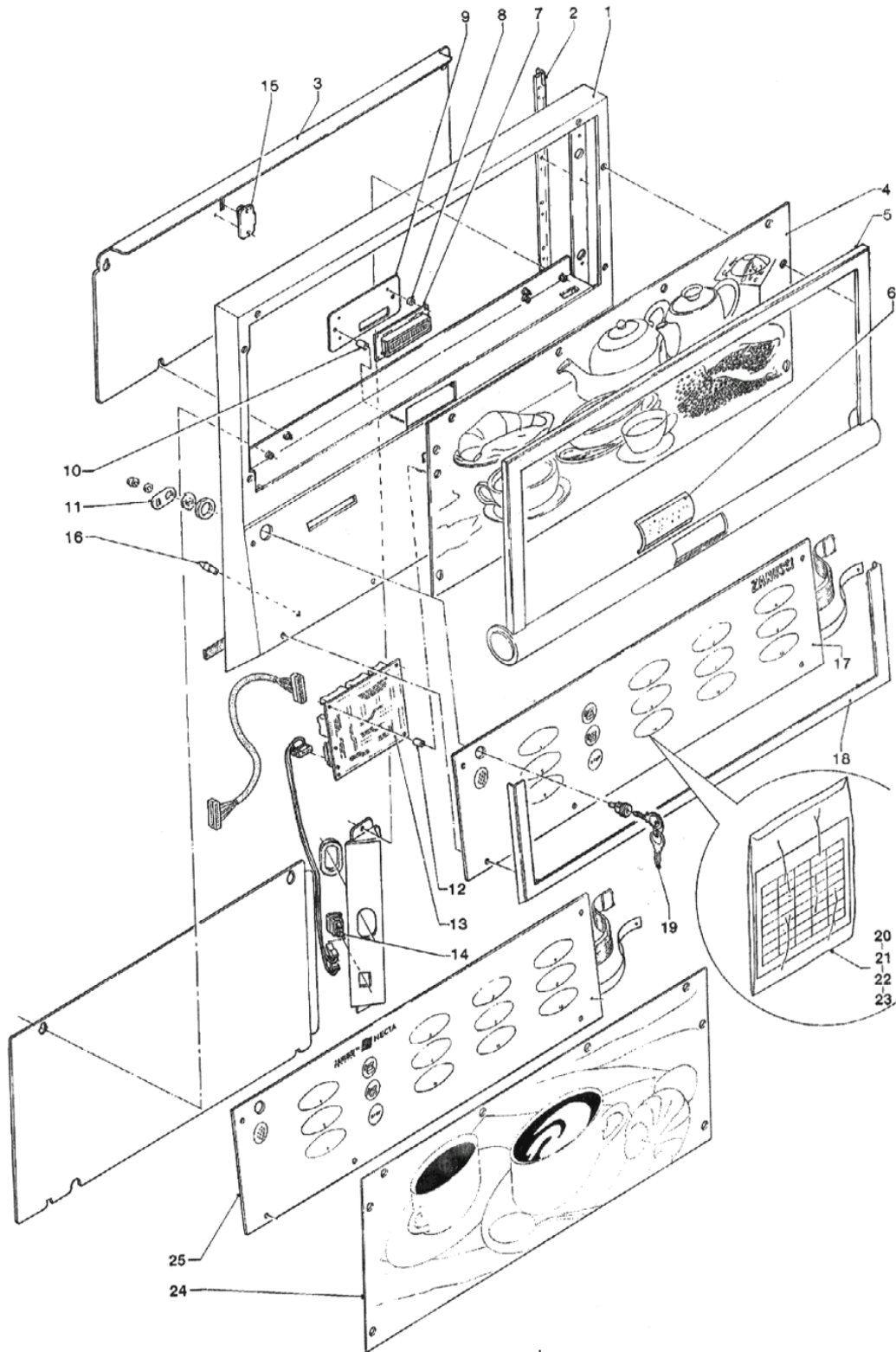


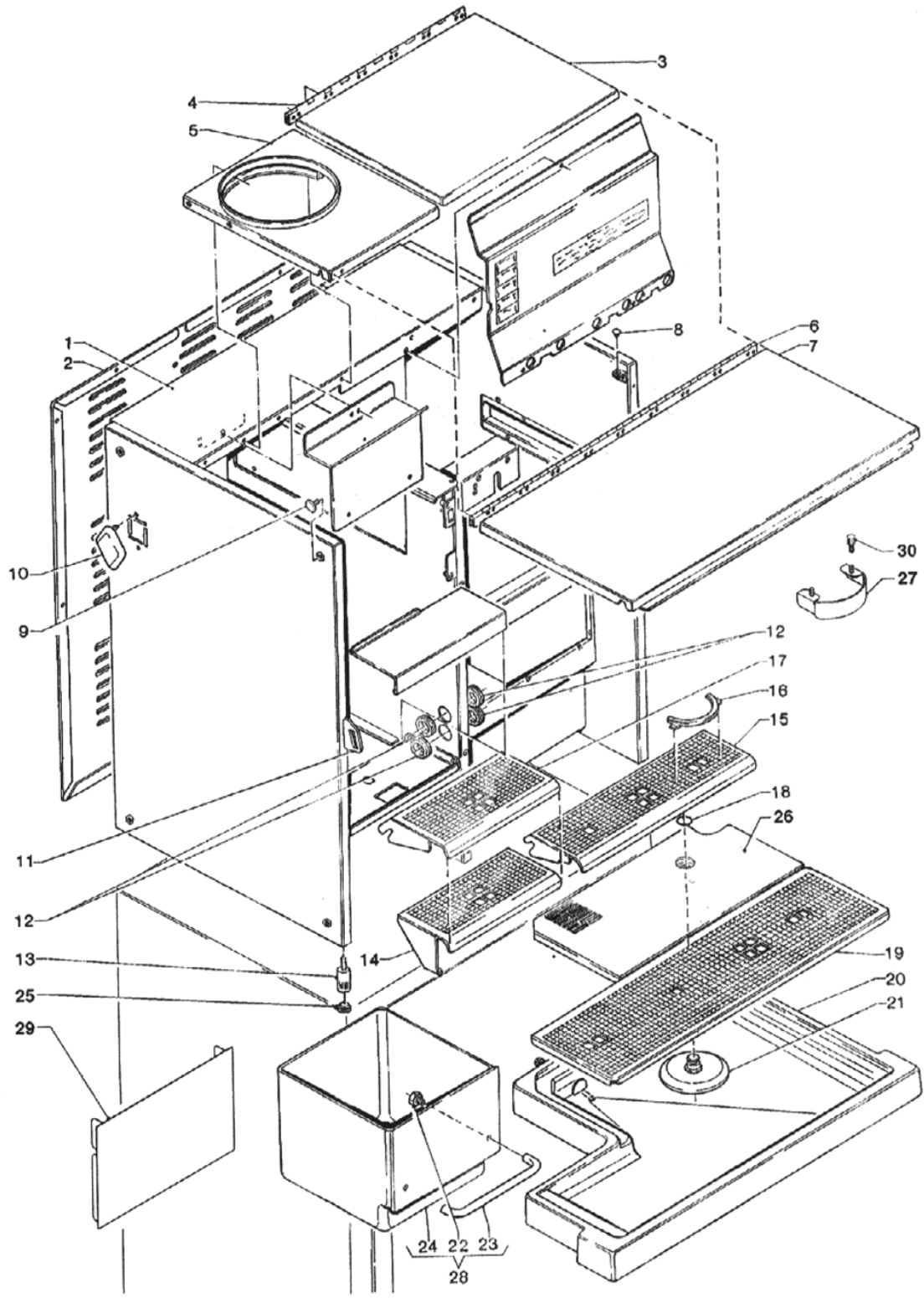
## GRAN MATTINO C-I





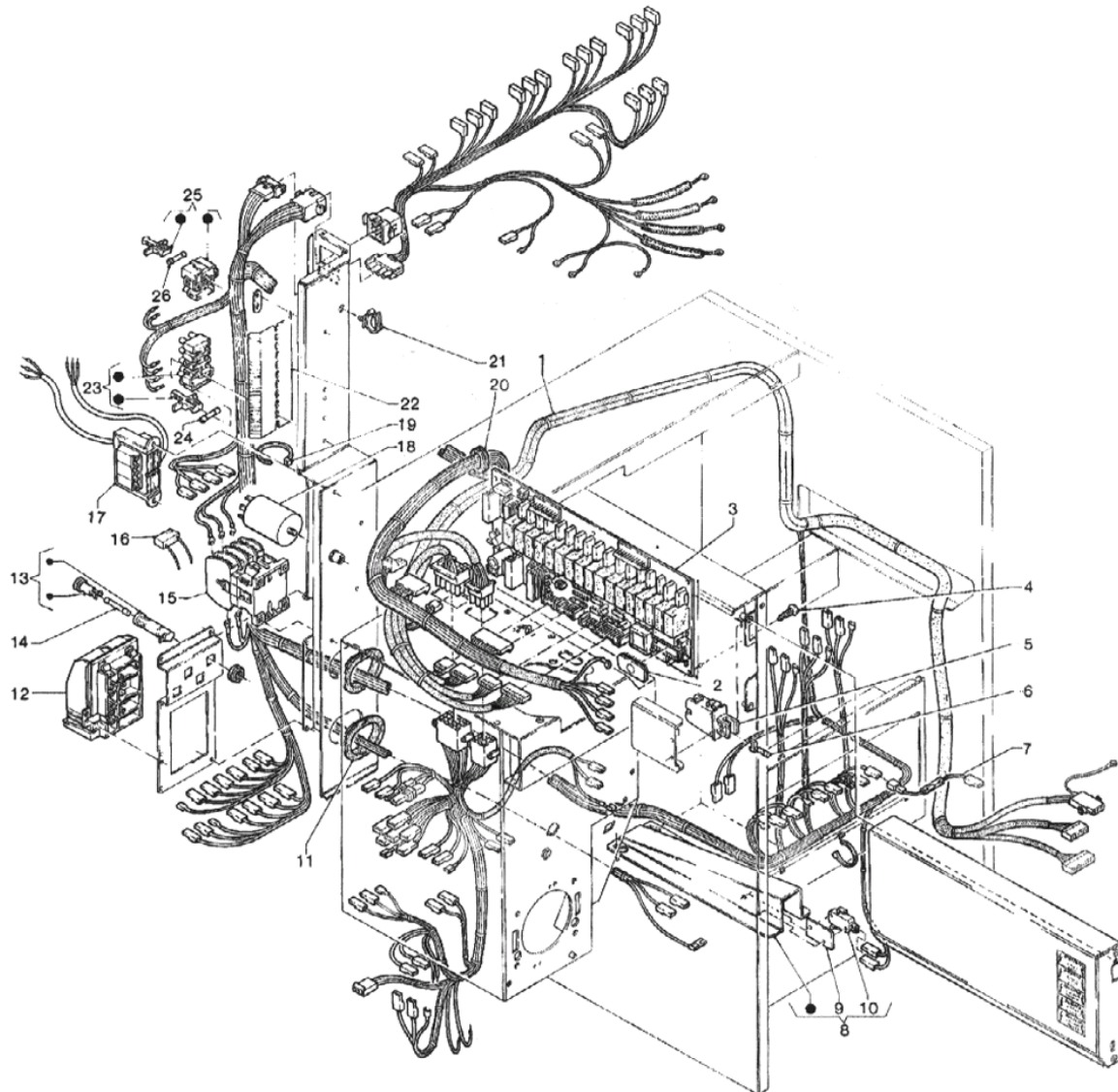
---

	<b>Code</b>	<b>Description</b>	<b>Notes</b>
1	0V1150	DOOR	
2	099864	HINGE	
3	0V1436	ADVERTISING SPACE COVERING	
4	0V1131	PHOTOGRAPHIC PANEL	ITALY ONLY
5	0V3611	UPPER FRAME GREY	
6	099861	DISPLAY GLASS	
7	251656	DISPLAY 1X16 BLUE	
8	093830	MICRO SPACER	
9	099638	PLATE	
10	095964	LED CARD SPACER	
11	098551	BOLT	
12	096713	CARD SPACER	
13	099865	INTERFACE CARD	
14	098214	SWITCH	
15	0V1437	MICROSWITCH ACTUATOR	
16	097859	CENTERING PIVOT MIXER SUPP.	
17	0V1132	PUSH-BUTTON PANEL INTERFACE	ITALY ONLY
18	0V3610	LOWER FRAME GREY	
19	099905	LOCK RIELDA	
20	0V3733	PRODUCT LABELS FRANCE -RY-	FRENCH VERSION
21	099927	PRODUCTS PLATES (I)	ITALY ONLY
22	0V3736	PRODUCT PLATE SPAIN -RY-	SPANISH VERSION
23	099871	NAMEPLATE SUPPORT	
24	0V3735	PHOTOGRAPHIC PANEL - RY-	
25	0V3734	PUSH-BUTTON PANEL INTERFACE -RY-	



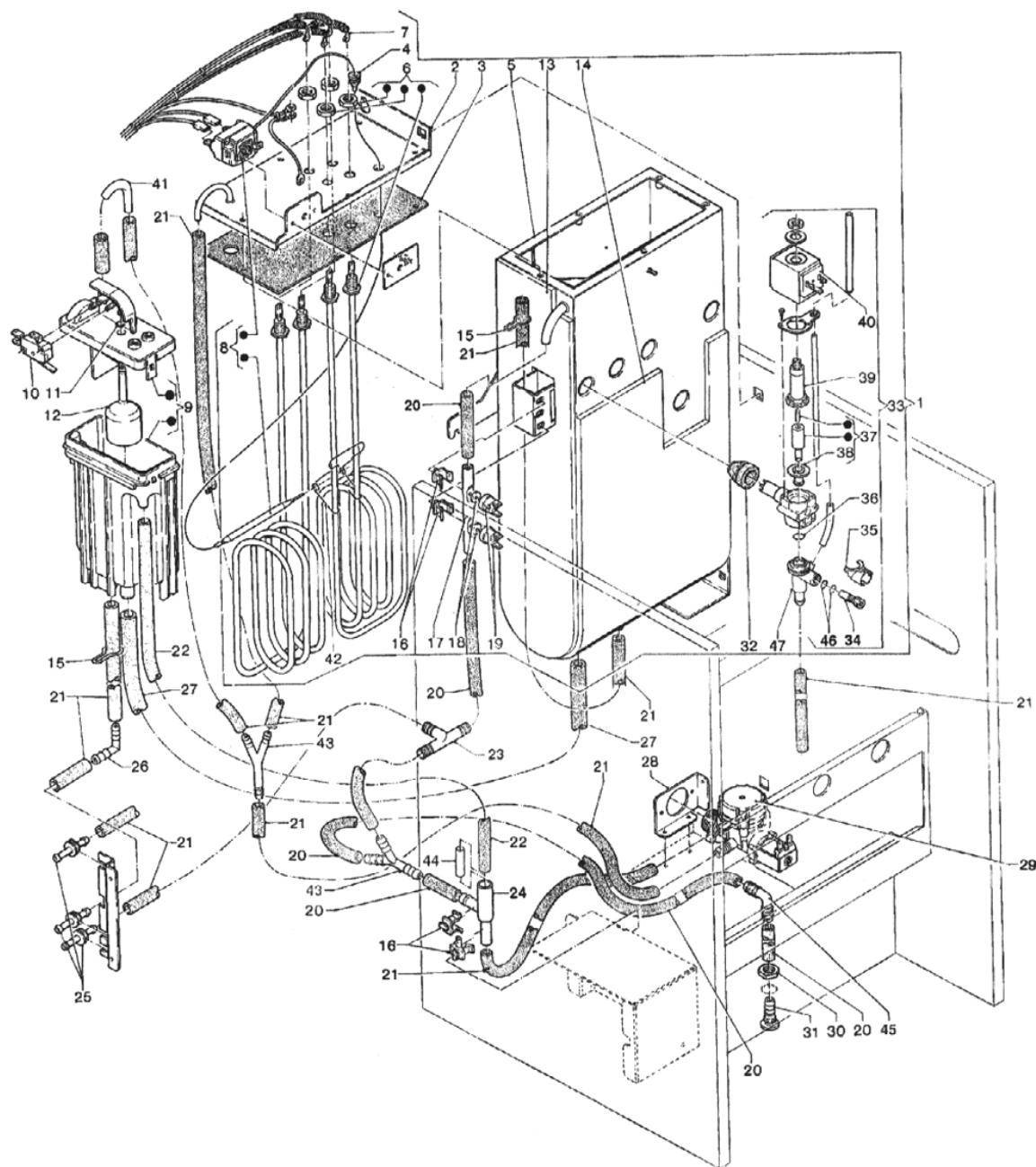
---

	<b>Code</b>	<b>Description</b>	<b>Notes</b>
1	0V1153	CABINET	
2	0V1118	REAR COVER	
3	0V1435	MACHINE TOP	ESPRESSO VERSION
4	0V1145	MACHINE TOP HINGE	ESPRESSO VERSION
5	0V1117	COFFEE CONTAINER TOP	
6	0V1406	HINGE	INSTANT VERSION
7	0V1438	'INSTANT' MACHINE TOP	INSTANT VERSION
8	098759	RUBBER BUFFER	
9	099727	STOPPER	
10	097886	STOPPER	
11	0V0379	LATCH BOLT PLATE	
12	090020	WHIPPING MM 16	
13	0V0430	LEVELLING FOOT	
14	0V1277	CUP LIFTER	ESPRESSO VERSION
15	0V1120	CUP LIFT	
16	0V1130	CUP STOP	
17	0V1277	CUP LIFTER	INSTANT VERSION
18	095624	GASKET O-RING 116 EP851	
19	0V1119	TRAY GRATE	
20	0V3003	LIQUID TRAY	
21	0V1751	TRAY FLOAT	
22	0V1122	HANDLE STOP	
23	0V1741	TRAY HANDLE	
24	0V1740	TRAY	
25	099838	STOPPER	
26	0V2748	FLOAT SUPPORT	
27	0V3612	CUP POSITIONING GUIDE	
28	0V2803	TRAY ASSEMBLY	
29	0V3606	DISPENSING OPENING COVER	
30	097699	KNURL M4	



---

	<b>Code</b>	<b>Description</b>	<b>Notes</b>
1	0V1138	MAIN WIRING	
2	099982	1024K-EPROM (TO BE PROGRAMMED	
3	0V1858	PLUS (SMT) CONTROL BOARD	
4	097175	CARD SPACER	
5	097796	SWITCH	
6	0V1654	SWITCH KEY	
7	0V0719	DIODE	
8	0V1134	LIQUID WASTE MICRO CONTROL	
9	090681	INSULATING DISK	
10	0V1930	MICROSWITCH 'UL'	
11	093916	WHIPPING OVAL	
12	0V0878	TERMINAL BOARD	
13	098794	FUSE-HOLDER	
14	095636	FUSE 15 A	
15	094024	REMOTE CONTROL SWITCH	
16	096845	FILTER RC 1000HM 0,1MF	
17	098792	TRANSFORMER	
18	0V3512	NET FILTER	
19	090148	CLIP	
20	093312	WHIPPING DIAM MM 12 ART 46	
21	098459	WIRE-CLIP	
22	097242	SUB-TERMINAL BOARD	
23	098793	TERMINAL BOARD WITH FUSE-HOLDER	
24	097544	FUSE 125 MA DELAYED ACTION	
25	097241	3-POLE TERMINAL BOARD W/CARRIER	
26	097103	FUSE 1,25A 5X20 DELAYED ACTION	

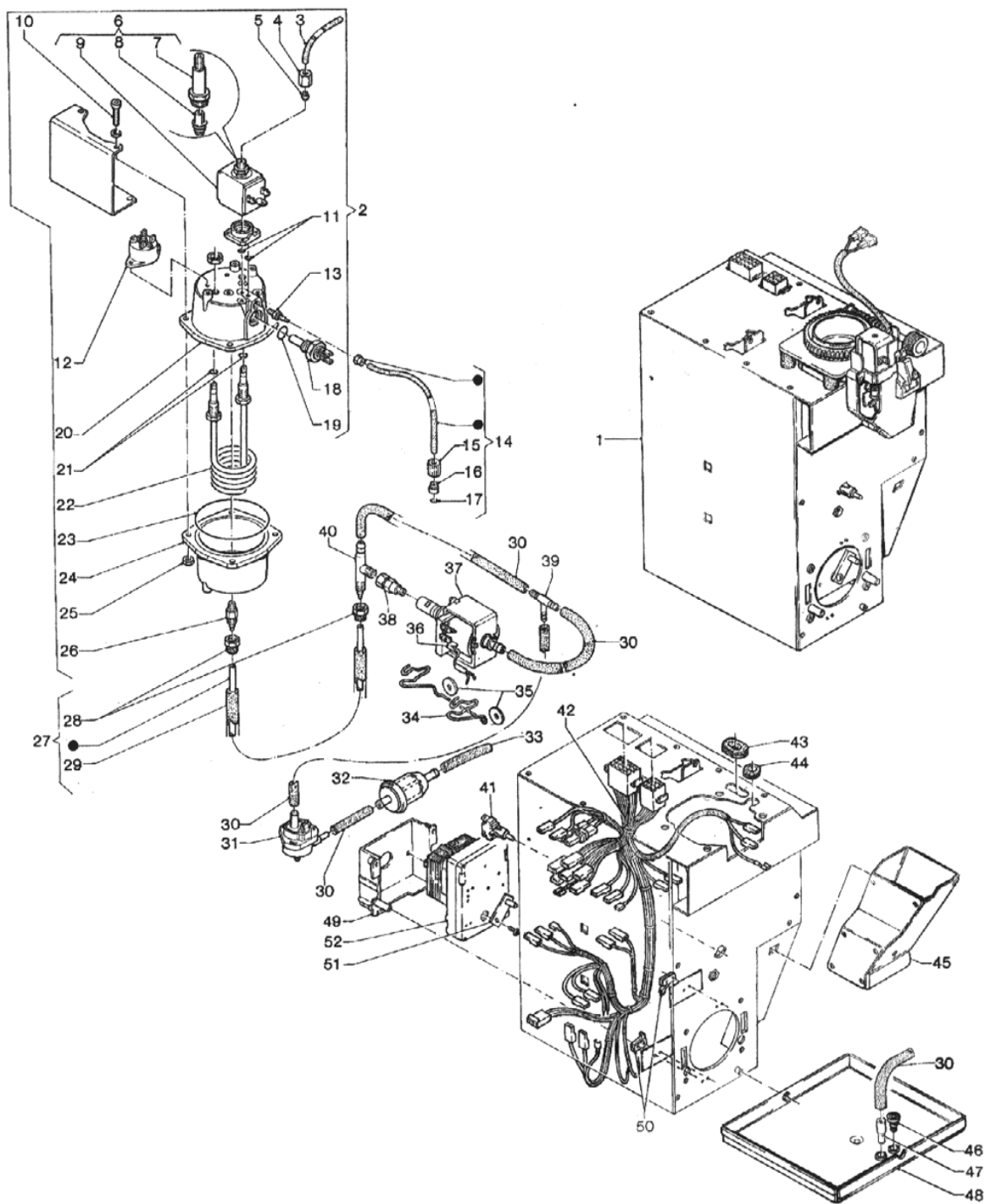




---

	<b>Code</b>	<b>Description</b>	<b>Notes</b>
1	0V1137	INSTANT DRINK BOILER ASSEMBLY	
2	0V1152	BOILER COVER	
3	0V1125	BOILER COVER SEAL	
4	099844	GASKET	
5	0V1151	BOILER CASE	
6	099843	HEATING-ELEMENT	
7	0V1140	INSTANT DRINK BOILER WIRING	
8	092428	THERMOSTAT ADJUSTABLE	
9	0V1133	AIR-BREAK ASSEMBLY	
10	0V1141	MICROSWITCH	
11	090421	GASKET	
12	0V1126	AIR-BREAK FLOAT	
13	0V1276	BOILER SIDE INSULATION	
14	0V1275	BOILER INSULATION	
15	092703	TUBE CLAMP	
16	098484	HOSE FIXING	
17	099458	TUBE FOR 2 THERMOSTAT	
18	094597	COPPER WASHER	
19	0V2129	THERMOSTAT 82 C	
20	097685	SILICONE HOSE BROWN 7,5X12	
21	097512	SILICONE HOSE 6X12 BROWN	
22	097513	SILICONE HOSE 9X13 BROWN	
23	096552	UNION T-SHAPE	
24	094185	CODENSE RECOVERY UNION	
25	0V1127	PIPE CONNECTION	
26	095576	UNION L-SHAPE	
27	097515	SILICONE HOSE 10X16 BROWN	
28	099436	ELECTROVALVE SUPPORT	
29	097381	ELECTROVALVE WATER-INLET 220V	
30	092652	LOCK NUT 1/4 REV	
31	094910	RUBBER HOLDER MIXER BASIN	
32	099847	GASKET	
33	099846	ELECTROVALVE	
34	0V3555	ADJUSTING-SCREW + O-RING	
35	0V3556	LOWER BODY STOP	
36	0V3554	GASKET O-RING	
37	0V3550	ELECTROVALVE NUCLEUS	
38	0V3551	MEMBRANE-GASKET	
39	0V3552	VALVE BUSH	
40	099057	ELECTROV.-COIL 220/230 VOLT	
41	0V1749	WATER/AIR-BREAK CONNECTION	
42	094150	THERMOSTAT BLUB FASTENING SPRING	
43	095513	UNION Y-SHAPE	
44	0V1980	CONDENSATE COLLECTION FITTING REDUCTION	
45	094571	UNION 90 DEGREES	
46	099064	ADJUSTING-SCREW-GASKET	

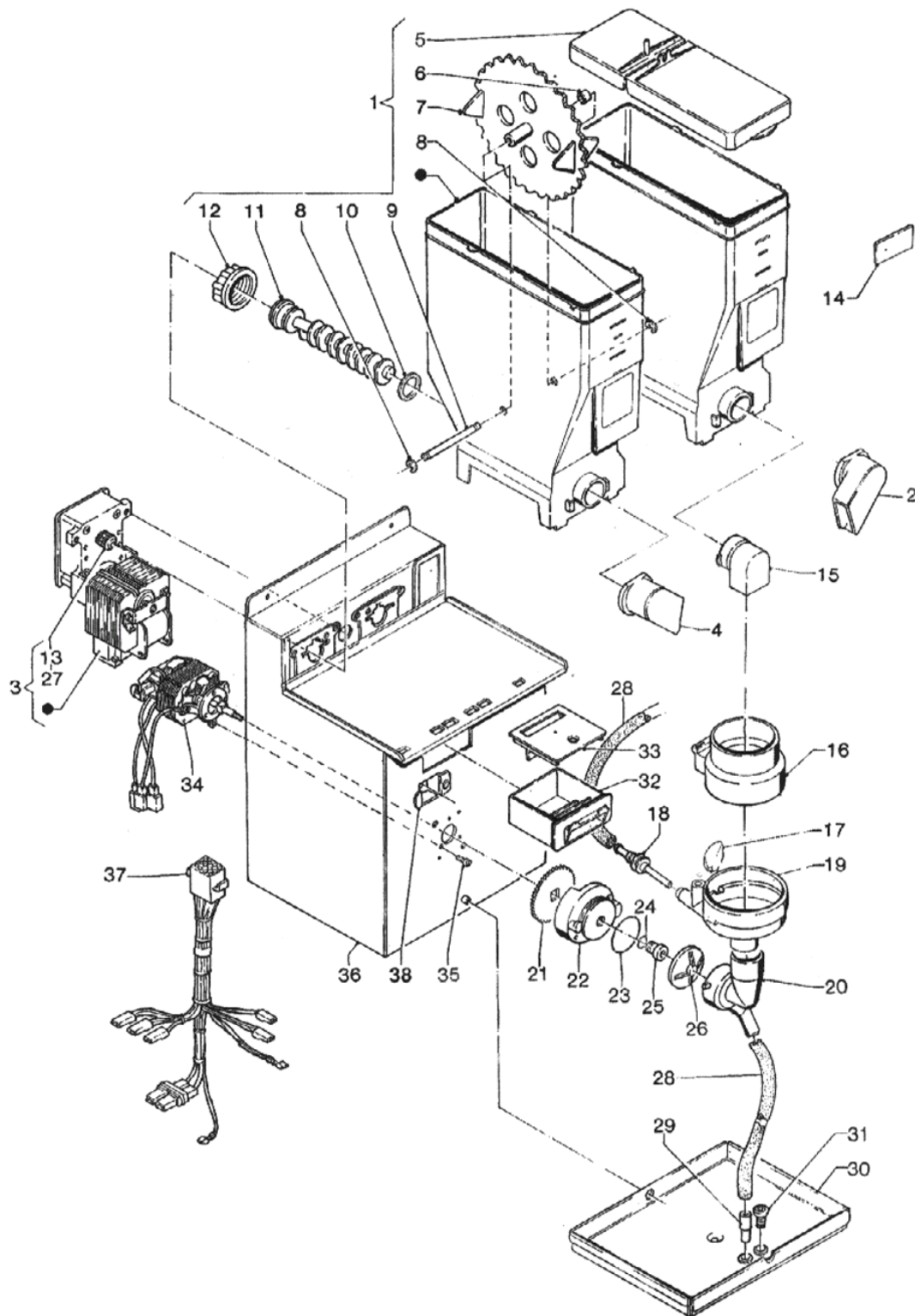
	<b>Code</b>	<b>Description</b>	<b>Notes</b>
47	0V3553	LOWER ELECTRICVALVE BODY	



---

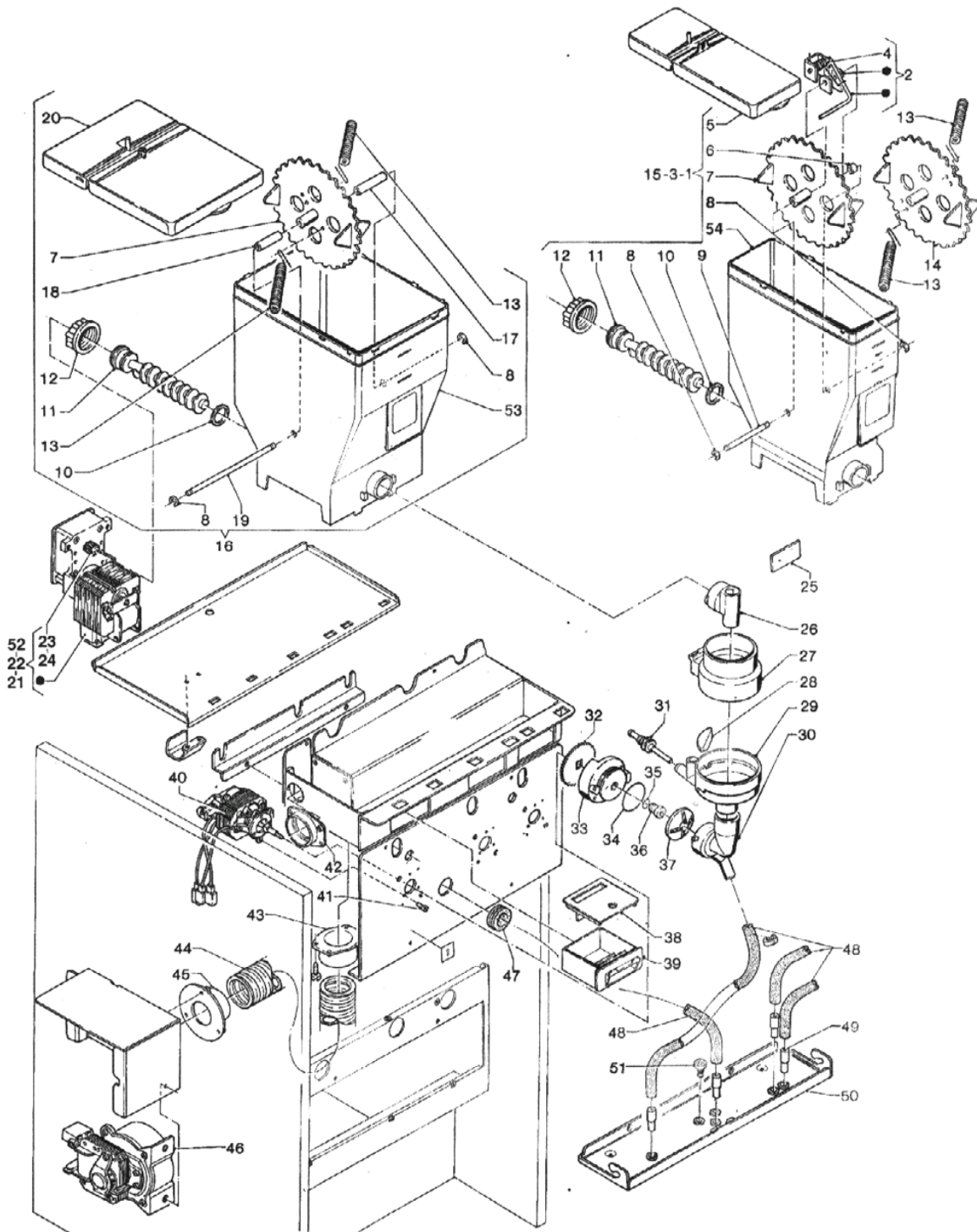
	<b>Code</b>	<b>Description</b>	<b>Notes</b>
1	0V1135	COFFEE BRACKET ASSEMBLY	
2	0V1136	COFFEE BOILER ASSEMBLY 600 CC.	
3	092068	TEFLON PIPE DIAM MM 2X4	
4	093636	TIGHTENING NUT ELECTR. DE-AERATION	
5	093635	TIGHTENING RING ELECTRICAL DE-AERAT	
6	097470	3-WAY ELECTROVALVE 220V	
7	250016	3-WAY ELECTROVALVE PIPE	
8	250348	3-WAY ELECTROVALVE NUCLEUS- RUBY-	
9	099057	ELECTROV.-COIL 220/230 VOLT	
10	096194	SCREW M6X25	
11	090421	GASKET	
12	096176	BIPOLAR THERMOSTAT 125 GRADES	
13	0V1434	STRAIGHT UNION	
14	0V1148	PISTON TUBE	
15	098699	UNION FOR PISTON PIPE	
16	098711	BUSH PISTON PIPE	
17	094611	GASKET O-RING	
18	094872	BOILER TEMPERATURE PROBE	
19	095624	GASKET O-RING 116 EP851	
20	099747	UPPER BOILER-COVER	
21	092140	GASKET O-RING 112	
22	099653	HEATING ELEMENT 1450 W	
23	099748	GASKET	
24	099746	LOWER BOILER-COVER	
25	985318	NUT	
26	098758	STRAIGHT UNION	
27	099398	PUMP ACTIVATING TUBE	
28	099107	NUT	
29	097685	SILICONE HOSE BROWN 7,5X12	
30	097510	SILICONE HOSE 5X9 BROWN	
31	098707	VOLUMETRIC COUNTER	
32	097435	WATER FILTER VOLUMETRIC COUNTER	
33	097512	SILICONE HOSE 6X12 BROWN	
34	0V2510	POMPE SUPPORT	
35	093091	PUMP DAMPER	
36	098815	90 DEGREES THERMIC PROTECTION	
37	098760	PUMP (VIBRATION)	
38	099101	NO-RETURN VALVE	
39	094231	UNION T-SHAPE	
40	098764	BY-PASS PUMP	
41	097898	UNIPOLAR BUTTON	
42	0V1139	COFFEE BRACKET WIRING	
43	093312	WHIPPING DIAM MM 12 ART 46	
44	090020	WHIPPING MM 16	
45	0V1144	DOSE CHUTE	
46	099838	STOPPER	

	<b>Code</b>	<b>Description</b>	<b>Notes</b>
47	0V3386	DISPENSING SPOUT	
48	0V1146	EXPRESS SPOUT SUPPORT	
49	098566	MOTOREDUCER SUPPORT	
50	096355	MICRO SWITCH	
51	098763	CRANK WITH PIN	
52	098708	MOTOREDUCER	



---

	<b>Code</b>	<b>Description</b>	<b>Notes</b>
1	099335	POWDERS CANISTER LONG SCROLL	
2	0V0179	LEFT CONVEYOR	
3	099856	MOTOREDUCER	
4	0V1403	RIGHT POWDER FEEDER	
5	099466	LID FOR CONTAINER	
6	098812	SPACER	
7	095936	WHEEL	
8	091959	BENZING COLLAR DIAM MM4	
9	098810	PIN FOR WHEEL	
10	095829	GASKET O-RING	
11	098608	LONG SCROLL	
12	095849	CONTAINER RING NUT	
13	099882	PINION (FOR SMALL SHAFT)	FOR SMALL SHAFT
14	097502	NAMEPLATE GROUP CONTAINER INSTANT P	
15	096868	POWDER FUNNEL	
16	097520	POWDER INLET FUNNEL BROWN	
17	096926	WATER FUNNEL DEFLECTOR	
18	099931	NOZZLE D.5	
19	0V0180	WATER FUNNEL F.B.	
20	097912	CONVEYOR FOR MIXER	
21	099889	DISK	
22	097911	FLANGE FOR MIXER	
23	094540	GASKET O-RING 3125	
24	099880	GASKET	
25	097917	BUSH SEAL	
26	0V1129	MIXER WHEEL	
27	0V0943	PINION (FOR MAIN SHAFT)	FOR LARGE SHAFT
28	097512	SILICONE HOSE 6X12 BROWN	
29	099837	NOZZLE	
30	0V1405	SPOUT SUPPORT	
31	099838	STOPPER	
32	099330	POWDERS DRAWER	
33	099331	DRAWER LID	
34	098808	MOTORMIXER	
35	099773	SCREW	
36	0V1407	BRACKET	
37	0V1404	INSTANT BOILER WIRING	
38	0V1885	NOZZLE SUPPORT	

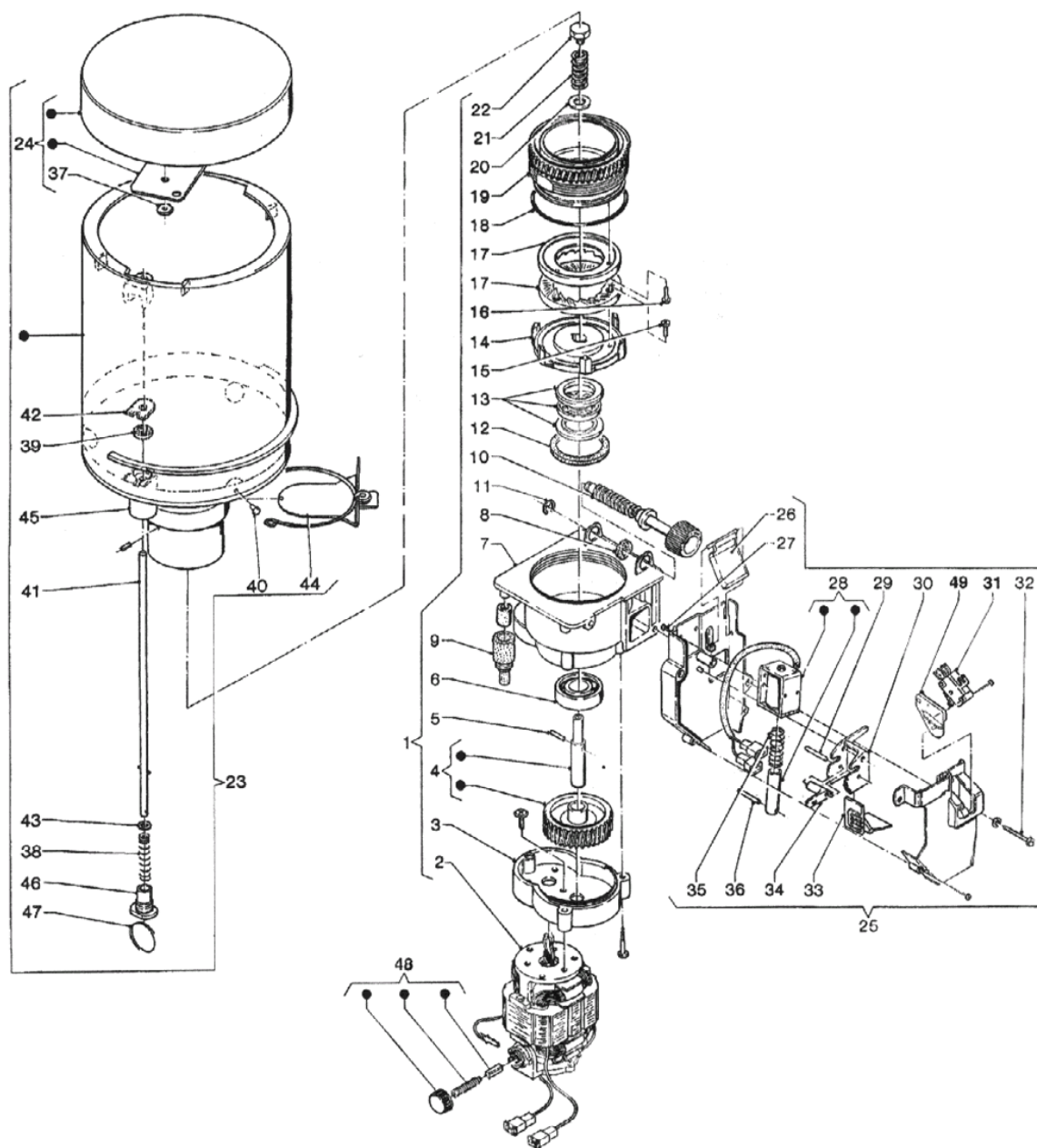




	<b>Code</b>	<b>Description</b>	<b>Notes</b>
1	099857	CONTAINER COMPLET WITH BEATER	FOR CHOCOLATE
2	099494	CANISTER-BEATER	
3	099334	POWDERS CANISTER	FOR COFFEE
4	099442	SPRING	
5	099466	LID FOR CONTAINER	
6	098812	SPACER	
7	095936	WHEEL	
8	091959	BENZING COLLAR DIAM MM4	
9	0V1962	PIN FOR WHEEL	
10	095829	GASKET O-RING	
11	098609	SCROLL	
12	095849	CONTAINER RING NUT	
13	0V0165	SPRING	
14	0V1440	GEAR	FOR TEA-SOUP
15	0V1439	SOUP CONTAINER ASSY.	FOR TEA-SOUP
16	0V1433	DOUBLE CONTAINER ASSY.	
17	0V0164	RIGHT SPACER	
18	0V0163	LEFT SPACER	
19	0V0161	PIN FOR WHEEL	
20	0V0421	COVER	
21	099855	MOTOREDUCER	FOR CHOCOLATE
22	099856	MOTOREDUCER	FOR COFFEE
23	099882	PINION (FOR SMALL SHAFT)	FOR SMALL SHAFT
24	0V0943	PINION (FOR MAIN SHAFT)	FOR LARGE SHAFT
25	097502	NAMEPLATE GROUP CONTAINER INSTANT P	
26	098939	CANISTER-OPENING	
27	097520	POWDER INLET FUNNEL BROWN	
28	096926	WATER FUNNEL DEFLECTOR	
29	0V0180	WATER FUNNEL F.B.	
30	097912	CONVEYOR FOR MIXER	
31	099931	NOZZLE D.5	
32	099889	DISK	
33	097911	FLANGE FOR MIXER	
34	094540	GASKET O-RING 3125	
35	099880	GASKET	
36	097917	BUSH SEAL	
37	0V1129	MIXER WHEEL	
38	099331	DRAWER LID	
39	099330	POWDERS DRAWER	
40	098808	MOTORMIXER	
41	099773	SCREW	
42	0V1128	INTAKE FLANGE	
43	0V0526	SUCTION PIPE CONNECTION	
44	096459	HOSE DIAM 32	
45	098703	VENTILATOR PIPE CONNECTION	
46	098583	ELECTROVENTILATOR	

---

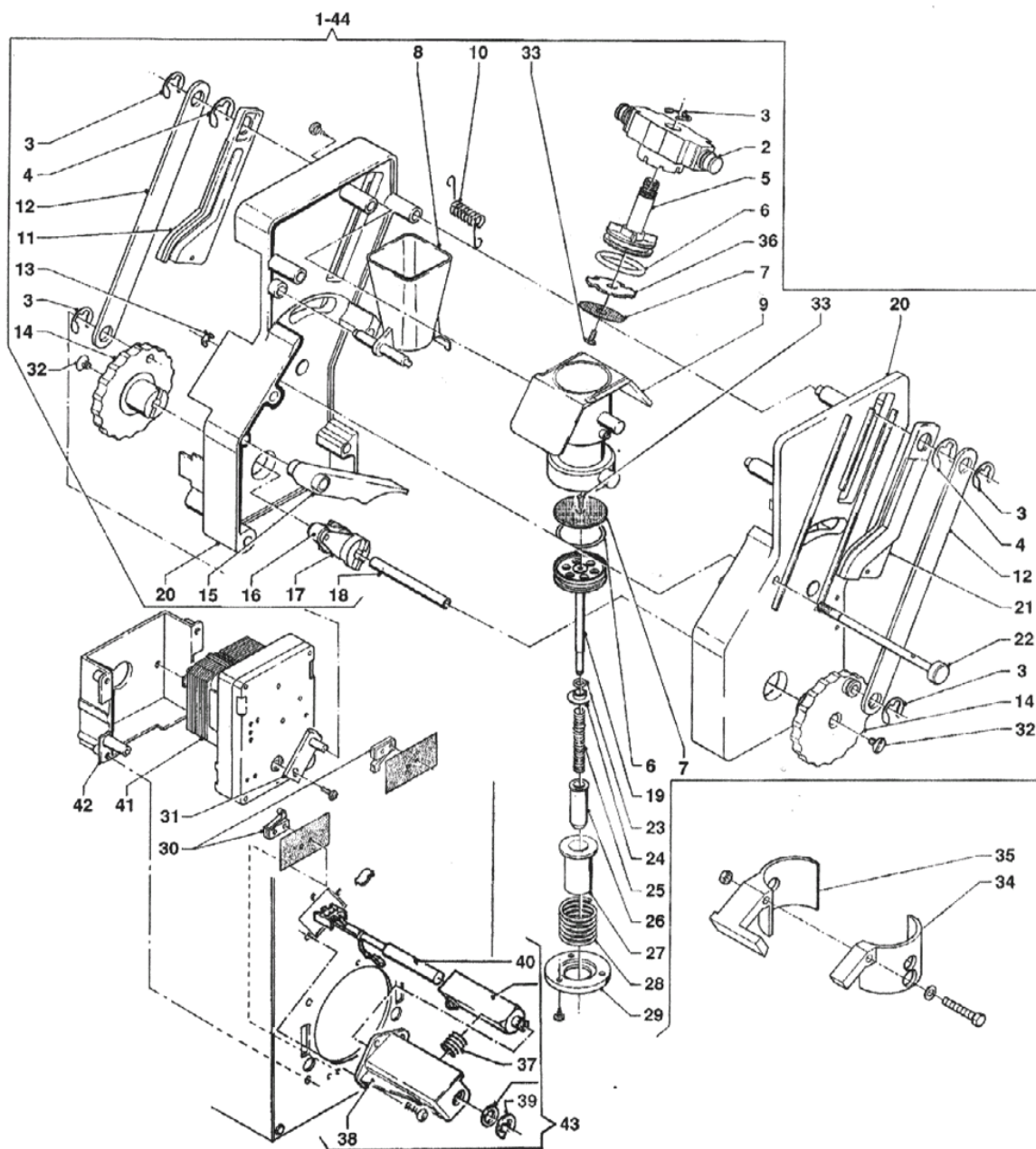
	<b>Code</b>	<b>Description</b>	<b>Notes</b>
47	090021	WHIPPING DIAM 10,5 MM	
48	097512	SILICONE HOSE 6X12 BROWN	
49	0V3386	DISPENSING SPOUT	
50	0V1147	SPOUT SUPPORT	
51	099838	STOPPER	
52	0V1965	MOTOREDUCER	FOR MILK
53	0V2456	CONTAINER BASE	
54	0V2277	CONTAINER CASING	



---

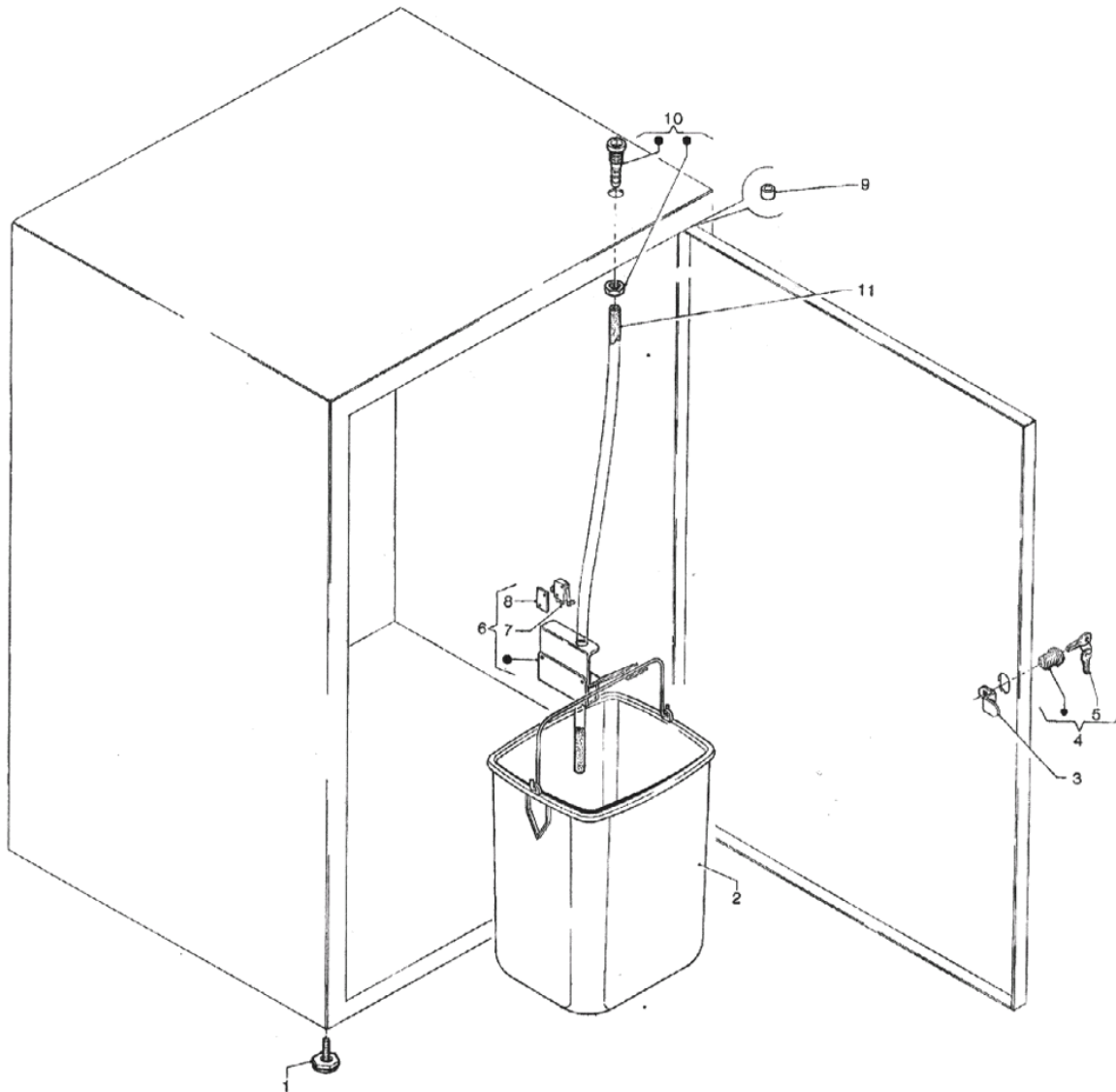
	<b>Code</b>	<b>Description</b>	<b>Notes</b>
1	099336	GRINDER	
2	099732	GRINDER MOTOR	
3	099468	SUPPORT	
4	099470	SHAFT WHEEL	
5	098293	ELASTIC PLUG	
6	095803	RADIAL BEARING	
7	099469	CAP	
8	099457	WASHER	
9	099484	LITTLE RUBBER	
10	099474	REGULATION SCREW	
11	093171	OUTER FIXING COLLAR DIAM MM6	
12	093271	COFFEE JUNK RING	
13	093187	THRUST BEARING	
14	095802	GRINDER HOLDER IMPELLER	
15	095809	SELF-THREADING SCREW (M4)	
16	097879	NICKELPLATED SCREW	
17	095840	GRINDER	
18	095805	GASKET O-RING	
19	099473	GRINDER HOLDER	
20	096988	WASHER	
21	099471	SPRING	
22	099472	LEFT SCREW	
23	0V1149	COFFEE CONTAINER ASSEMBLY	
24	0V1615	BLACK COFFEE CONTAINER COVER	
25	099337	COFFEE DOSER	
26	099475	ACTUATOR	
27	092657	CLOSS SLOT SCREW 3X6TC	
28	098716	ELECTROMAGNET 220V	
29	098822	PIN FOR LEVER	
30	098642	SHUTTER COFFEE-DOSER	
31	0V2131	BURGESS MICRO-SWITCH	
32	096097	SCREW	
33	098643	RULE COFFEE-DOSES	
34	098644	LEVER FOR RULE	
35	098696	SPRING DOSER ELECTROMAGNET	
36	093832	ROD PIVOT	
37	094128	GRIP CLIP	
38	093106	BLOCK ROD SPRING COVER	
39	093103	FELT PAD	
40	094635	CLIP	
41	093105	LID BLOCK ROD	
42	093104	FELT DISK	
43	092161	WASHER MM 6,4X130,6	
44	099180	COFFEE BELL SHUTTER	
45	099492	CONTAINER BASE	
46	093107	RING NUT COVERING LOCK ROD	

	<b>Code</b>	<b>Description</b>	<b>Notes</b>
47	093108	ROD-DRIVE COLLAR	
48	0V3229	MOTORBRUSH KIT FOR 099732	
49	0V2082	ADAPTER PLATE	



---

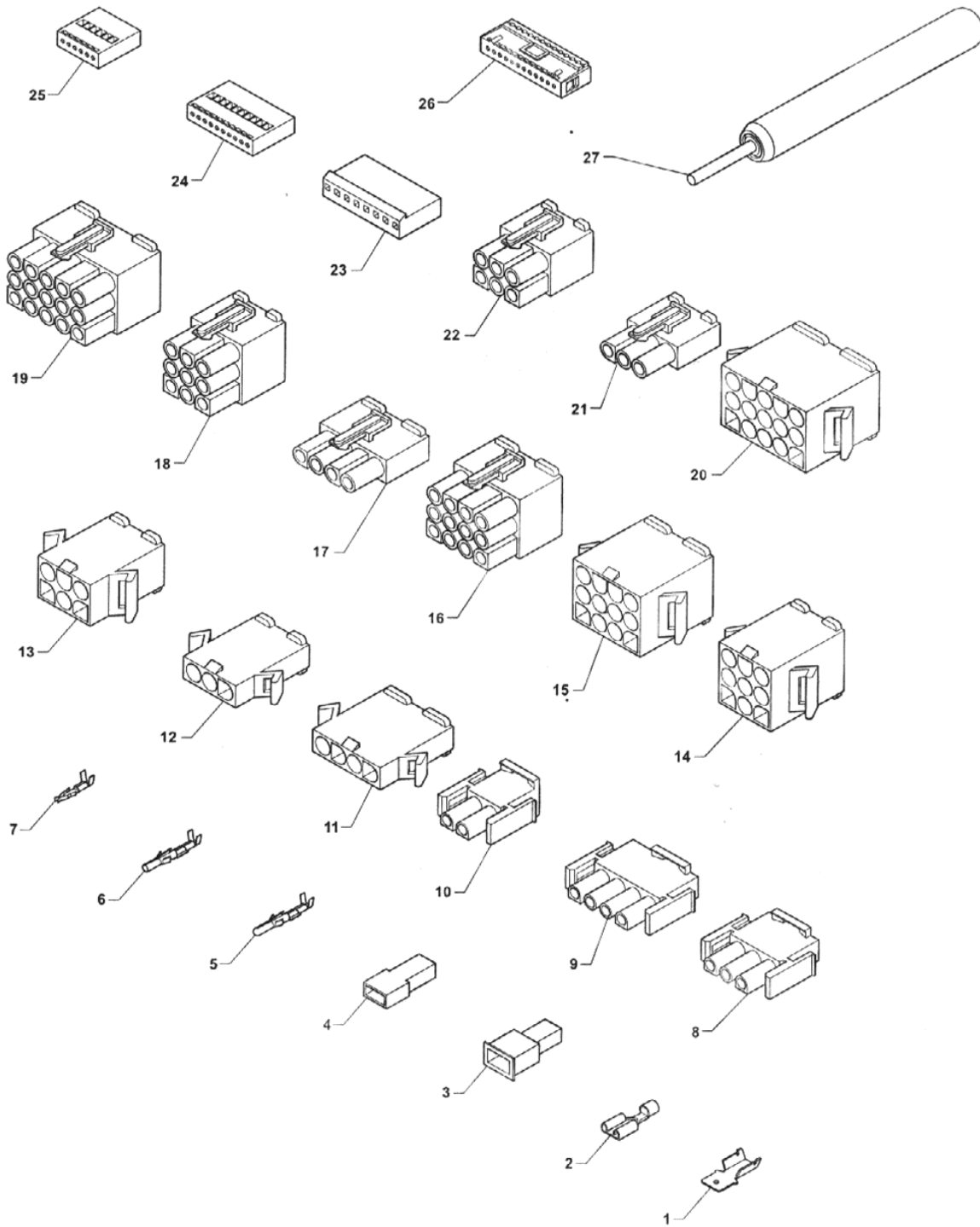
	<b>Code</b>	<b>Description</b>	<b>Notes</b>
1	0V1678	Z2000M UNIT/CHAMBER HEATED	
2	098568	CROSS-BAR	
3	092717	FIXING COLLAR DIAM MM10	
4	096569	FIXING COLLAR DIAM 12	
5	098577	UPPER PISTON	
6	093167	SILICONE GASKET OR 4118 .	
7	098687	COFFEE FILTER	
8	098570	COFFEE CHUTE	
9	0V1715	BREWING CHAMBER W/PLUG	
10	098920	SCRAPER	
11	098571	REAR SLEDGE	
12	098565	TRACE FOR PISTON COMMAND	
13	098818	STOPPING RING D.4	
14	098573	CRANK	
15	098575	OSCILLATING LEVER	
16	098692	ROTATING LEVER ROLL	
17	098574	ROTATING LEVER	
18	098693	ROD CRANK BLOCKING	
19	099490	LOWER PISTON	
20	0V1714	FRONT AND REAR SHOULDER	
21	098572	FRONT SLEDGE	
22	098694	ROD WITH KNURL	
23	090421	GASKET	
24	098690	CONTROL BUSH	
25	098688	PISTON RETURN SPRING	
26	098691	LOWER PISTON GUIDE	
27	098567	LID FOR SPRING	
28	098689	PREINFUSION SPRING	
29	098569	FLANGE FOR SPRING	
30	096355	MICRO SWITCH	
31	098763	CRANK WITH PIN	
32	0V3889	SCREW 6X14	
33	0V1963	S/S M3X10 SCREW	
34	0V1784	FRONT PANEL	
35	0V1785	REAR PANEL	
36	0V1789	WATER DEFLECTOR	
37	0V1788	CONTACT SPRING	
38	0V1787	SUPPORT	
39	987948	LOCKING WASHER	
40	0V1786	25 WATT 110/265 V RESISTOR	
41	098708	MOTOREDUCER	
42	098566	MOTOREDUCER SUPPORT	
43	0V1783	Z2000M HEATER WITH SUPPORT	
44	0V1358	Z2000M COFFEE UNIT	





---

	<b>Code</b>	<b>Description</b>	<b>Notes</b>
1	096244	LITTLE FEET	
2	097530	SQUARE WASTE BASKET BROWN	
3	098551	BOLT	
4	094814	LOCK PREFER 'V000' SELECTED CLOSING TIME	
5	091116	KEY TYPE 'V'	
6	099524	SUPPORT	
7	0V1927	MICROSWITCH 'UL'	
8	090681	INSULATING DISK	
9	094548	SPACER	
10	099642	RUBBER HOLDER	
11	098800	TRANSPARENT HOSE (PER METER)	



---

	<b>Code</b>	<b>Description</b>	<b>Notes</b>
1	091159	TERMINAL FASTON MALE BRASS	
2	090959	FASTON W/O TONGUE	
3	091192	FASTON COVER	
4	090247	FEMALE FASTON COVER	
5	095955	TERMINAL MALE	
6	096136	TERMINAL FEMALE	
7	094405	TERMINAL FEMALE 2,5	
8	094954	FEMALE HOLDER CONNECTOR 3-WAYS	
9	098062	4-WAY CONNECTOR MATE-N-LOK AMP	
10	094955	FEMALE HOLDER CONNECTOR 2-WAYS	
11	0V0809	4-PIN CONNECTOR/P MOLEX 3191	
12	0V0808	3-PIN CONNECTOR/P MOLEX 3191	
13	0V0810	6-PIN CONNECTOR/P MOLEX 3191	
14	0V0811	9-PIN CONNECTOR/P MOLEX 3191	
15	0V0812	12-PIN CONNECTOR/P MOLEX 3191	
16	0V0818	12-PIN CONNECTOR/P MOLEX 3191	
17	0V0815	4-PIN CONNECTOR/P MOLEX 3191	
18	0V0817	9-PIN CONNECTOR/P MOLEX 3191	
19	0V0819	15-PIN CONNECTOR/P MOLEX 3191	
20	0V0813	15-PIN CONNECTOR/P MOLEX 3191	
21	0V0814	3-PIN CONNECTOR/P MOLEX 3191	
22	0V0816	6-PIN CONNECTOR/P MOLEX 3191	
23	093993	CHASER CONNECTOR FEMALE HOLDER 10-W	
24	094404	FEMALE HOLDER CONNECTOR 12-WAYS 2,5	
25	094712	FEMALE HOLDER CONNECTOR STOKO 6-WAY	
26	094961	FEMALE HOLDER CONNECTOR P.I. 12-W	
27	0V0820	MOLEX CONTACT PULLER	