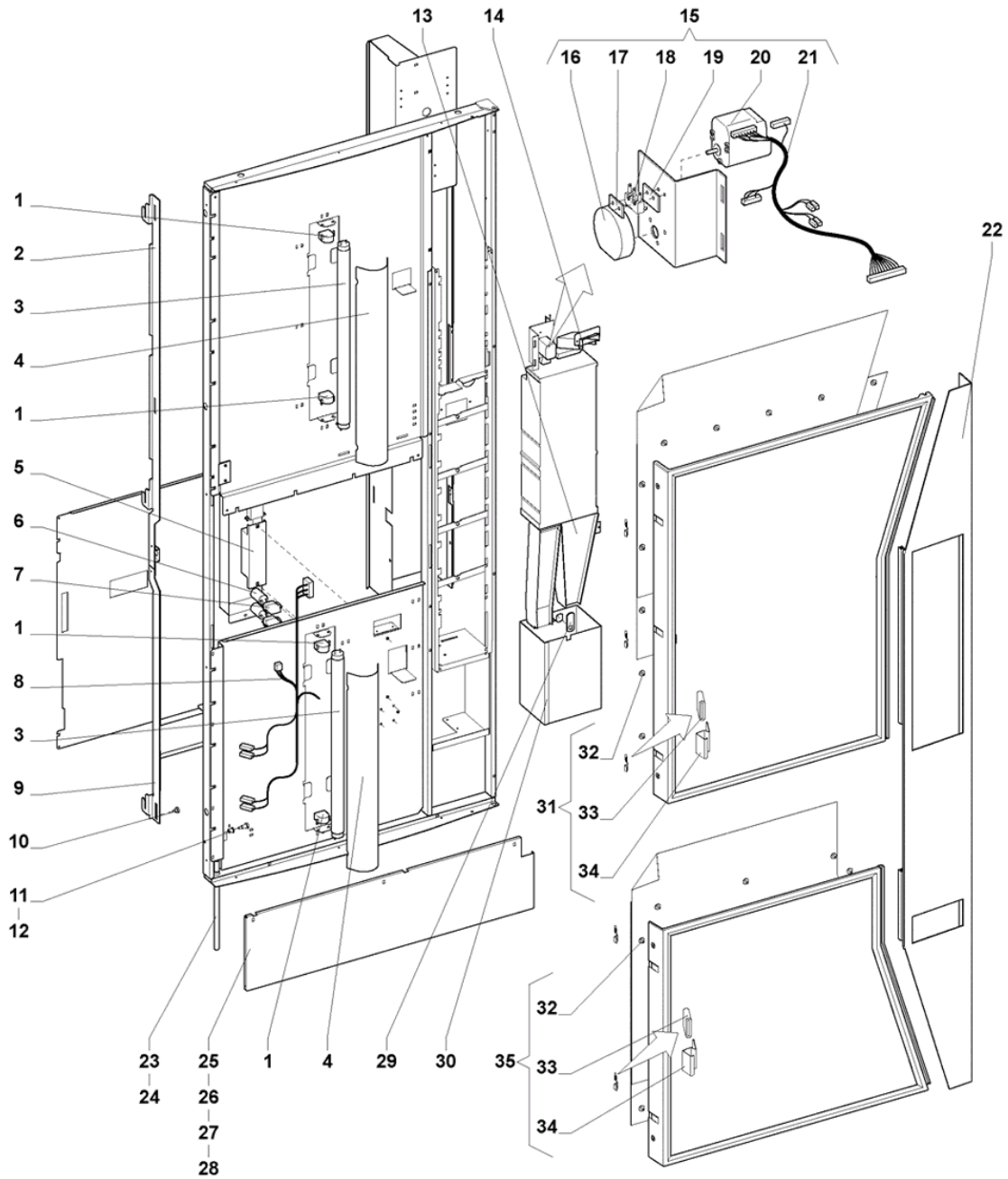
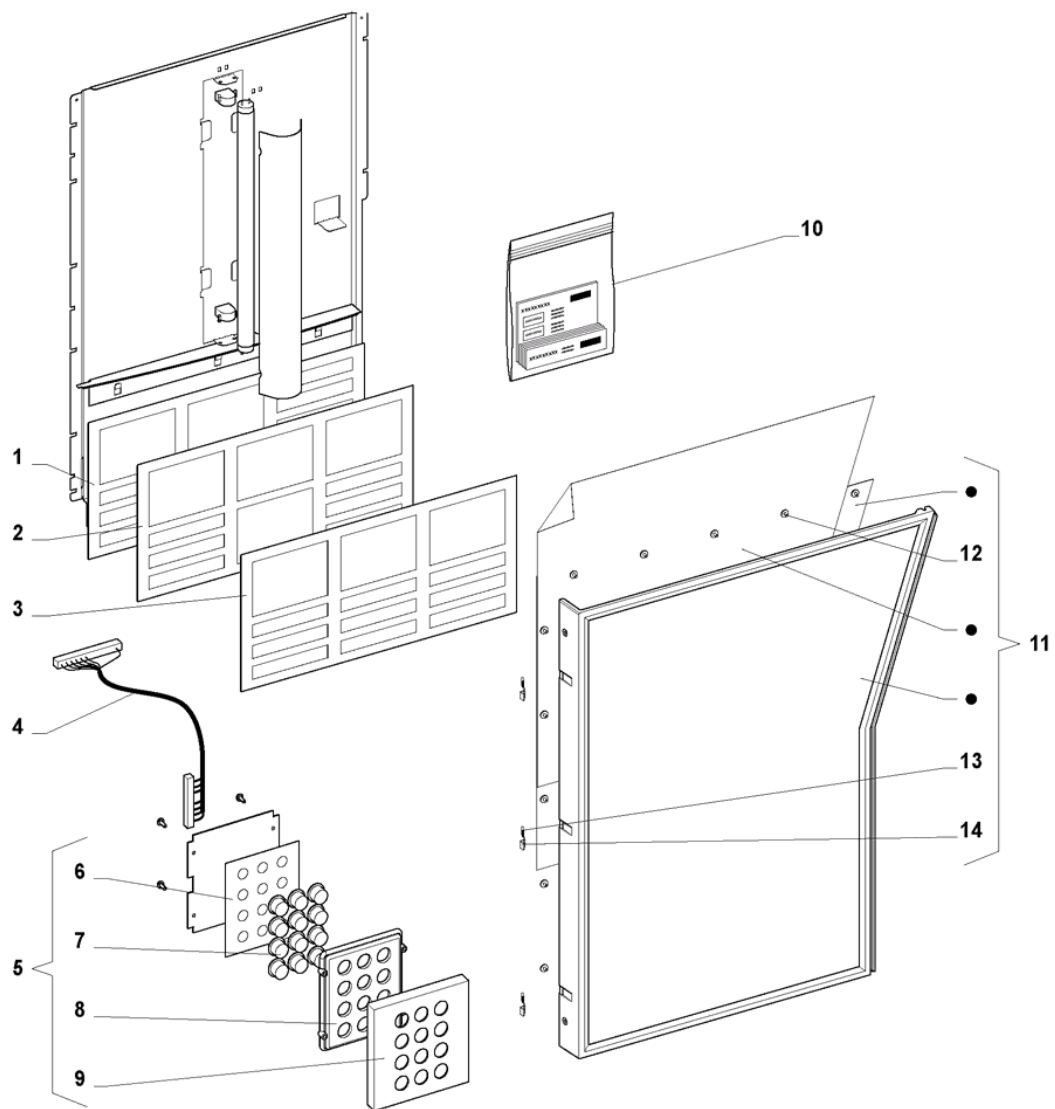


IN7600

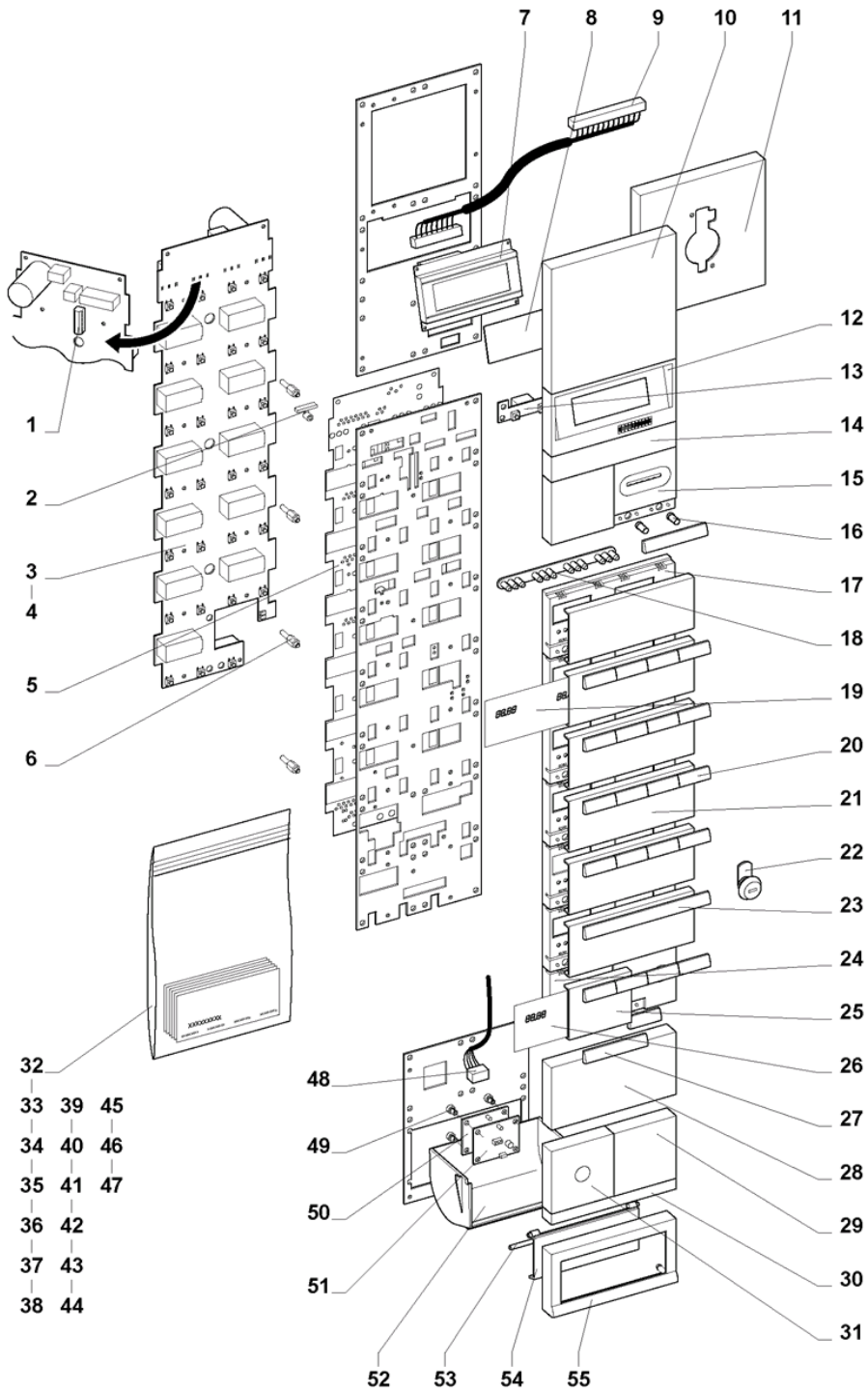




	Code	Description	Notes
1	41704300	SOCKET F. FLUORESCENT TUBE	
2	30953900	UPPER LOCKING RAIL	
3	41701415	FLUORESCENT TUBE 15W	
4	30959400	COVER FOR FLUORESCENT TUBE	
5	41703330	CHOKE COIL	
6	41700401	STARTER	
7	41705200	SOCKET F. STARTER	
8	42387200	HARNESS, DOOR LIGHT	
9	30950100	LOWER LOCKING GUIDE	
10	00001034	COLLAR SCREW M4	
11	00005031	BUSHING WITH COLLAR	
12	09004025	SCREW M5X16	
13	30965000	COIN CHUTE	
14	30965800	COIN INSERT CHUTE	
15	42386300S	COIN RETURN ASSEMBLY	
16	39461800	ECCENTRIC	
17	30448800	THREADING PIECE	
18	41308800	MICRO SWITCH, SMALL	
19	14262700	INSULATION F. SWITCH	
20	41512800	MOTOR	
21	42386310	HARNESS, COIN RETURN	
22	39275900	ALU PROFILE	
23	31004600	SUPPORT FOR DOOR	
24	09083250	NUT M10	
25	31101225	KICK PLATE, WHITE	
26	31101255	KICK PLATE, BLACK	
27	31101290	KICK PLATE, SPEC. COLOR	
28	31101296	KICK PLATE, ALU-WHITE	
29	30461400	LOCKING LATCH F CASH BOX	
30	30962400	CASH BOX	
31	30954600S	UPPER POSTER FRAME, MOUNT.	
32	39720000	PLUG F POSTER FRAME	
33	35021401	CAP PVC, GREEN	
34	39701000	SPRING F POSTER FRAME	
35	30954700S	LOWER POSTER FRAME, MOUNT.	

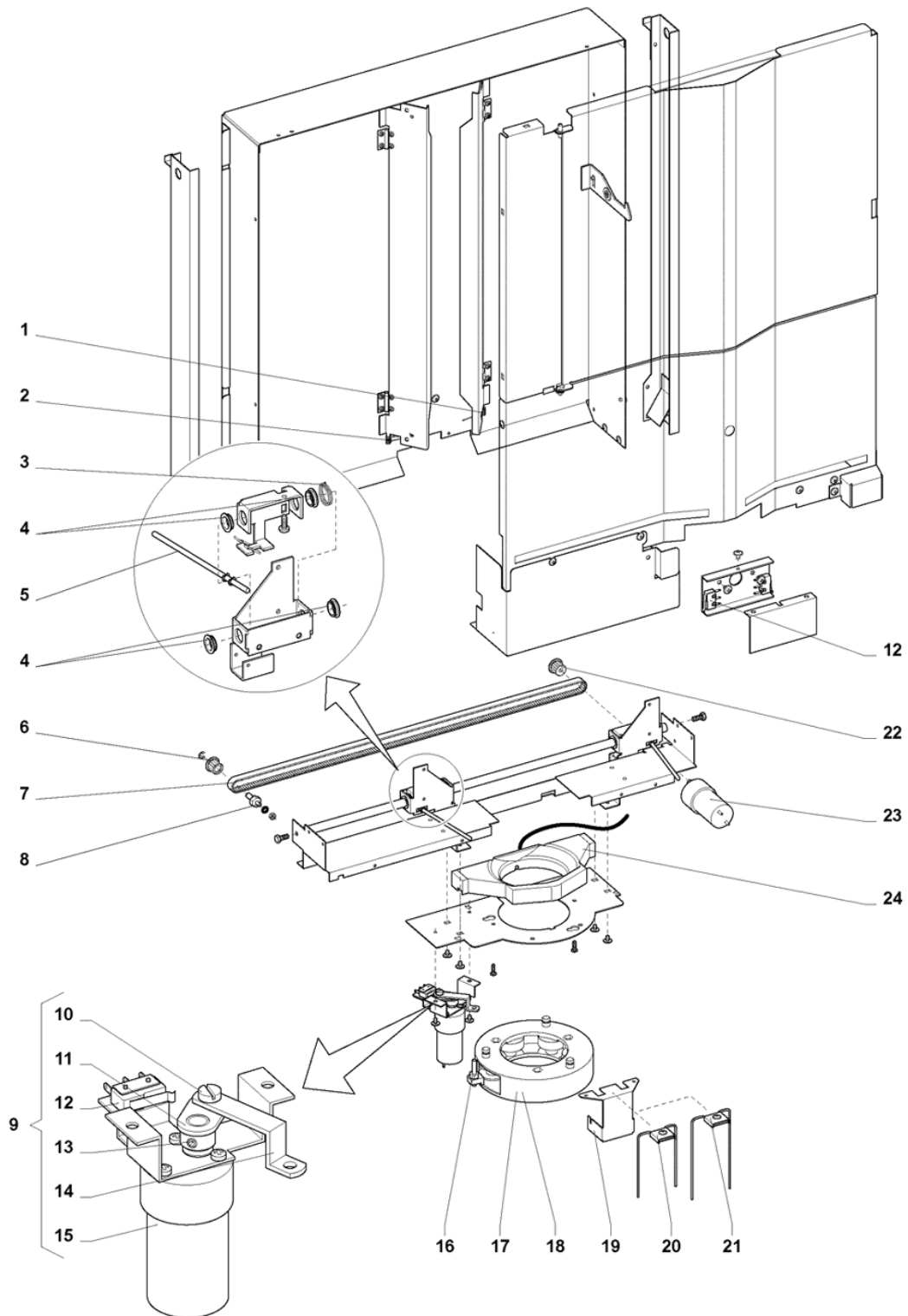


	Code	Description	Notes
1	39708400	MENU BOARD NO. 3	
2	39708300	MENU BOARD NO. 2	
3	39708200	MENU BOARD NO 1	
4	42390500	HARNESS, KEY PAD	
5	31033100	KEYPAD, MOUNTED	
6	0V0070	MEMBRANE CONTROL PANEL	
7	0V4233	SELECTION BUTTONS	
8	0V4228	MEMBRANE-TYPE PUSH-BUTT.PANEL ELEM.	
9	39708100	COVER FOR KEYPAD	
10	31033600	MENU BOARD ASSEMBLY, IN7600 GB	
11	31033300S	UPPER FOSTER FRAME, KEY PAD	
12	39720000	PLUG F POSTER FRAME	
13	35021401	CAP PVC, GREEN	
14	39701000	SPRING F POSTER FRAME	

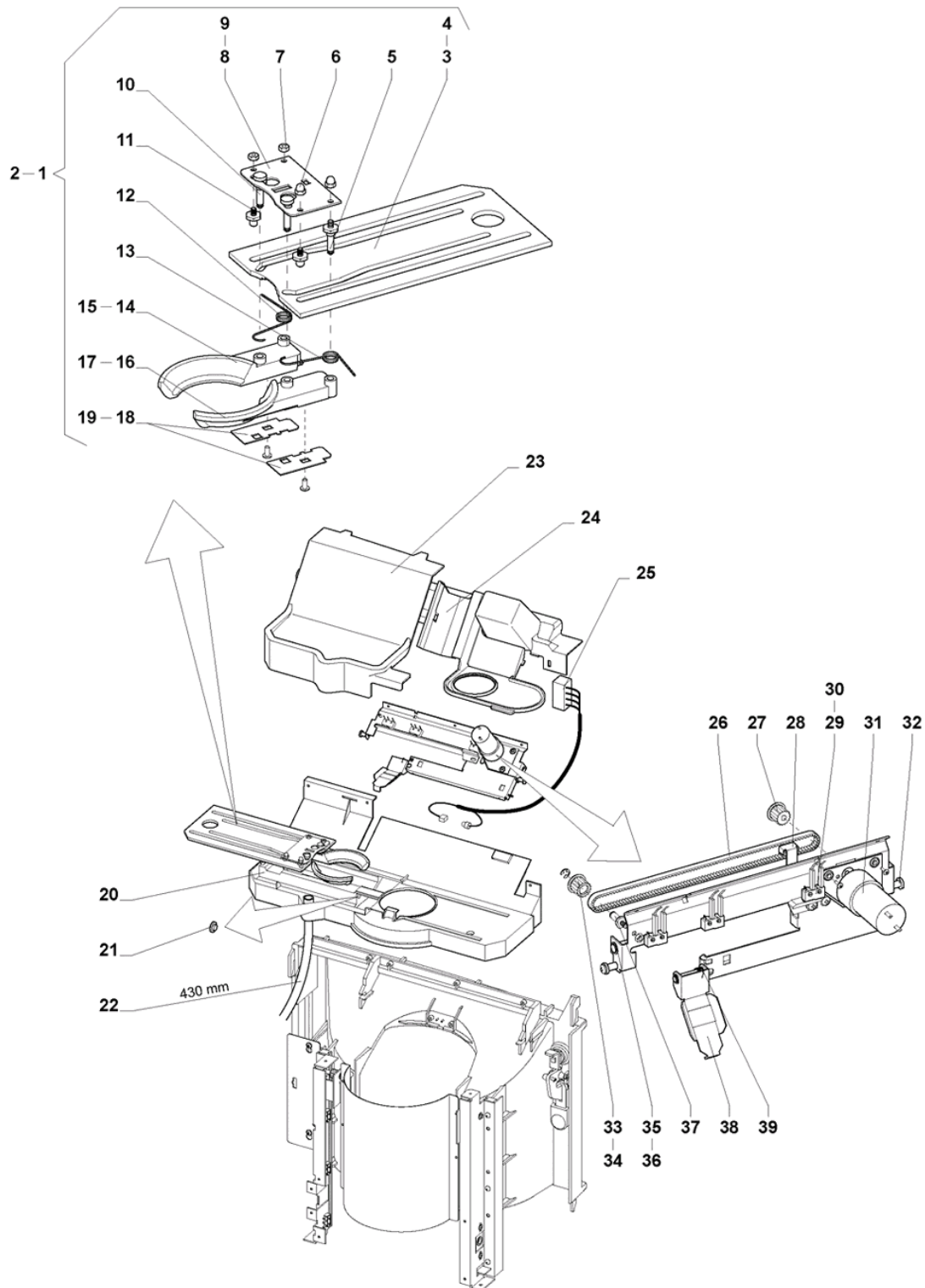


	Code	Description	Notes
1	48002003	SPC PROGRAM	
2	39599300	SPRING	
3	47124800	CIRCUIT BOARD	
4	39463400	CLIP F. PRINT BOARD	
5	39701600	FOIL FOR SPC	
6	31001200	STAYBOLT F SELECTION PANEL	
7	48560600	LCD DISPLAY	
8	39599800	GLASS FOR DISPLAY	
9	42385700	HARNESS, DISPLAY	
10	39595200	BLANKING MODULE, FULL WIDTH	
11	39702200	COVER PROFILE CONPAS	
12	39595500	HOLDER FOR DISPLAY	
13	47125400	RETURN CIRCUIT BOARD	
14	39596100	DISTANCE PIECE, UPPER	
15	39595600	COIN INSERT	
16	39716800	FASTENER	
17	39595800	BASE MODULE	
18	39599200	LIGHT GUIDE	
19	77439801S	PRICE SIGN 88,88 LARGE	
20	39596700	PUSH BUTTON, QUARTER SIZE	
21	39595900	HOLDER F LABEL, LARGE	
22	39627401	LOCK FOR MULTI BREW	
23	39596900	PUSH BUTTON, FULL SIZE	
24	39597200	BASE MODULE, HALF SIZE	
25	39596000	HOLDER F LABEL, SMALL	
26	77439802S	PRICE SIGN 88,88 SMALL	
27	39596800	PUSH BUTTON, HALF	
28	39595300	BLANKING MODULE HALF WIDTH	
29	39595400	BLANKING MODULE, QUARTER WIDTH	
30	39596200	DISTANCE PIECE, LOWER	
31	39596300	COVER, OPTICAL INTERFACE	
32	31001013	SIGNS KIT IN, DE	
33	31001014	TEXT SIGNS ASS, GB	
34	31001016	TEXT SIGNS ASS, FR	
35	31001022	TEXT SIGNS ASS, DE	
36	31001026	TEXT SIGNS ASS DALLMAYR, DE	
37	31001027	TEXT SIGNS ASS CASE, DE	
38	31001028	TEXT SIGNS ASS. CASE, DE	
39	31001034	TEXT SIGNS ASS, SE	
40	31001035	TEXT SIGNS ASS, DK	
41	31001036	TEXT SIGNS ASS, AT	
42	31001037	TEXT SIGNS ASS, FR	
43	31001038	TEXT SIGN ASS, NO	
44	31001039	TEXT SIGNS ASS, DK	
45	31001042	TEXT SIGNS ASS. CASE, DE	
46	31001046	TEXT SIGNS ASS, FR	

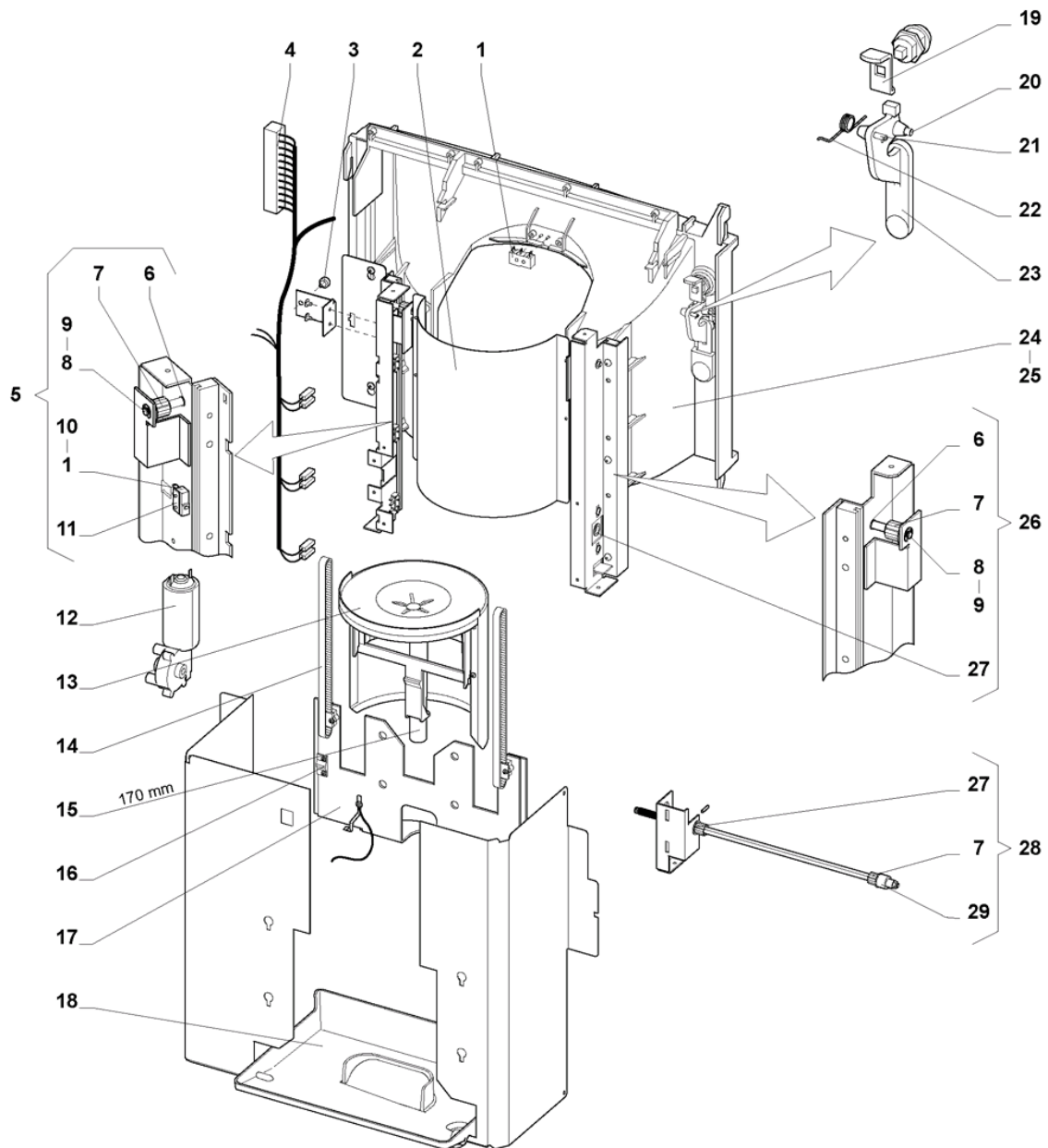
	Code	Description	Notes
47	31001047	TEXT SIGNS ASS, CZ	
48	42389600	HARNESS, OPTICAL INTERFACE	
49	39463400	CLIP F. PRINT BOARD	
50	47125900	CIRCUIT BOARD, IRDA INTERFACE	
51	47125800	CIRCUIT BOARD, ASK INTERFACE	
52	39596600	COIN RETURN CUP	
53	39276600	COUNTER WEIGHT F FLAP, LARGE	
54	39596500	FLAP F COIN RETURN CUP, LARGE	
55	39596400	FRAME F COIN RETURN CUP, LARGE	



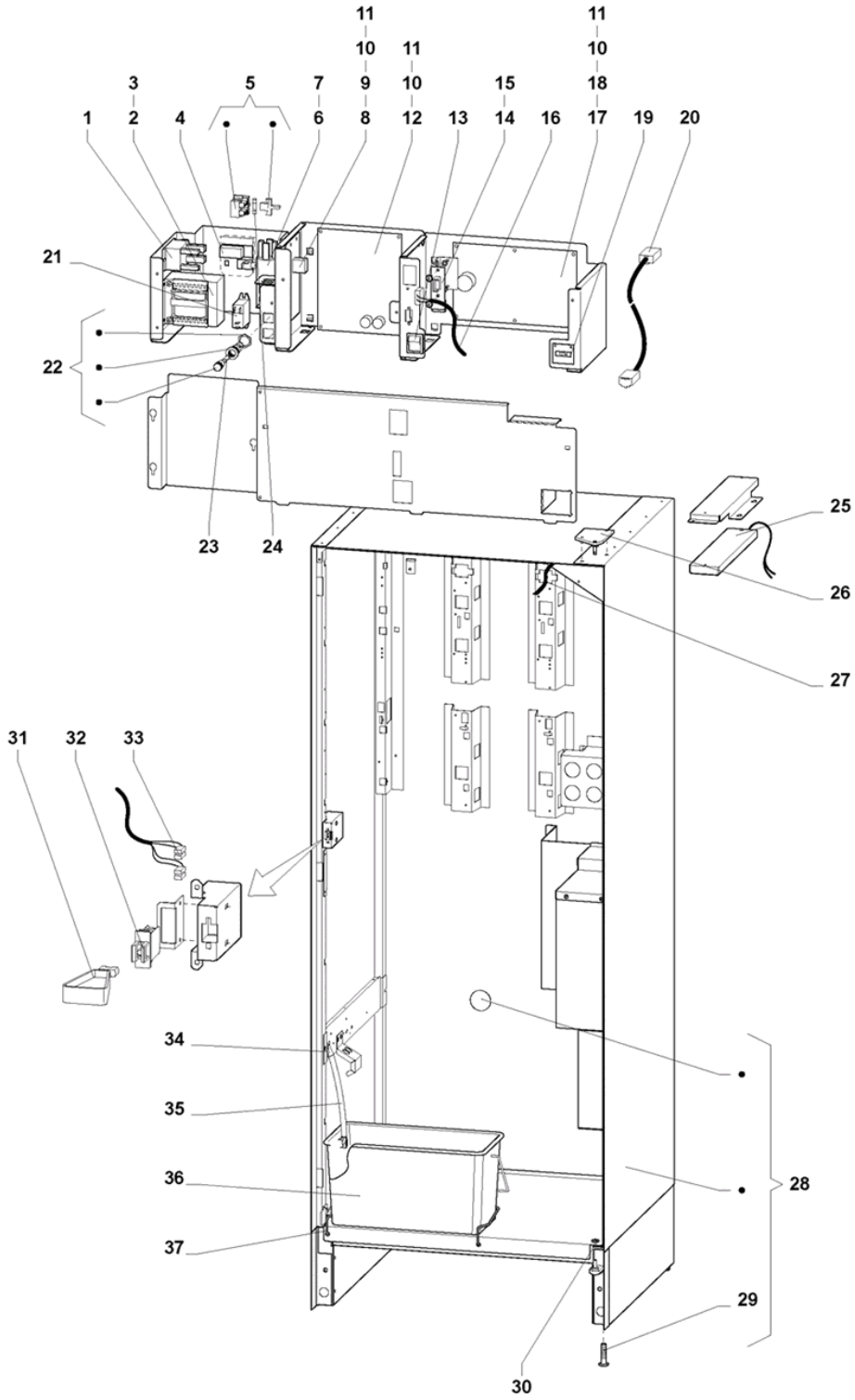
	Code	Description	Notes
1	39632802	SPRING FOR CUP GUIDE LEFT	
2	39632801	SPRING FOR CUP GUIDE RIGHT	
3	39651300	PRESSURE SPRING	
4	39436801	SLIDE BEARING Ø10	
5	39272401	PIN F RELEASER	
6	39703200	PULLEY F TOOTHED BELT Z=16, Ø6	
7	39535806	TOOTHED BELT PG 981 3M-09 HTD	
8	39651400	SHAFT F. GEAR WHEEL	
9	30604800S	BRACKET FOR DROP RING MOTOR	
10	00001007	COLLAR SCREW M4 X 6	
11	30537400	CRANK	
12	41308800	MICRO SWITCH, SMALL	
13	09071012	POINTED SCREW M4X5	
14	30537600	TENSION ROD FOR DROP RING	
15	41533801	MOTOR RB300036-00501	
16	30087000	DRIVER PIN	
17	30881703	CUP DROP RING 7C W. PINS	
18	30881702	CUP DROP RING 7H W. PINS	
19	30590900	HOLDER FOR BRAKE	
20	31071700S	CUP BRAKE LONG, ASS.	
21	30634400S	CUP BRAKE, ASS.	
22	39557800	WHEEL, TOOTHED BELT Z=16, Ø5	
23	41533802	MOTOR RB300120-00501	
24	75801900	PILE GUIDE W. CUP SENSOR	



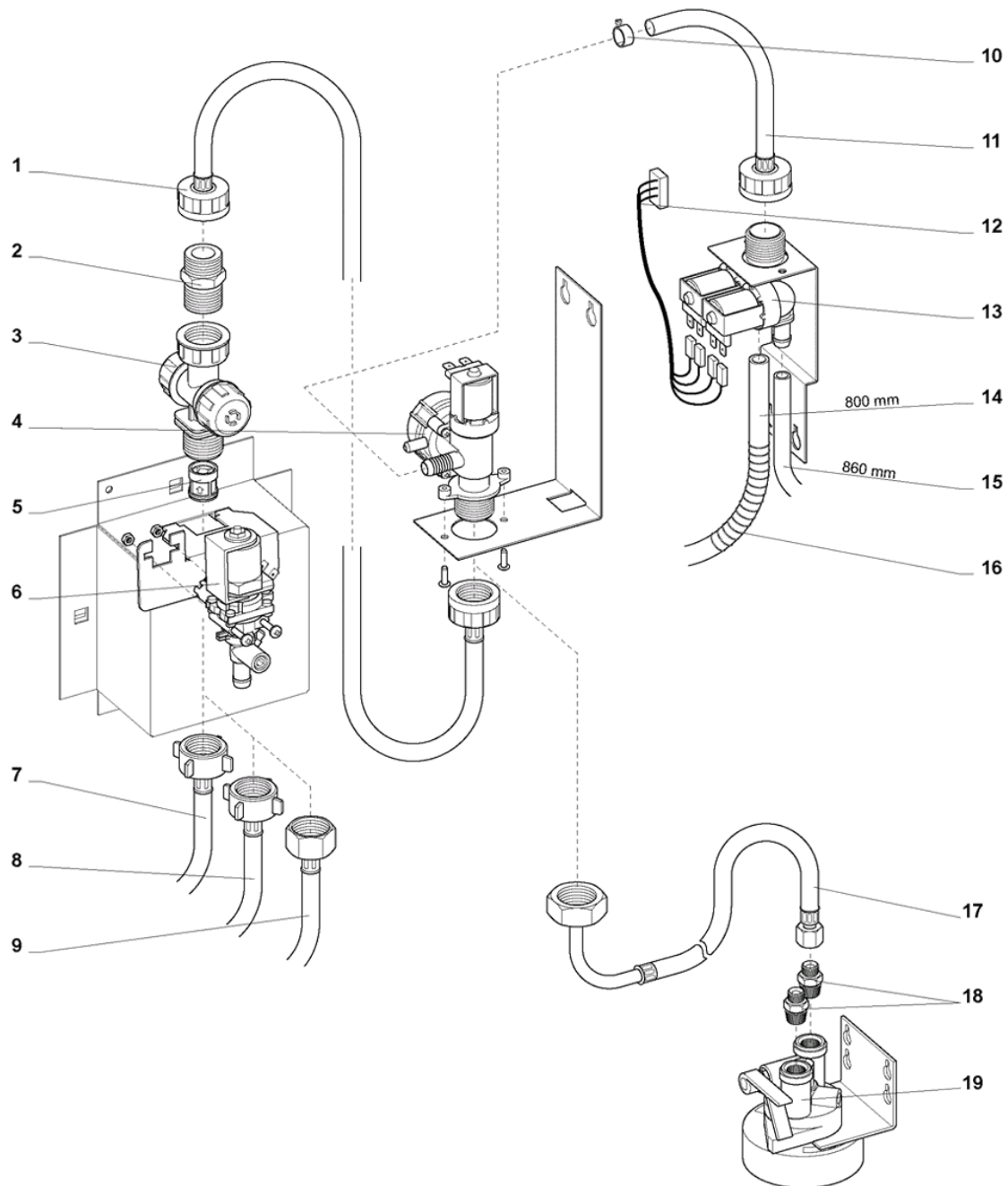
	Code	Description	Notes
1	31109800S	CUP CATCH ASSEMBLY, 7C	
2	31115700S	CUP CATCH ASSEMBLY 7H	
3	39722300	CUP GUIDE 7C	
4	39722700	CUP GUIDE 7H	
5	39260100	PIN FIXED	
6	09106502	CAP HEAD NUT	
7	09102520	NUT M4	
8	31114200	METAL PLATE 7C	
9	31115600	METAL PLATE 7H	
10	39259800	GUIDE PIN	
11	39722400	FIXED GUIDING PIN	
12	39280201	SPRING F RIGHT CUP CATCH	
13	39280202	SPRING F LEFT CUP CATCH	
14	39534700	CUP FORK RIGHT	
15	39722900	CUP FORK RIGHT 7H	
16	39534600	CUP FORK LEFT	
17	39723000	CUP FORK LEFT 7H	
18	31045300	LOCKING PLATE 7C	
19	31116400	LOCKING PLATE 7H	
20	31008700S	COVER FOR CUP STATION	
21	39533900	OPTO DIODE GLASS	
22	39470504	HOSE Ø13/Ø9	
23	39702500	DRIP TRAY	
24	39593800	CUP SLIDE	
25	42386600	HARNESS, OPTO SENSOR	
26	39535807	TOOTHED BELT 3 MR 480-06	
27	39557800	WHEEL, TOOTHED BELT Z=16, Ø5	
28	31084600	BELT HOLDER	
29	41305700	MICRO SWITCH	
30	09004007	SCREW RPH M2X8	
31	41529624	MOTOR	
32	39263500	BUSH F CLOSING MECHANISM	
33	39703200	PULLEY F TOOTHED BELT Z=16, Ø6	
34	09124110	RETAINING RING	
35	39276100	GUIDE	
36	39436803	SLIDE BEARING Ø8	
37	39641200	SHAFT F. PULLEY	
38	30637500	COUPLING	
39	39266500	SPRING F LOCK	



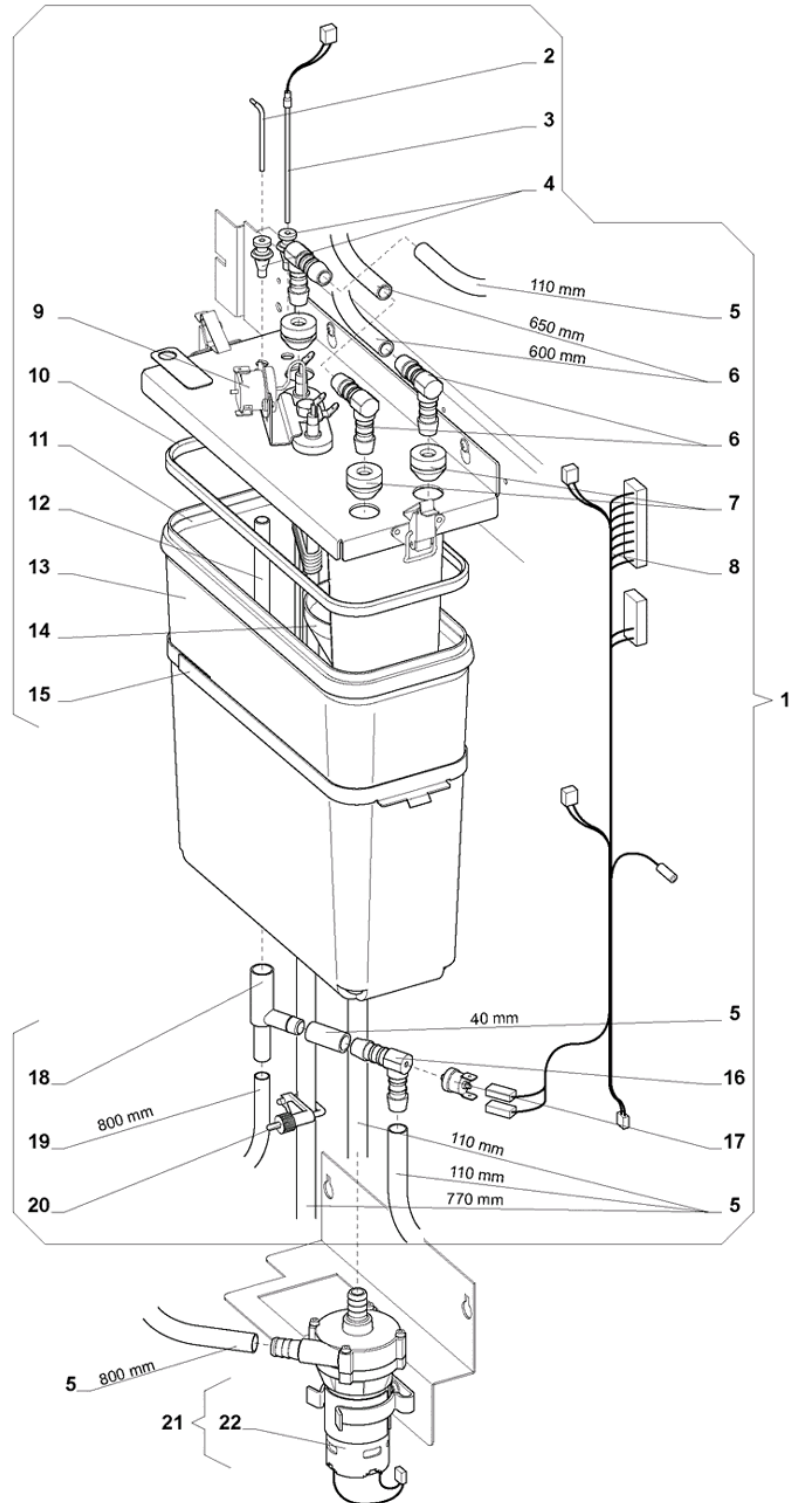
	Code	Description	Notes
1	41305700	MICRO SWITCH	
2	30560800	ALU SHIELD FOR CUP STATION	
3	39412601	RUBBER STOP	
4	42385400	HARNESS, CUP STATION	
5	31084000S	RIGHT SLIDING RAIL, AUTOBAR	
6	39436802	SLIDE BEARING Ø6	
7	39533500	PULLEY, TOOTHED BELT Z=16, 6X6	
8	39258700	SHAFT FOR GEAR WHEEL	
9	09124115	RETAINING RING RS 5	
10	39637700	ADJUST.PIECE F MICRO SWITCH	
11	30448800	THREADING PIECE	
12	41529100	MOTOR	
13	30638900S	CUP PLATFORM, MOUNT.	
14	39535802	TOOTHED BELT	
15	39470504	HOSE Ø13/Ø9	
16	39534300	ACTIVATING DEVICE	
17	30562400S	BRIDGE, MOUNT.	
18	39721200	DRIP TRAY	
19	31018100	LOCKING LATCH, RIELDA	
20	39638600	SHAFT FOR DOOR HANDLE	
21	00000231	THREADED PIN	
22	39234400	SPRING	
23	39234300	DOOR HANDLE	
24	39592200	CUP STATION	
25	39533800	GLASS F OPTO DIODE	
26	30949600S	LEFT SLIDING RAIL	
27	39436801	SLIDE BEARING Ø10	
28	30953700S	MOTOR BRACKET	
29	39540900	BEARING	



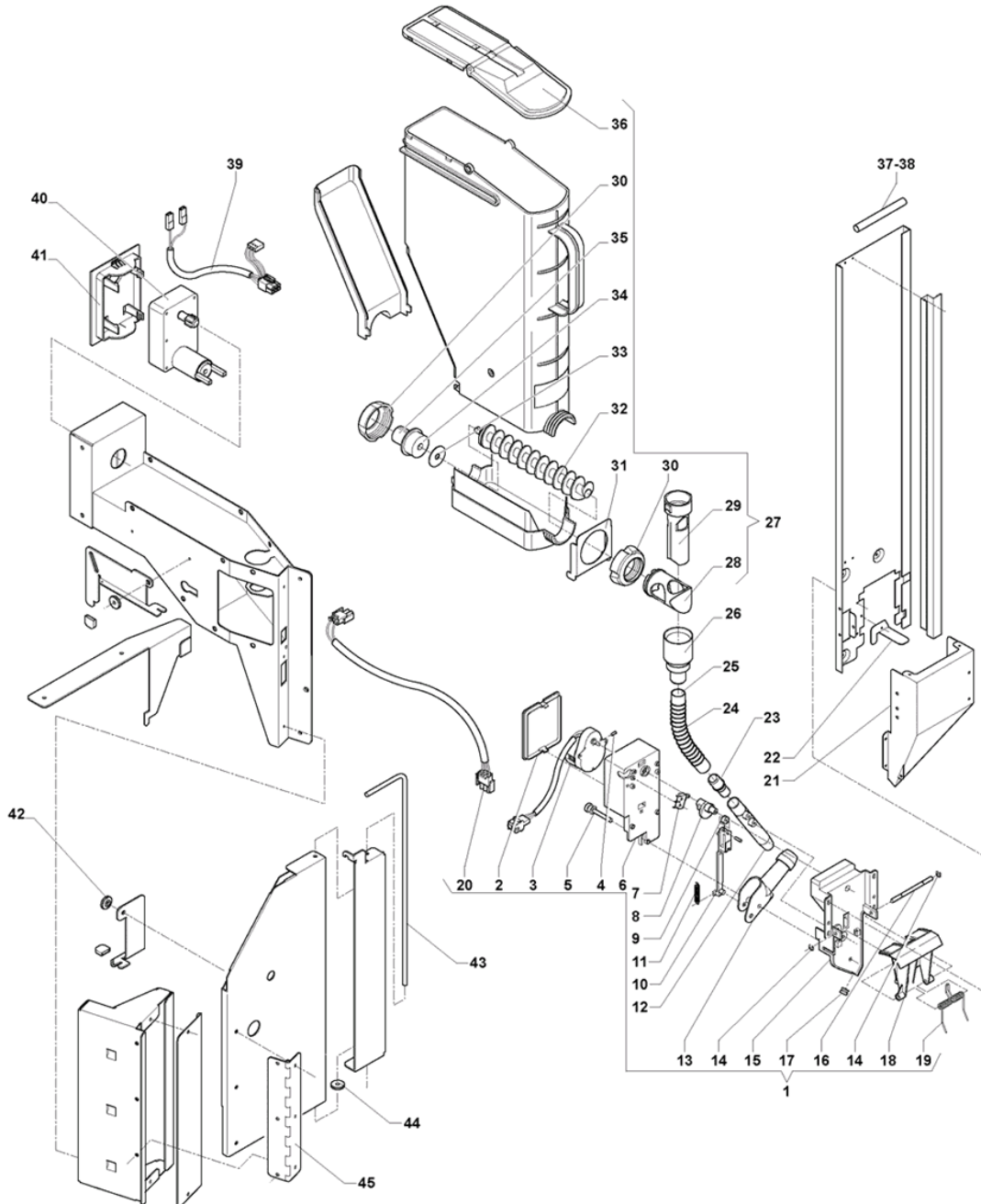
	Code	Description	Notes
1	41414000	RELAY	
2	41611100	TRANSFORMER 230V-50HZ	
3	39224700	SPEED CLIPS	
4	098796	TERMINAL BOARD	
5	097241	3-POLE TERMINAL BOARD W/CARRIER	
6	41815700	NOISE CAPACITOR	
7	41815702	NUT	
8	47126400	CIRCUIT BOARD, DELTA BREWER	
9	48002001	FB PROGRAM	
10	41005801	FIXTURE F. PC BOARD	
11	58010410	THREADED SPACER	
12	47125600	CPU CIRCUIT BOARD	
13	41303603	TILTING SWITCH	
14	47126300	CIRCUIT BOARD F UP-KEY	
15	00005545	SPACING BUSH	
16	42393300	HARNESS F UP-KEY	
17	47124900	VMC CIRCUIT BOARD	
18	48002002	VMC PROGRAM	
19	0V2284	SCALER 24 VOLT	
20	42383901	HARNESS, TELCON 1400MM	
21	41415200	RELAY (OMRON)	
22	0V3201	FUSE HOLDER	
23	41008402	FUSE 10A 5X20 MM	
24	41008401	FUSE 2A 5X20 MM	
25	42390100	SERVICE LIGHT	
26	30937400	UPPER HINGE FOR CABINET	
27	31018300	SECURING STRAP L=315	
28	30933300S	CABINET, ASS.	
29	39279600	FOOT FOR CABINET	
30	29932900	WASHER	
31	0V1654	SWITCH KEY	
32	41308701	DOOR SWITCH	
33	42392700	HARNESS, DOOR SWITCH FB/FF	
34	39420500	LEAD-IN F. HOSE	
35	42387100	SENSOR FOR WASTE BUCKET	
36	39714500	WASTE BUCKET, 11L	
37	39714600	BRACE F WASTE BUCKET	



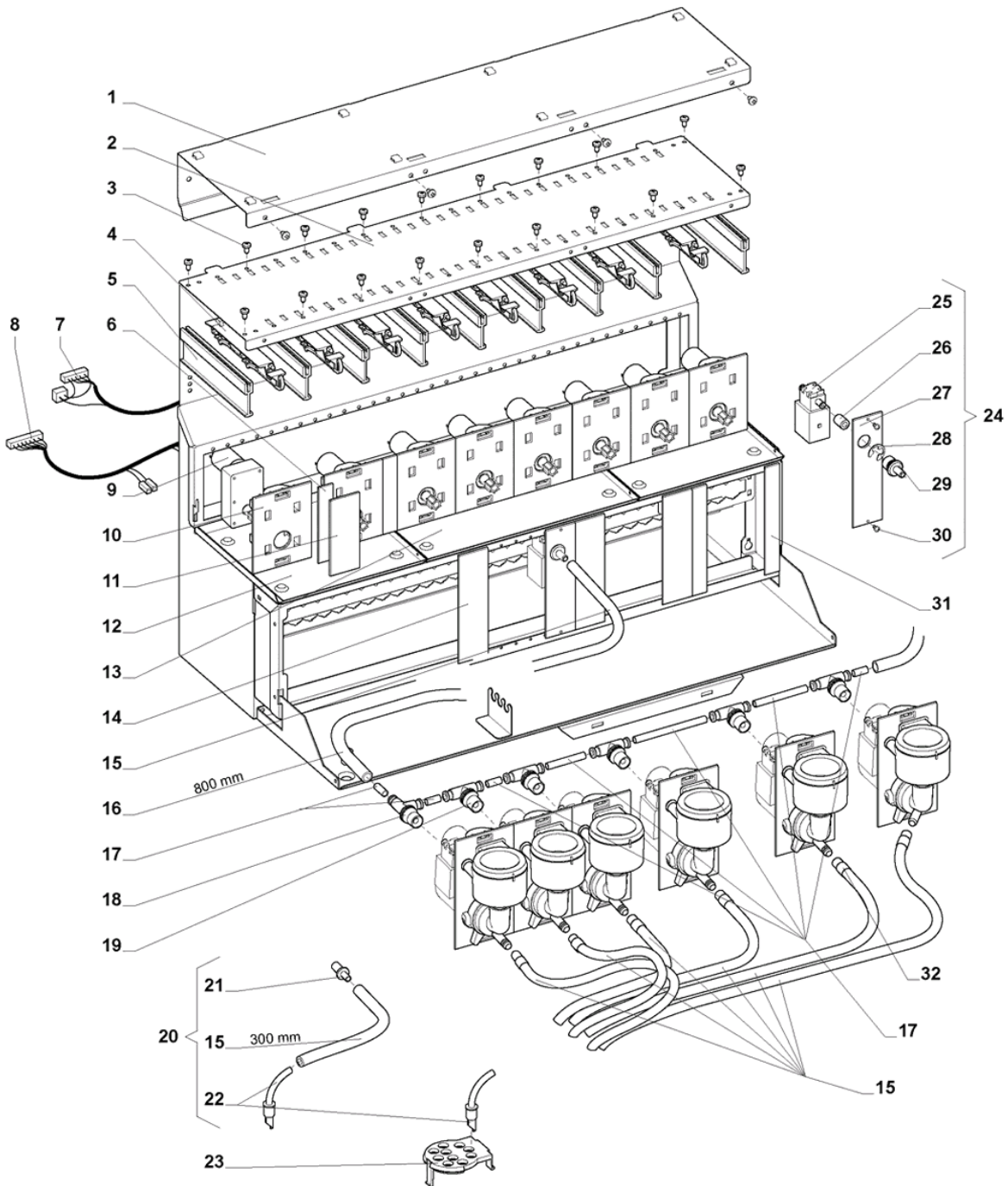
	Code	Description	Notes
1	39497200	HOSE 3/4"-3/4"	
2	A-0862	COLLAR NIPPLE 3/4"	
3	39269000	WATER FILTER	
4	41533600	INLET VALVE 24VDC	
5	39312200	REFLUX VALVE	
6	41532400	24VDC VALVE, MÜLLER	
7	39655700	CONNECTING HOSE WIRSBO 1/2"	
8	35092000	CONNECTING HOSE WIRSBO 3/4"	
9	39649100	"CONNECTING HOSE 3/8"" DECS"	
10	39202515	HOSE CLIP	
11	31085000	CONNECTING HOSE 3/4" SPEC.	
12	42390400	HARNESS, COLD WATER INJECTION	
13	41533700	DOUBLE INLET VALVE 24V DC	
14	39470504	HOSE Ø13/Ø9	
15	39470503	HOSE Ø9,5/Ø6	
16	30122400	SPRING F HOSE	
17	31088701	REINFORCED HOSE 3/4-1/4 (600)	
18	39370602	"COLLAR NIPPLE 3/8"" - 1/4""	
19	39207902	COVER FOR FILTER	



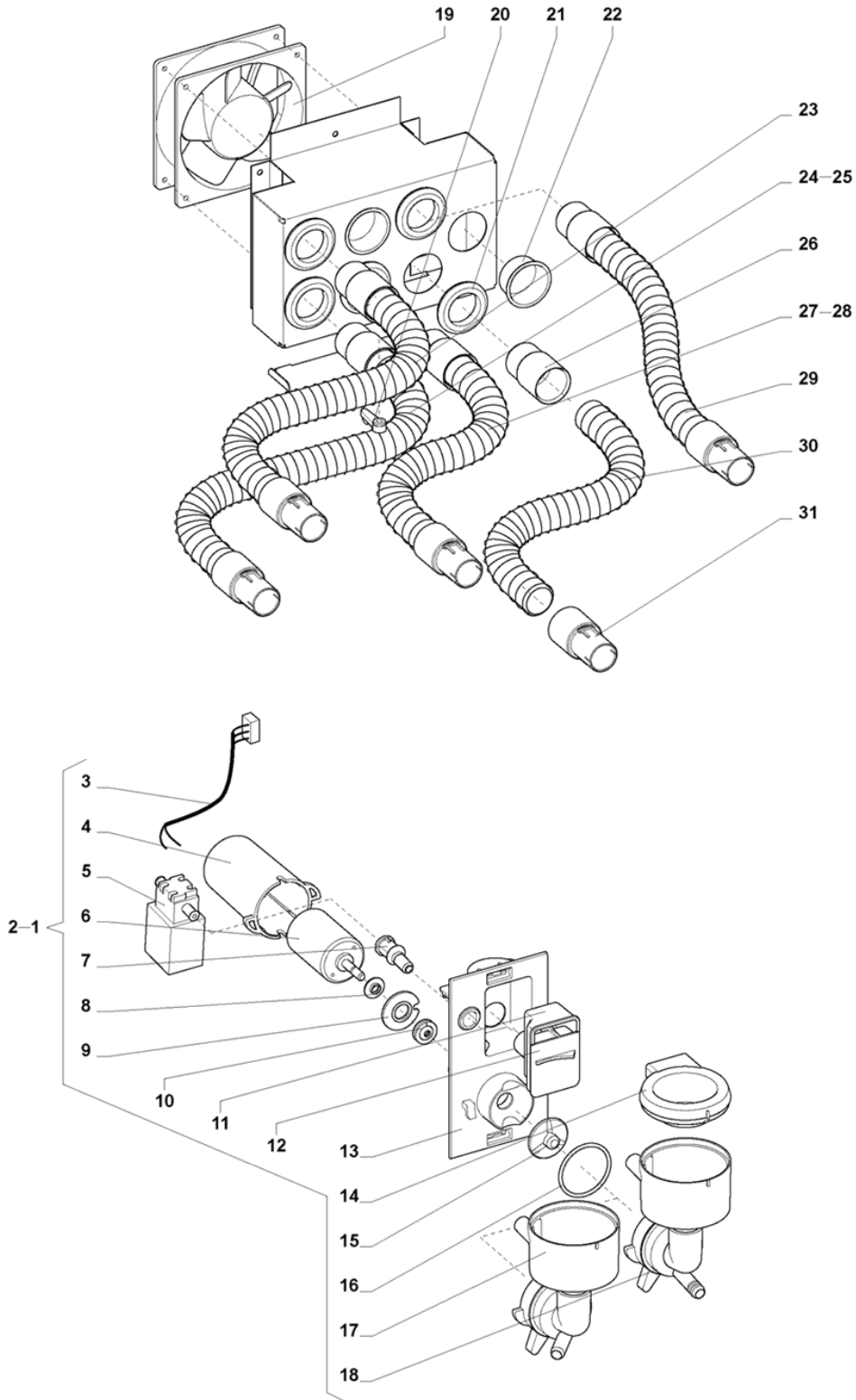
	Code	Description	Notes
1	31005600S	WATER TANK, MOUNT. 2000W	
2	29776912	ELECTRODE 50 MM	
3	42387300	TEMPERATURE SENSOR, KPL	
4	30742401	HOLDER FOR ELECTRODE	
5	39470504	HOSE Ø13/Ø9	
6	35012301	ANGLE PIECE WS12	
7	39550200	SILICONE GASKET	
8	42393200	HARNESS FOR WATER TANK	
9	41611002	HEATING ELEMENT 2,0 KW	
10	39590700	GASKET	
11	39589100	WATER TANK	
12	31017900	OVERFLOW PIPE	
13	39705901	INSULATION F WATER TANK 7600	
14	39723100	FUNNEL FOR WATER TANK	
15	30939400	SUPPORT	
16	31018600	ANGLE PIECE, DRILLED	
17	41407402	SAFETY THERMOSTAT 80°C	
18	094185	CODENSE RECOVERY UNION	
19	39470503	HOSE Ø9,5/Ø6	
20	39200215	HOSE CLAMP	
21	42393100	WATER PUMP, ASS.	
22	41533100	WATER PUMP	



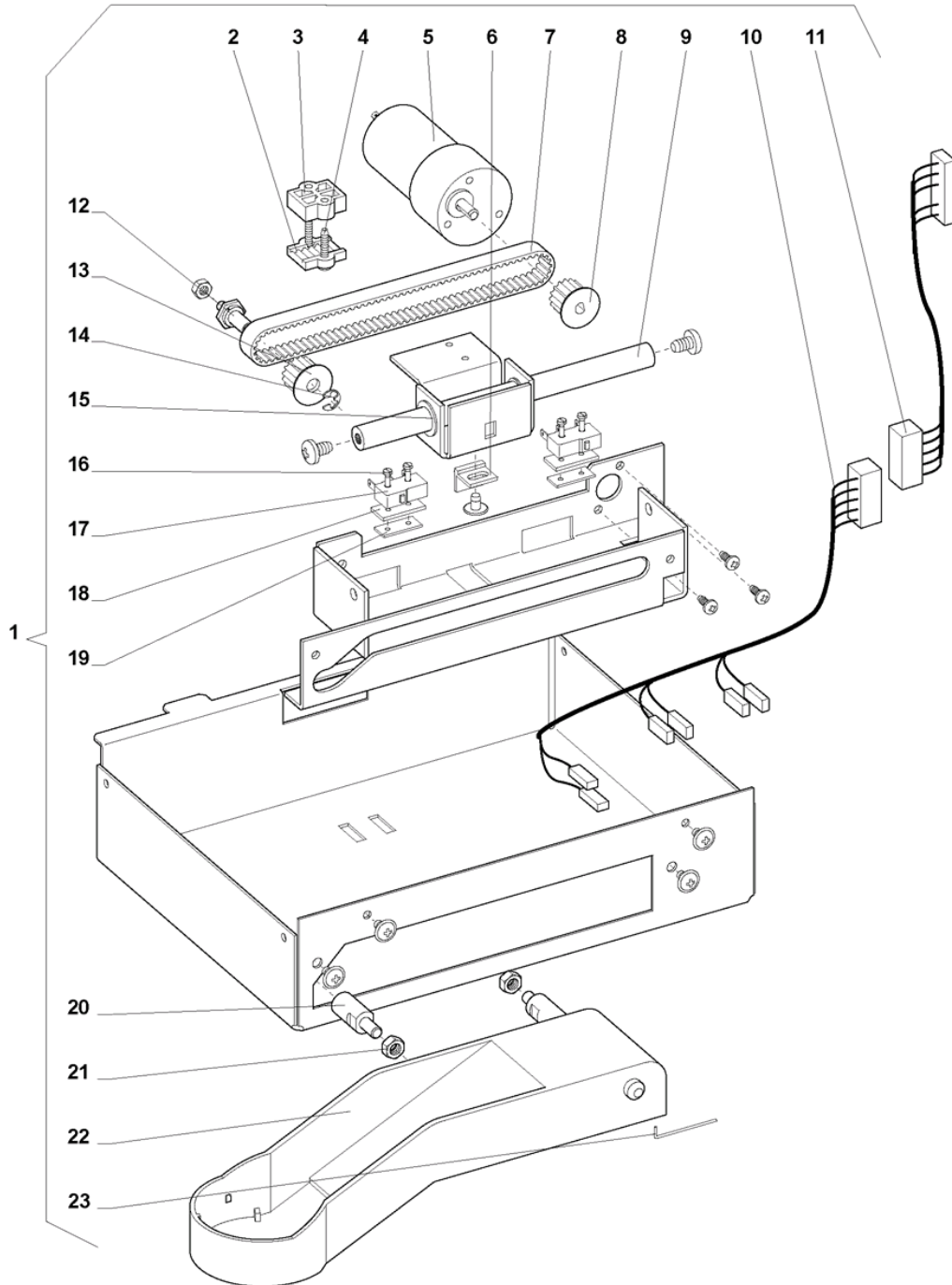
	Code	Description	Notes
1	31082200	SPOON/SUGAR UNIT W BUSH	
2	099609	COVER	
3	099397	MOTOR REDUCTOR 6G/1 MIN.	
4	096904	ELASTIC PLUG 1,5X8	
5	0V2949	SUGAR SPOUT PIN	
6	099608	SUPPORT	
7	096355	MICRO SWITCH	
8	099606	CAM	
9	099604	ROLLER	
10	099605	ROD	
11	099616	SPRING	
12	098356	SUGAR PIPE	
13	31119400	SUGAR SPOUT W BUSH	
14	091959	BENZING COLLAR DIAM MM4	
15	099607	BODY	
16	098352	STIRRING BARS EJECTING PIN	
17	098853	PASS-WIRE	
18	099610	LEVER	
19	099602	SPRING	
20	0V3666	STIRRER DISPENSER WIRING	
21	501587900	SPOON CHUTE	
22	508541700	SPOON GUIDE	
23	546533901	BUSHING F SUGAR HOSE	
24	39658700	SPIRAL SPRING	
25	39473902	HOSE PVC Ø15/Ø19	
26	547599200	BUSHING	
27	31065200S	SUGAR CANISTER	
28	39587300	OUTLET SPOUT	
29	39587400	OUTLET PIPE	
30	39586200	NUT FOR CANISTER	
31	31065100	FIXATION	
32	39633900	AUGER, FULL	
33	39593600	FELT WASHER	
34	39586300	SEALING BUSHING	
35	39721100	COUPLING 7XXX	
36	31065300	LID F CANISTER 4LT	
37	514500900	WEIGHT FOR SPOONS 92MM	
38	516521501	WEIGHT FOR SPOONS 100MM	
39	637547000	HARNESS, SUGAR DISPENSER	
40	41532701	INGREDIENT MOTOR	
41	39586600	MODULE FOR INGREDIENT MOTOR	
42	00005116	BUSHING W COLLAR	
43	516568902	SHAFT	
44	09206005	WASHER	
45	805567803	HINGE	



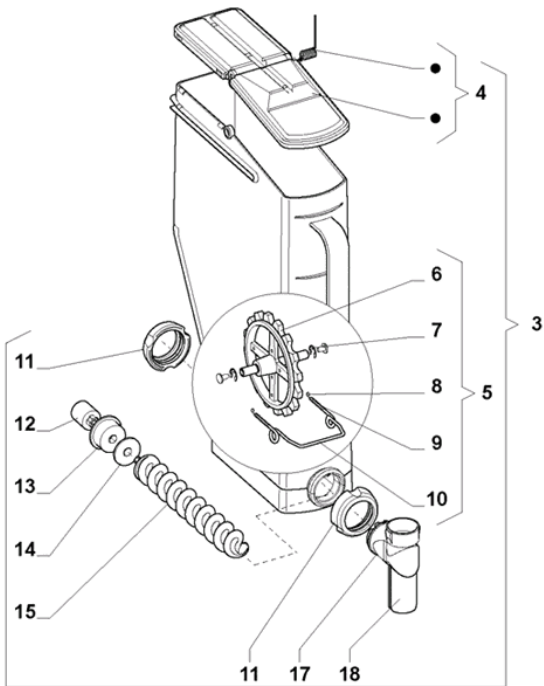
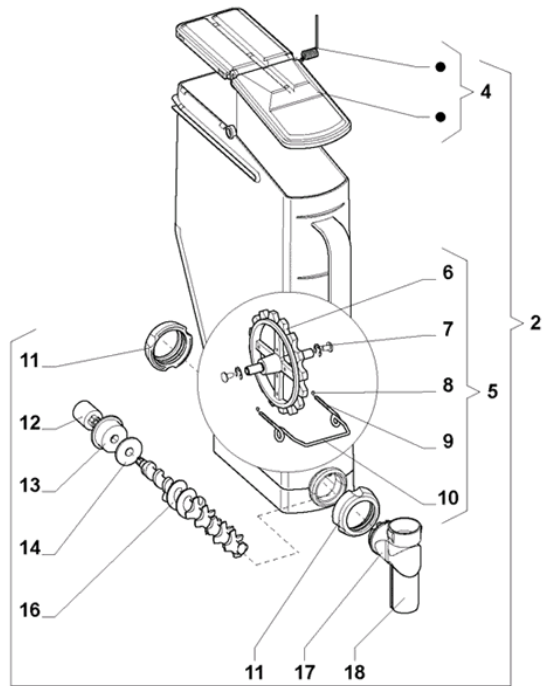
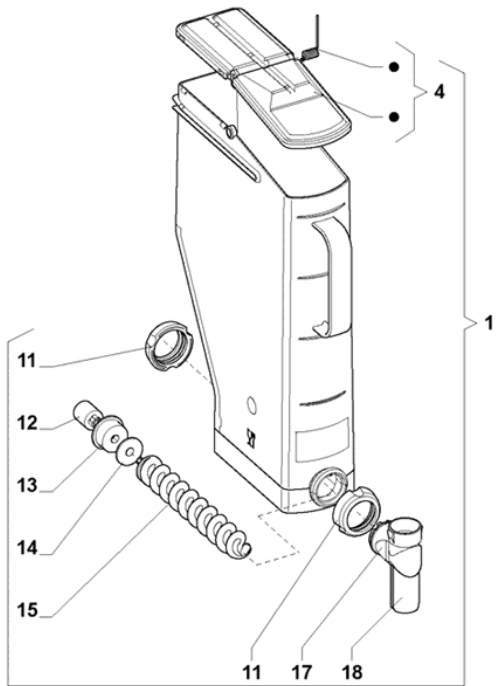
	Code	Description	Notes
1	31103900	CONSOLE F SUSPENSION IN	
2	31107200	INNER CONSOLE F SUSPENSION IN	
3	09020617	SCREW ST4,8 X 9,5MM	
4	39721900	GUIDE FOR LID	
5	39280000	GUIDE F CANISTER	
6	39588500	BLANKING MODULE F MOTOR 20MM	
7	42387600	HARNESS, INGREDIENT MOTORS IN	
8	42387500	HARNESS, INGREDIENT MOTORS	
9	41532700	INGREDIENT MOTOR	
10	39586600	MODULE FOR INGREDIENT MOTOR	
11	39588600	BLANKING MODULE F MOTOR 40MM	
12	30955500	UNDER TRAY, SMALL	
13	30955600	UNDER TRAY, LARGE	
14	39589300	BLANKING MODULE F MIX 40 MM	
15	39470705	HOSE Ø12, BLUE	
16	39470504	HOSE Ø13/Ø9	
17	39474809	NYLON HOSE Ø8/Ø6	
18	39591500	L-PIECE F MIXER VALVE	
19	39589500	T-PIECE F MIX VALVE	
20	75803500	IN-CRÈME KIT 7600	
21	097914	COFFEE CHOKE	
22	097953	POINTED NOZZLE	
23	39721800	HOLDER FOR OUTLET, IN	
24	31009000S	HOT WATER MODULE	
25	41532800	VALVE, 24VDC	
26	39470505	SILICONE HOSE	
27	39704200	BLANKING MODULE, HOT WATER	
28	09124315	RETAINING RING U15X1,0	
29	39704100	CONNECTING PIECE	
30	48840302	FIXTURE	
31	39589400	BLANKING MODULE F MIX 20 MM	
32	75802600	CIFRE RINGS 1-7	



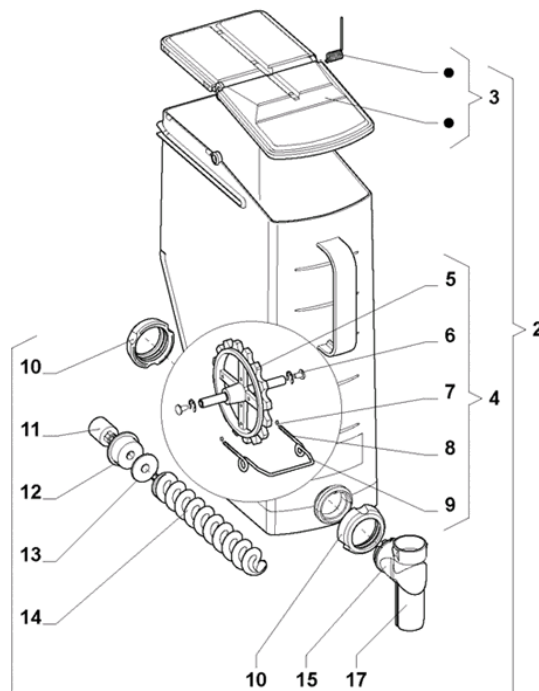
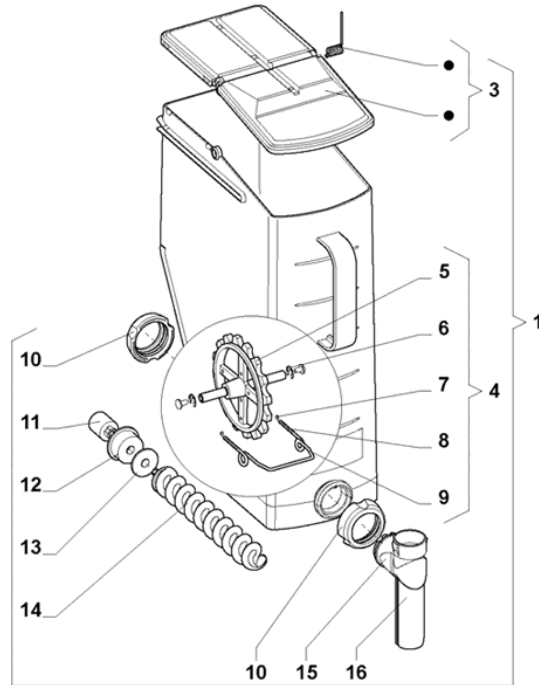
	Code	Description	Notes
1	30940100S	MIX. FUNNEL MODULE WHIP.WHEEL	
2	31051700S	MIX FUNNEL MODULE, 45GR OUTLET	
3	42386500	HARNESS, WHIPPER	
4	39590300	LOCKING RING F MIXING MOTOR	
5	41532800	VALVE, 24VDC	
6	41532900	WHIPPER MOTOR, 24VDC	
7	39589600	GASKET FOR MIXING VALVE	
8	39599000	SLINGER RING F WHIPPER MOTOR	
9	39594500	COMPRESSION GASKET	
10	39599400	SEALING FOR MIXING MOTOR	
11	39590400	POWDER TRAP, REAR PART	
12	39590500	POWDER TRAP, FRONT	
13	39719200	BLANKING MODULE F MIX, 80MM	
14	39719300	HOOD F MIXING FUNNEL	
15	39590001	WHIPPER WHEEL, BLUE	
16	39400641	O-RING 35X3, BLUE	
17	31083300	MIX. FUNNEL 45GR W LOCK. RING	
18	31083200	MIXING FUNNEL W LOCKING RING	
19	41533400	FAN	
20	39417002	TURNBUCKLE	
21	39701300	RUBBER BUSHING	
22	39400257	PLASTIC CAP NO.57	
23	30967603	SPIRAL HOSE W CONNECTION 430MM	
24	30967604	SPIRAL HOSE W CONNECTION 550MM	
25	30967605	SPIRAL HOSE W CONNECTION 500MM	
26	4988.00147	BUSH FOR EXTRACTION	
27	30967601	SPIRAL HOSE W CONNECTION 220MM	
28	30967602	SPIRAL HOSE W CONNECTION 350MM	
29	30967606	SPIRAL HOSE W CONNECTION 150MM	
30	39658400	SPIRAL HOSE Ø30/25	
31	39590600	COUPLING PIECE FOR EXTRACTION	



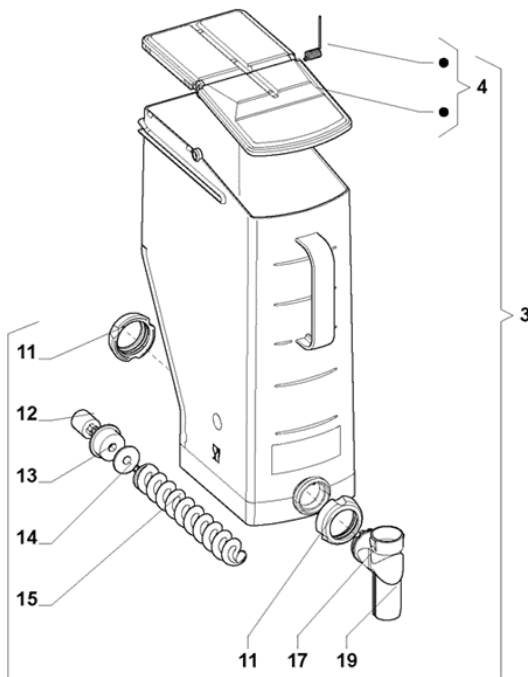
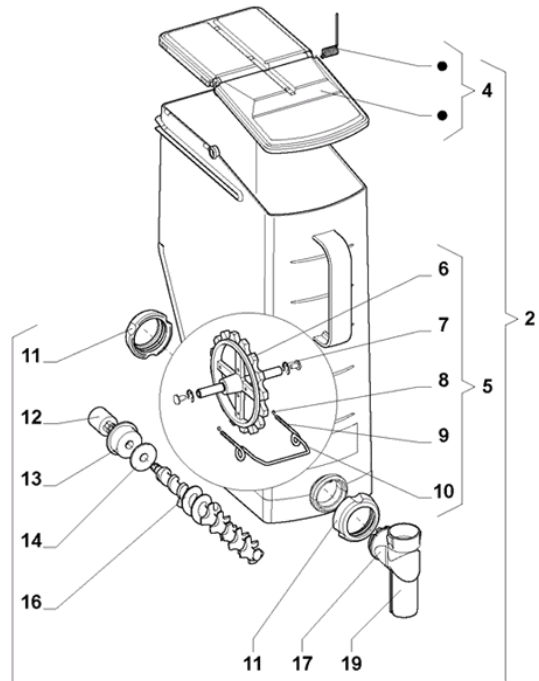
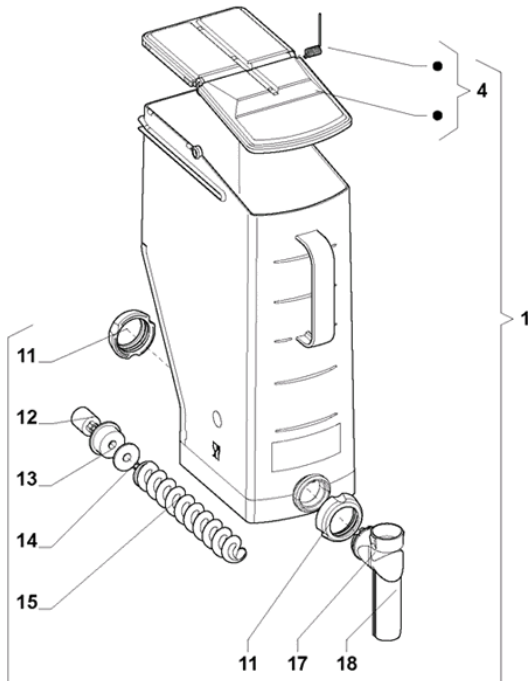
	Code	Description	Notes
1	30957200S	BRANCH PIPE, MOUNT.	
2	39535600	HOLDER F BELT	
3	39542300	INTERMEDIARY PIECE F BELT	
4	09026606	SCREW GFPX M3X16	
5	41529624	MOTOR	
6	39542700	ACTIVATING ANGLE	
7	39535804	TOOTHED BELT	
8	39557800	WHEEL, TOOTHED BELT Z=16, Ø5	
9	39641400	SHAFT F. DRIVE	
10	42388700	HARNESS, BRANCH PIPE+MOTOR	
11	42386900	HARNESS, BRANCH PIPE	
12	39641200	SHAFT F. PULLEY	
13	39703200	PULLEY F TOOTHED BELT Z=16, Ø6	
14	09124110	RETAINING RING	
15	39436801	SLIDE BEARING Ø10	
16	09004002	SCREW M2X12	
17	41305700	MICRO SWITCH	
18	39637700	ADJUST.PIECE F MICRO SWITCH	
19	30448800	THREADING PIECE	
20	39641500	SLIDING PIN	
21	09083225	NUT M5	
22	31084800	HOLDER FOR MIXER	
23	39642100	LOCKING SPRING	



	Code	Description	Notes
1	30966200S	INGREDIENT CANISTER 4 LT	
2	31000500S	INGREDIENT CANISTER 4 LT	
3	30934700S	INGREDIENT CANISTER 4 LT	
4	30948700S	LID F CANISTER 4 LT	
5	30949100S	STIRRING WHEEL, MOUNT.	
6	39519700	STIRRING WHEEL	
7	09124306	RETAINING RING	
8	29595800	STIRRING EYE	
9	29609900	SPRING	
10	39271900	BRACE	
11	39586200	NUT FOR CANISTER	
12	39721100	COUPLING 7XXX	
13	39586300	SEALING BUSHING	
14	39593600	FELT WASHER	
15	39633900	AUGER, FULL	
16	39634000	AUGER, REDUCED	
17	39587300	OUTLET SPOUT	
18	39587400	OUTLET PIPE	



	Code	Description	Notes
1	31000400S	INGREDIENT CANISTER 6 LT	
2	30934800S	INGREDIENT CANISTER 6 LT	
3	30948800S	LID F CANISTER 6 LT	
4	30949200S	STIRRING WHEEL, MOUNT. 6 LT	
5	39519700	STIRRING WHEEL	
6	09124306	RETAINING RING	
7	29595800	STIRRING EYE	
8	29609900	SPRING	
9	39271900	BRACE	
10	39586200	NUT FOR CANISTER	
11	39721100	COUPLING 7XXX	
12	39586300	SEALING BUSHING	
13	39593600	FELT WASHER	
14	39633900	AUGER, FULL	
15	39587300	OUTLET SPOUT	
16	39591600	OUTLET PIPE, LONG	
17	39587400	OUTLET PIPE	



	Code	Description	Notes
1	31032800S	INGREDIENT CANISTER 6 LT	
2	31002400S	INGREDIENT CANISTER 6 LT	
3	31002300S	INGREDIENT CANISTER 6 LT	
4	30948800S	LID F CANISTER 6 LT	
5	30949200S	STIRRING WHEEL, MOUNT. 6 LT	
6	39519700	STIRRING WHEEL	
7	09124306	RETAINING RING	
8	29595800	STIRRING EYE	
9	29609900	SPRING	
10	39271900	BRACE	
11	39586200	NUT FOR CANISTER	
12	39721100	COUPLING 7XXX	
13	39586300	SEALING BUSHING	
14	39593600	FELT WASHER	
15	39633900	AUGER, FULL	
16	39634000	AUGER, REDUCED	
17	39587300	OUTLET SPOUT	
18	39591600	OUTLET PIPE, LONG	
19	39587400	OUTLET PIPE	