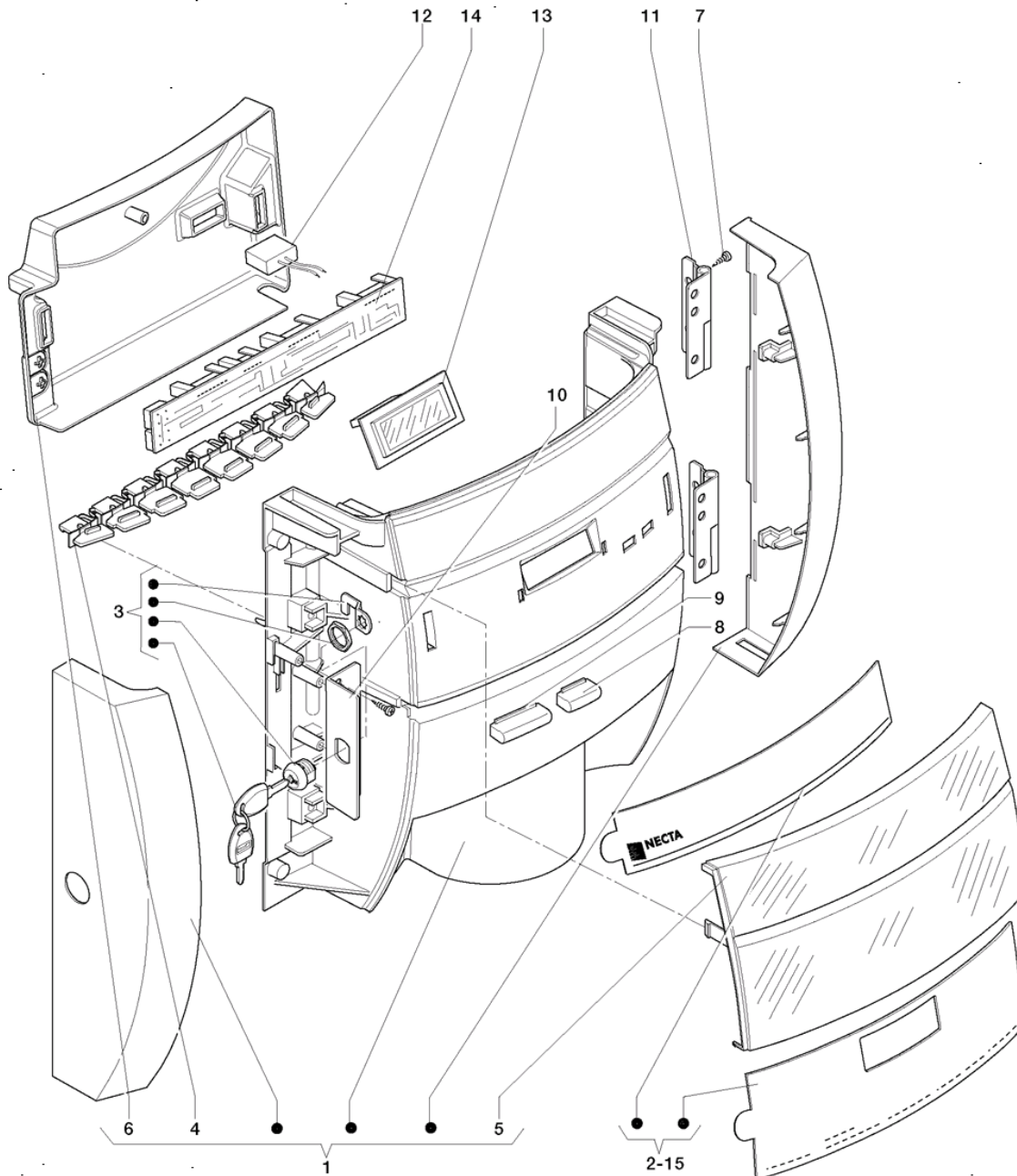
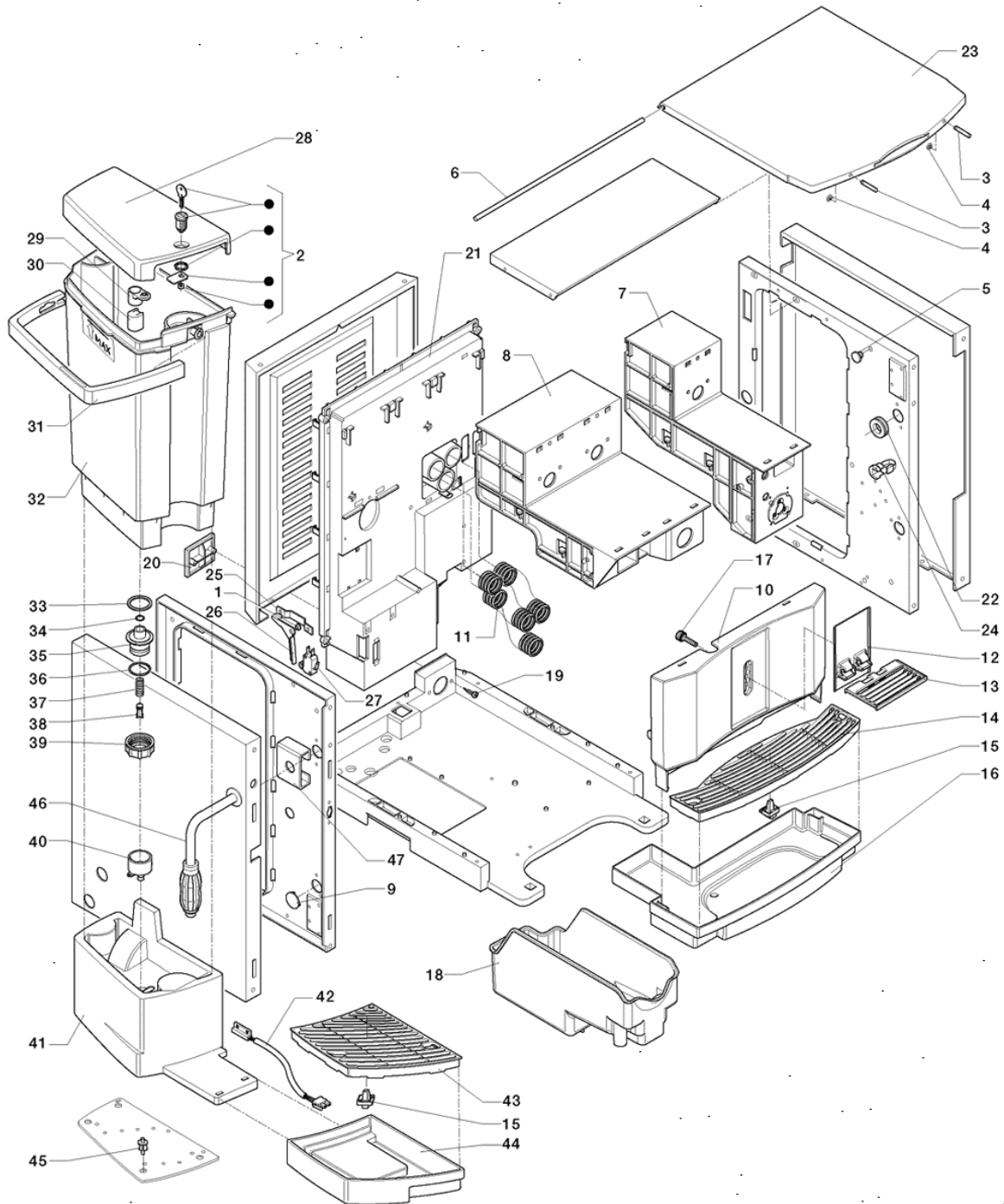


KORO - FRESH-BREW

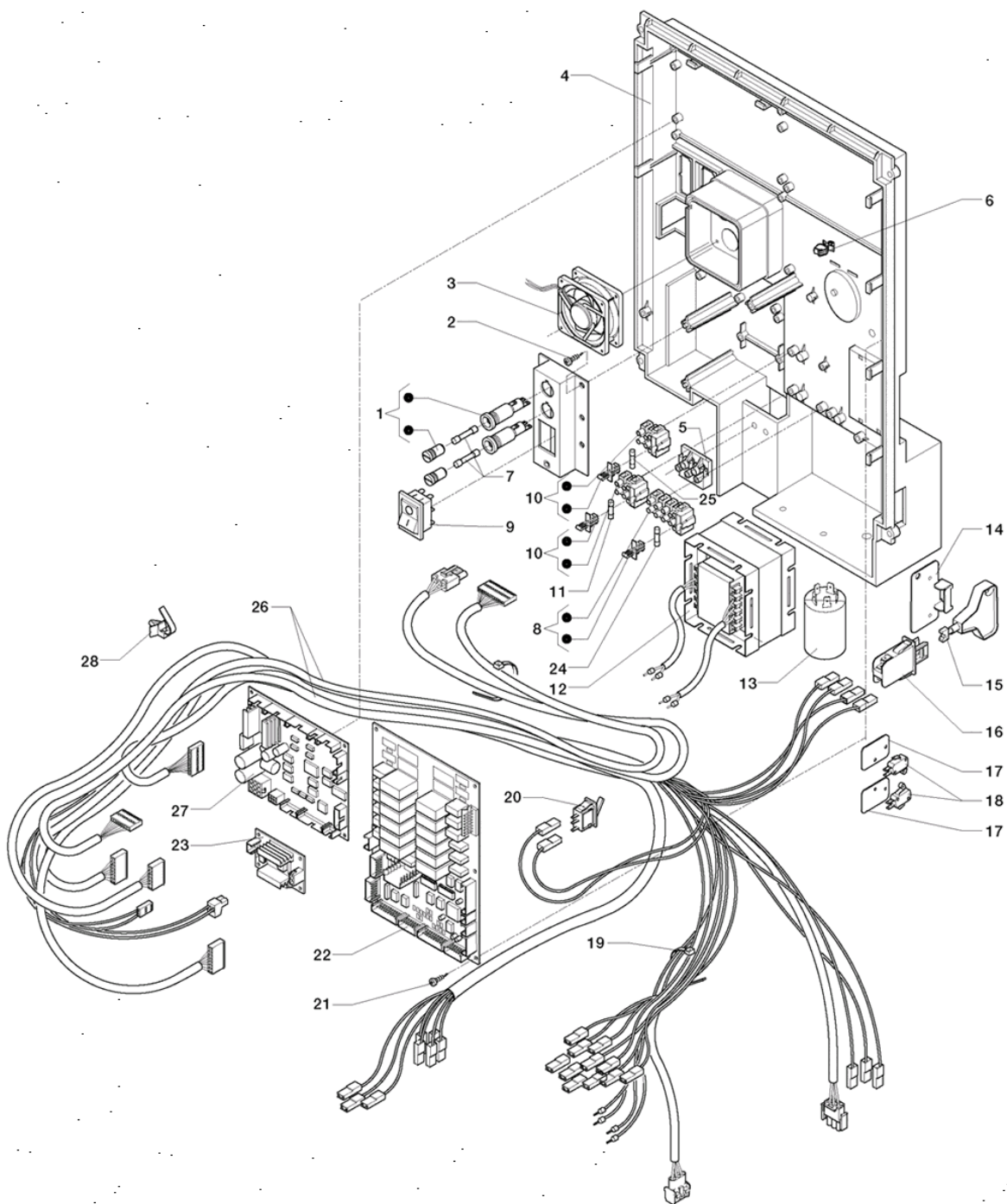


	Code	Description	Notes
1	251877	DOOR	
2	252096	PLUS FB LOGOTYPE-PRODUCT LABEL	
3	252137	DOOR LOCK	
4	251785	KEYBOARD REFERENCE	
5	251783	DOOR GLASS	
6	251784	DOOR COVERING	
7	987612	EJOT-PT-SCREW 4X12	
8	251787	SINGLE KEY	
9	251786	DOUBLE KEY	
10	251834	LOCKSET PLATE	
11	251793	HINGE	
12	251862	IMPULSE COUNTER	
13	251653	DISPLAY 2X16 BLUE	
14	251865	OPERATOR INTERFACE BOARD	
15	252095	FB LOGOTYPE-PRODUCT LABEL	

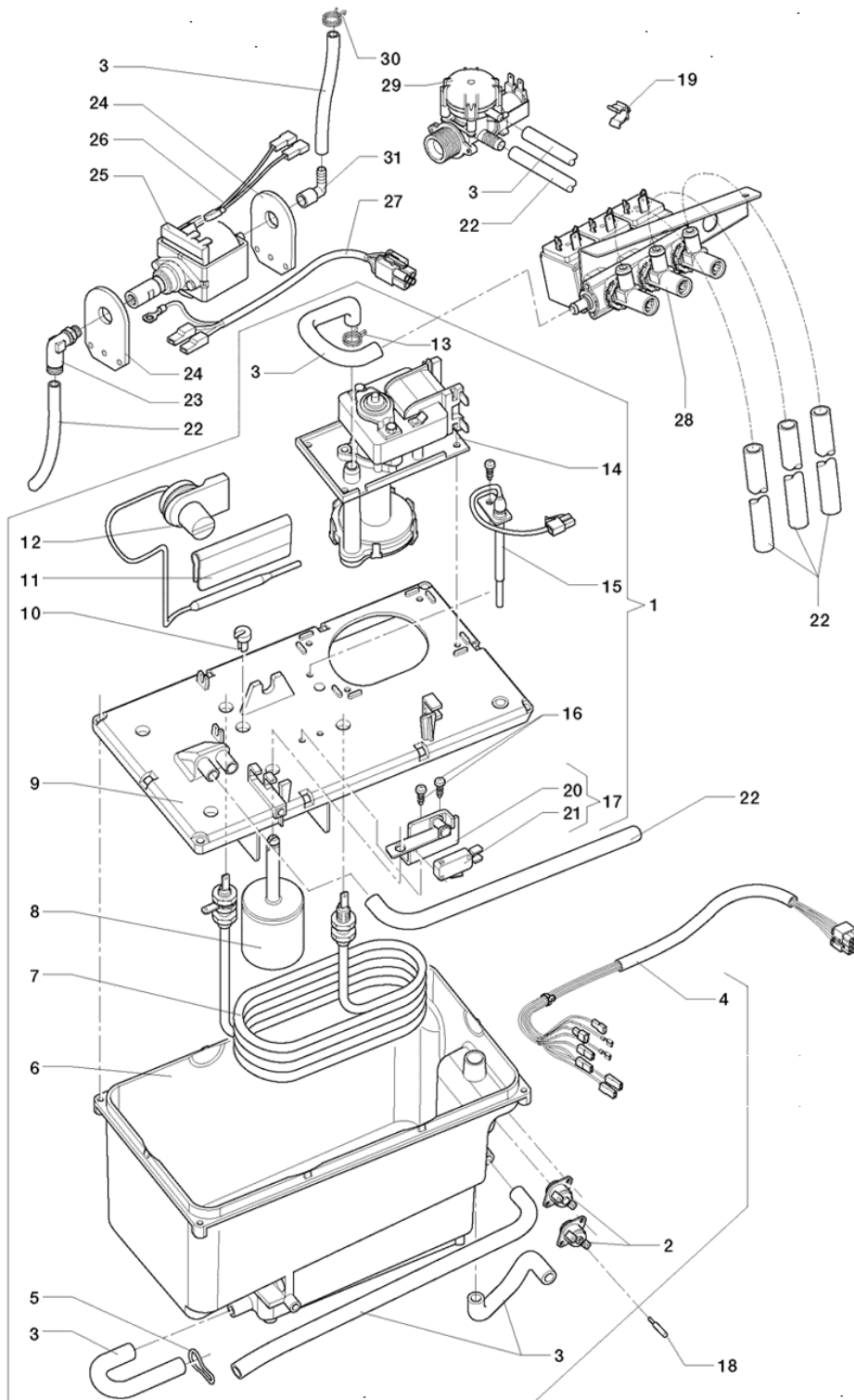


	Code	Description	Notes
1	252145	SPACER	
2	251916	LOCK 'MERONI'	
3	251845	PIN	
4	091737	CIRCLIP DIN 6799	
5	251850	BASE FOOT	
6	251835	PIN	
7	251800	MIXER SUPPORT BRACKET	
8	251822	F.B. MOTOR.DOSE-METER BRACKET	
9	0V4199	PLUG	
10	251792	DISPENSER NOOK BACK PANEL	
11	252097	BLACK PVC PIPE D.25(A METER)	
12	251790	CUP TIPPER SUPPORT	
13	251791	CUP TIPPER	
14	251789	LIQUID DISCHARGE TRAY COVER GRID	
15	251851	FLOAT	
16	251788	LIQUID DISCHARGE TRAY	
17	096977	KNURL	
18	251819	F.B. COFFEE GROUNDS TRAY	
19	987612	EJOT-PT-SCREW 4X12	
20	251813	WATER SUPPLY CIRCUIT STOPPER	
21	251820	ELECTRIC COMPONENT PANEL	
22	090020	WHIPPING MM 16	
23	251966	F.B.- IN MACHINE TOP	
24	251857	CABLE FASTENERS	
25	251965	SWITCH REFERENCE PROTECTION	
26	251964	SWITCH REFERENCE	
27	251861	MICRO-SWITCH	
28	251839	TANK COVER	
29	251827	FLOAT CAP	
30	251876	MAGNET FLOAT	
31	251842	TANK HANDLE	
32	251838	TANK	
33	099480	WASHER	
34	090421	GASKET	
35	099479	FLANGE	
36	095624	GASKET O-RING 116 EP851	
37	099478	SPRING	
38	099477	LITTLE PLUNGER	
39	095849	CONTAINER RING NUT	
40	099481	FASTENING	
41	251841	(MOUNTING) BASE	
42	251860	TANK FEELER	
43	251840	SELF-FEEDING GRID	
44	251837	TRAY	
45	093823	NOZZLE FASTENER DOLLY BLOCK	
46	251907	SIDE-DISPENSING NOZZLE	

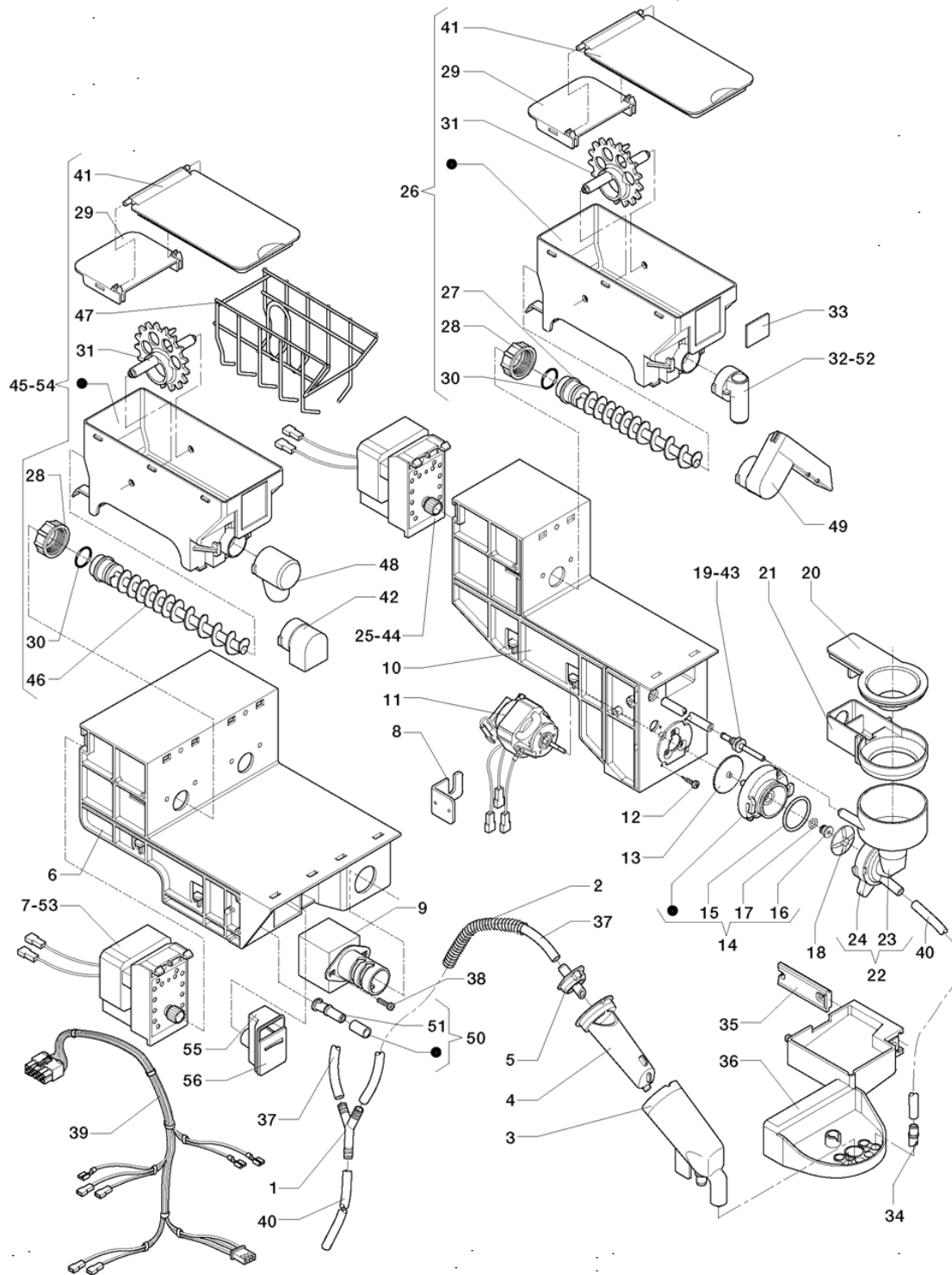
	Code	Description	Notes
47	251899	DISPENSING NOZZLE SUPPORT	



	Code	Description	Notes
1	251863	FUSE HOLDER	
2	987612	EJOT-PT-SCREW 4X12	
3	251867	12 V DC FAN	
4	251820	ELECTRIC COMPONENT PANEL	
5	251856	TERMINAL STRIP	
6	098166	WIRE-FIXING	
7	095636	FUSE 15 A	
8	098793	TERMINAL BOARD WITH FUSE-HOLDER	
9	251858	TWO-POLE SWITCH	
10	097241	3-POLE TERMINAL BOARD W/CARRIER	
11	097103	FUSE 1,25A 5X20 DELAYED ACTION	
12	251885	G45/25-15 TRANSFORMER	
13	0V3512	NET FILTER	
14	251796	DOOR SWITCH CARRIER PLATE	
15	0V1654	SWITCH KEY	
16	097796	SWITCH	
17	090681	INSULATING DISK	
18	251861	MICRO-SWITCH	
19	090148	CLIP	
20	0V2378	SWITCH	
21	097879	NICKELPLATED SCREW	
22	251864	CPU/ACTUATOR BOARD	
23	0V2143	BOILER CONTROL BOARD	
24	096922	FUSE 5X20 800M AMP	
25	097809	FUSE 3,15 AMP. DELAYED ACTION	
26	251886	F.B. GENERAL WIRING	
27	251843	F.B. CONTROL BOARD	
28	097851	CABLE FASTENING	

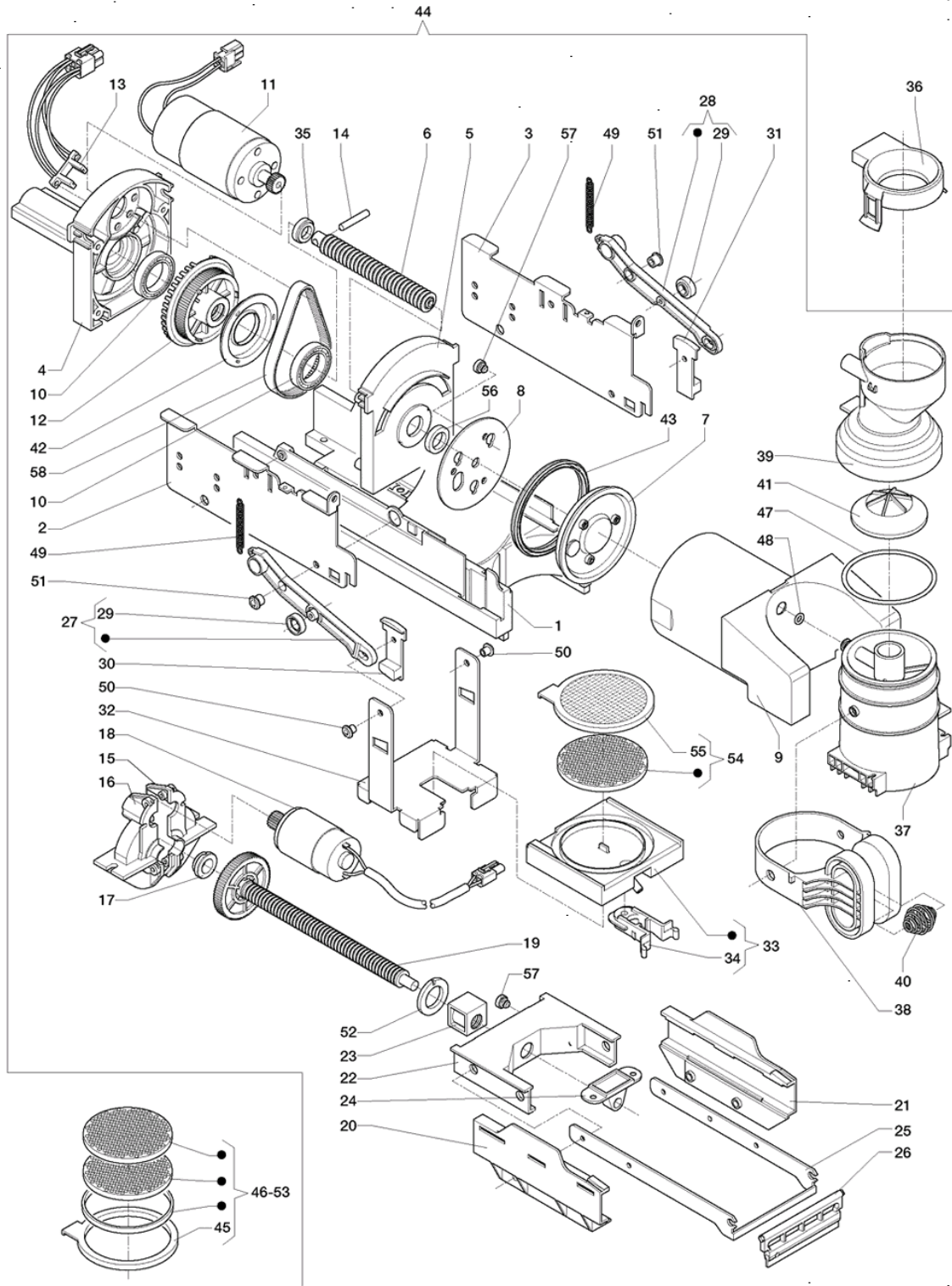


	Code	Description	Notes
1	251897	COMPL. SOLUBLE POWDER BOILER	
2	251890	ANTI-BOIL THERMOSTAT	
3	097512	SILICONE HOSE 6X12 BROWN	
4	251887	F.B. BOILER BRACKET WIRING	
5	092703	TUBE CLAMP	
6	251803	BOILER TANK	
7	251884	2200 WATT RESISTANCE	
8	251810	FLOAT	
9	251804	BOILER COVER	
10	099844	GASKET	
11	251824	THERMOSTAT BULB CARRIER	
12	251891	BULB THERMOSTAT	
13	095515	HOSE CLIP DIAM 14	
14	251823	CENTRIFUGAL PUMP	
15	251892	PROBE	
16	987612	EJOT-PT-SCREW 4X12	
17	251896	LEVEL MONITORING SYSTEM	
18	0V2074	THERMOSTAT ACTUATOR	
19	098484	HOSE FIXING	
20	251878	MICRO-SWITCH CARRIER PLATE	
21	251889	SAIA MICRO-SWITCH	
22	097511	SILICONE HOSE 6X9 BROWN	
23	251914	90° MALE RUBBER HOLDER	
24	0V4275	POMPE SUPPORT	
25	099893	PUMP	
26	0V1301	110 DEGREES THERMAL OVERLOAD	
27	251904	TANK PUMP WIRING	
28	251894	3-ELECTROVALVE UNIT	
29	251895	WATER INLET ELECTROVALVE	
30	097122	HOSE CLIP	
31	252021	PIPETTE	



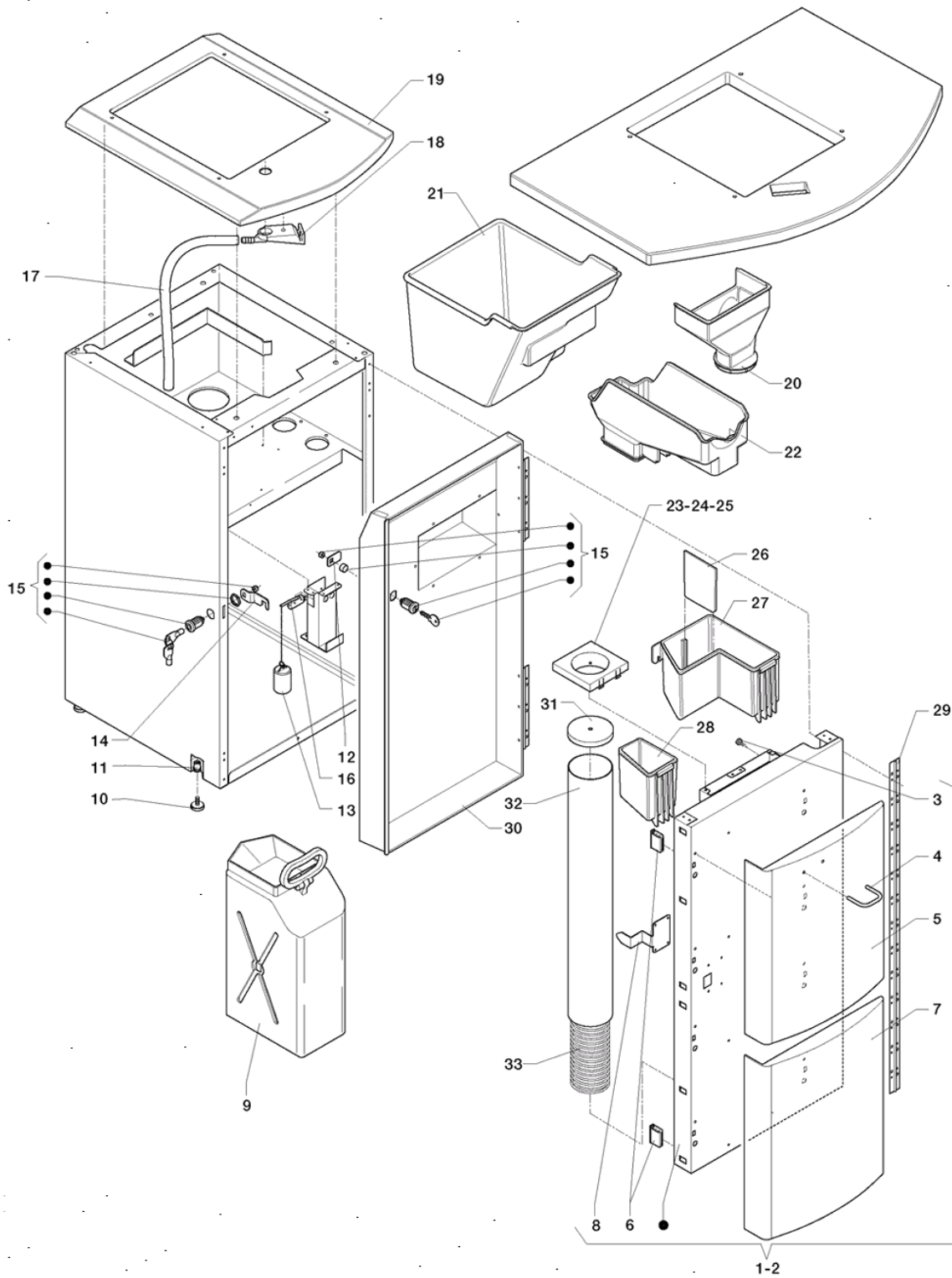
	Code	Description	Notes
1	251969	'Y' FLOW DEFLECTOR	
2	252025	PIPE GUIDE SPIRAL	
3	251805	F.B. END NOZZLE	
4	251806	F.B. DOSING NOZZLE	
5	251815	F.B. NOZZLE CAP	
6	251822	F.B. MOTOR.DOSE-METER BRACKET	
7	251893	MOT.DOSE-METER 437REV/MIN.24V DC	
8	251880	F.B. NOZZLE SUPPORT	
9	251906	DIAM. 6X9 TUBE GRIPPER	
10	251800	MIXER SUPPORT BRACKET	
11	098808	MOTORMIXER	
12	099773	SCREW	
13	099889	DISK	
14	251869	MIXER FLANGE	
15	094540	GASKET O-RING 3125	
16	097917	BUSH SEAL	
17	099880	GASKET	
18	097916	MIXER VENTILATOR	
19	251852	DIAM. 3,4 MIXER NOZZLE	
20	251767	SUCTION TRAY COVER	
21	251768	SUCTION TRAY	
22	251874	MIXER CONVEYOR	
23	251769	MIXER CONVEYOR	
24	298003	MIXER LOCKING RING NUT	
25	251866	MOTOR.DOSE-METER 78 REV/MIN.	
26	251875	COMPL. STD. METER.SCREW CONTAIN.	
27	251811	STANDARD METERING SCREW	
28	095849	CONTAINER RING NUT	
29	251967	FIXED COVERING	
30	251962	O-RING 14	
31	251963	WHEEL FOR CANISTER	
32	098939	CANISTER-OPENING	
33	097502	NAMEPLATE GROUP CONTAINER INSTANT P	
34	251799	SOLUBLE POWDER NOZZLE	
35	251797	NOZZLE CARRIER PLATE GUIDE	
36	251798	NOZZLE CARRIER PLATE	
37	097511	SILICONE HOSE 6X9 BROWN	
38	987612	EJOT-PT-SCREW 4X12	
39	251888	DOSE-METER SUPP.BRACKET WIRING	
40	097510	SILICONE HOSE 5X9 BROWN	
41	251968	EXTENDABLE COVER	
42	096868	POWDER FUNNEL	
43	099931	NOZZLE D.5	
44	252030	MOTORDOSER 52 G/MIN 230V-50HZ	
45	251898	LONG VAR.-PIT. METERING-SCR. CONTAINER	
46	251812	LONG VAR.-PITCH METERING SCREW	

	Code	Description	Notes
47	252117	CANISTER SCRAPER	
48	251814	F.B. CONTAINER OPENING	
49	252026	POWDER RIGHT CONVEYOR	
50	252118	FRESH BREW WATER NOZZLE	
51	298000	SILICONE SPOUT	
52	252029	POWDER SHORT PIPETTE	
53	252031	MOTORDOSER 84 G/MIN WITH INSERT	
54	252032	LONG VAR.-PIT. METERING-SCR. CONTAINER	
55	298001	POWDER TRAP REAR PART	
56	298002	POWDER TRAP FRONT PART	

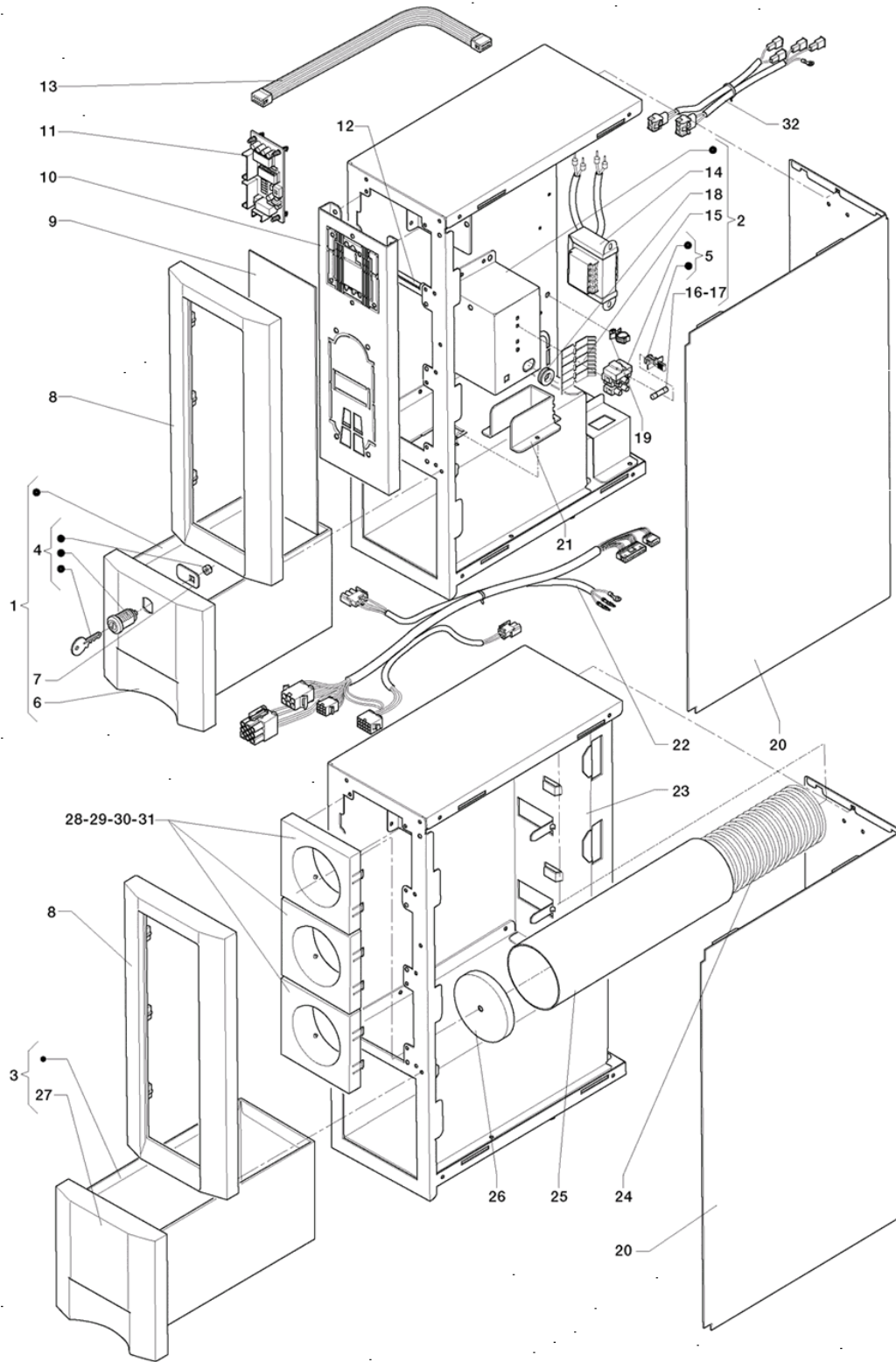


	Code	Description	Notes
1	298004	BASE PLATE WITH GUIDES	
2	298005	HOUSING BREWER LEFT	
3	298006	HOUSING BREWER RIGHT	
4	298007	MOTOR SUPPORT	
5	298008	BEARING NUT CYLINDER SIDE	
6	298009	SPINDLE 16X4 12 GRAD	
7	298010	PISTON	
8	298011	PISTON PLATE	
9	298012	PRESS CYLINDER	
10	298013	BALL BEARING	
11	298014	MOTOR SPINDLE ASSEMBLY	
12	298015	GEAR 16X4	
13	298016	PHOTOCELL	
14	298017	ROTATION BLOCKING PIN	
15	298018	HOUSING SLEDGE DRIVE RIGHT	
16	298019	HOUSING SLEDGE DRIVE LEFT	
17	298020	BEARING GEAR SLEDGE	
18	298021	MOTOR SCRAPER ASSEMBLY	
19	298022	SPINDLE SLEDGE GEAR ASSEMBLY	
20	298023	LEFT SLEDGE	
21	298024	RIGHT SLEDGE	
22	298025	CENTRAL SLEDGE	
23	298026	SLEDGE NUT	
24	298027	BEARING SPINDLE END	
25	298028	SCRAPER ARM	
26	298029	SCRAPER ASSEMBLY	
27	298030	LEFT LEVER	
28	298031	RIGHT LEVER	
29	298032	WHEEL LEVER	
30	298033	CLOSING NOTCH LEFT	
31	298034	CLOSING NOTCH RIGHT	
32	298035	LEVER FILTER PLATE	
33	298036	FILTER-SUPPORT	
34	298037	SPRING FILTER SUPPORT	
35	298038	SPINDLE THRUST RING	
36	298071	TOP COVER	
37	298040	BREWING CHAMBER	
38	298041	GRIP-BREW CYLINDER	
39	298042	MIXER CONVEYOR	
40	298043	HANDLE SPRING	
41	298044	CO2 INLET HARNESS ASSEMBLY	
42	298045	MAINGEAR BELT GUIDE	
43	298046	PISTON GASKET	
44	298070	SIGMA BREWER GROUP FOR COFFEE	
45	298069	METAL FILTER SEAL	
46	298068	METAL FILTER TEA ASSEMBLY	

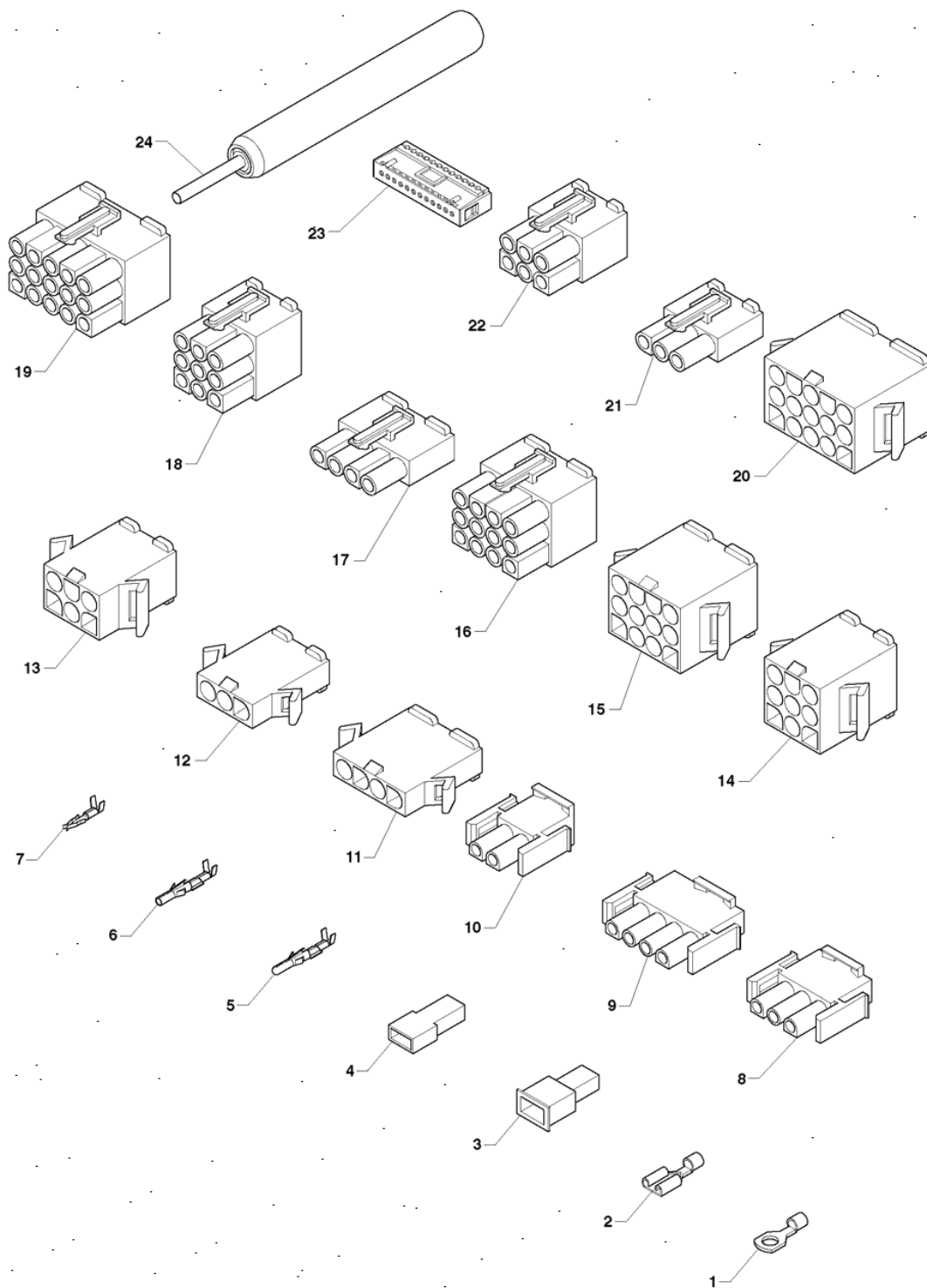
	Code	Description	Notes
47	298050	O-RING FOR BREWING CHAMBER	
48	298051	PRESS GASKET	
49	298052	LEVER SPRING	
50	298053	LEVER NUT M4	
51	298054	LEVER NUT M5	
52	298055	THRUST RING SLEDGE	
53	298067	METAL FILTER COFFEE ASSEMBLY	
54	298066	COMPL. PLASTIC FILTER	
55	298065	FILTER WITH SEAL FOR COFFEE	
56	298064	BUMPER SPINDLE	
57	298060	BUMPER STOP	
58	298063	GEAR BELT TYPE POWERGRIP	



	Code	Description	Notes
1	252051	ASSEMBLY CABINET DOOR WITH HANDLE	
2	0V3000	CABINET DOOR (BLACK)	
3	097879	NICKELPLATED SCREW	
4	250723	CABINET HANDLE	
5	250724	CABINET COVER - BLACK -FOR HANDLE	
6	250182	MAGNET	
7	0V2984	CABINET DOOR TOP (BLACK)	
8	0V2537	BOLT HOOK	
9	0V2656	LIQUID WASTE COLLECTION CONTAINER	
10	0V2566	FOOT	
11	250037	THREADED INSERT M6	
12	0V3460	LATCH BOLT	
13	094294	FLOAT	
14	0V2569	BOLT HOOK	
15	098303	LOCK TYPE 'N'	
16	093308	MICROSWITCH SERIE RLL/D	
17	093628	HOSE VIPLA TRANSPARENT DIAM MM 14X1	
18	0V4213	RUBBER PIECE HOLDER	
19	252041	SUB-CONSOLE SPACER	
20	252039	COFFEE GROUNDS DISCHARGE	
21	252038	COFFEE GROUNDS TRAY	
22	252040	FRESH-BREW GROUNDS-DRAIN	
23	252046	CUP COVER 70-71	
24	252047	CUP COVER 57-58	
25	252048	CUP COVER 73-74	
26	252049	CONTAINER SEPARATOR	
27	252044	SUGAR CONTAINER	
28	252043	STIRRING BAR CONTAINER	
29	0V2996	CABINET DOOR HINGE (BLACK)	
30	252050	CABINET MIDDLE DOOR	
31	252042	CUP PUSHER DISK	
32	252045	CUP COLUMN	
33	093611	SERVICE TABLE SPRING	



	Code	Description	Notes
1	252081	COIN-BOX	
2	252082	TRANSFORMER	
3	252071	SUGAR/STIRRER DRAWER	
4	098303	LOCK TYPE 'N'	
5	097241	3-POLE TERMINAL BOARD W/CARRIER	
6	252139	COINBOX MOLDING	
7	252138	LATCH	
8	252069	PAY-SYSTEM MOLDING	
9	252078	FRONT LABEL	
10	252076	PAYMENT SUPPORT	
11	0V2750	INTERFACE CARD	
12	252066	REINFORCEMENT	
13	252079	COIN VERIFIER EXTENSION WIRING	
14	095708	TRANSFORMER 220/24/28V 50W	
15	097242	SUB-TERMINAL BOARD	
16	0V0456	FUSE 160MA	
17	097097	FUSE 2 AMP.5X20 DELAYED ACT	
18	090021	WHIPPING DIAM 10,5 MM	
19	098166	WIRE-FIXING	
20	252064	MODULE COVER	
21	252077	COIN CHUTE	
22	252080	CASHLESS PAYMENT WIRING	
23	252065	TUBE SUPPORTING PLATE	
24	252067	CUPS THRUST SPRING	
25	252068	CUP COLUMN	
26	252042	CUP PUSHER DISK	
27	252070	DRAWER MOLDING	
28	252047	CUP COVER 57-58	
29	252046	CUP COVER 70-71	
30	252048	CUP COVER 73-74	
31	252072	CUP COVER 78/79	
32	252140	PAYMENT WIRING	



	Code	Description	Notes
1	090957	EYELET TERMINAL	
2	090959	FASTON W/O TONGUE	
3	091192	FASTON COVER	
4	090247	FEMALE FASTON COVER	
5	095955	TERMINAL MALE	
6	096136	TERMINAL FEMALE	
7	094405	TERMINAL FEMALE 2,5	
8	094954	FEMALE HOLDER CONNECTOR 3-WAYS	
9	098062	4-WAY CONNECTOR MATE-N-LOK AMP	
10	094955	FEMALE HOLDER CONNECTOR 2-WAYS	
11	0V0809	4-PIN CONNECTOR/P MOLEX 3191	
12	0V0808	3-PIN CONNECTOR/P MOLEX 3191	
13	0V0810	6-PIN CONNECTOR/P MOLEX 3191	
14	0V0811	9-PIN CONNECTOR/P MOLEX 3191	
15	0V0812	12-PIN CONNECTOR/P MOLEX 3191	
16	0V0818	12-PIN CONNECTOR/P MOLEX 3191	
17	0V0815	4-PIN CONNECTOR/P MOLEX 3191	
18	0V0817	9-PIN CONNECTOR/P MOLEX 3191	
19	0V0819	15-PIN CONNECTOR/P MOLEX 3191	
20	0V0813	15-PIN CONNECTOR/P MOLEX 3191	
21	0V0814	3-PIN CONNECTOR/P MOLEX 3191	
22	0V0816	6-PIN CONNECTOR/P MOLEX 3191	
23	094961	FEMALE HOLDER CONNECTOR P.I. 12-W	
24	0V0820	MOLEX CONTACT PULLER	