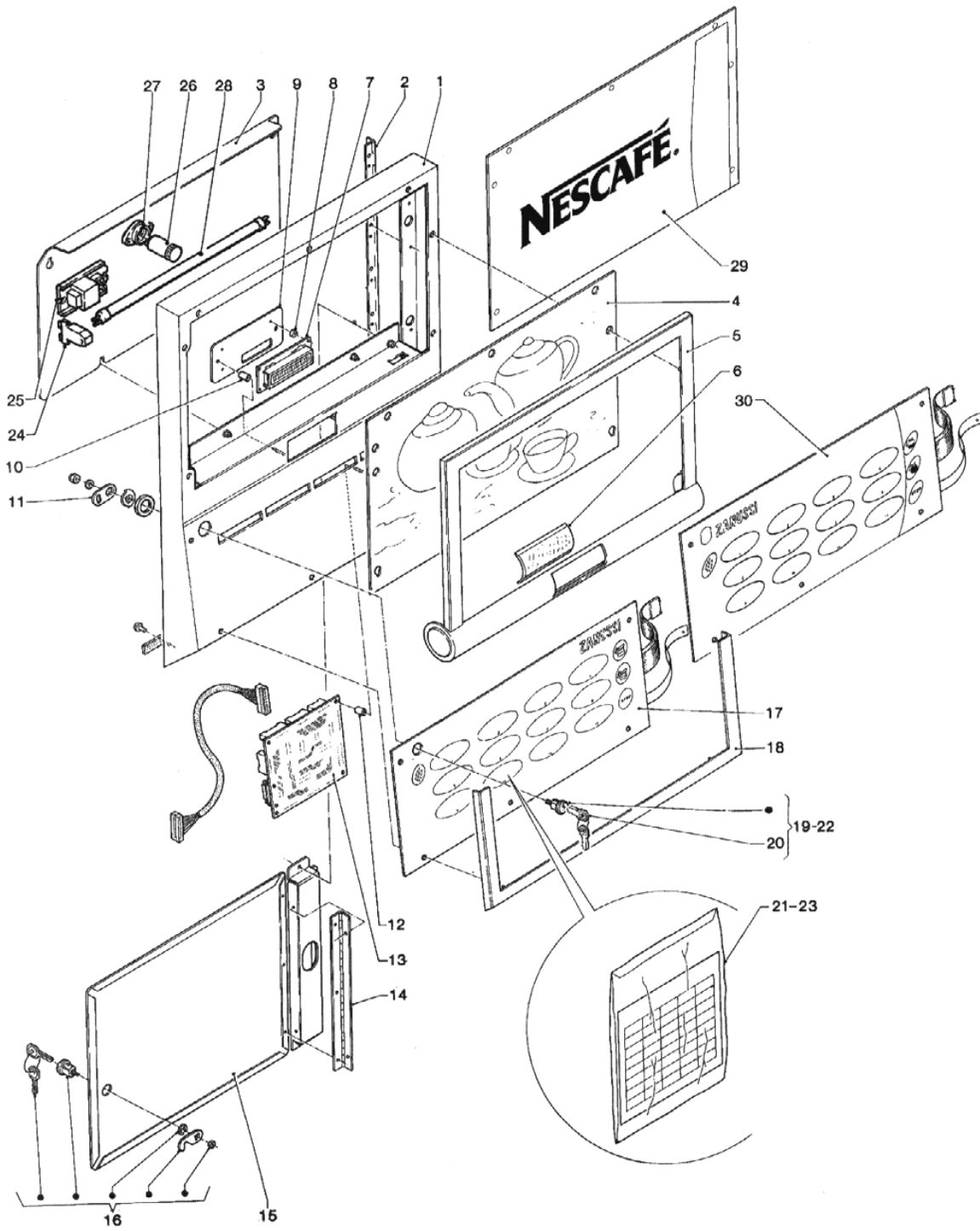
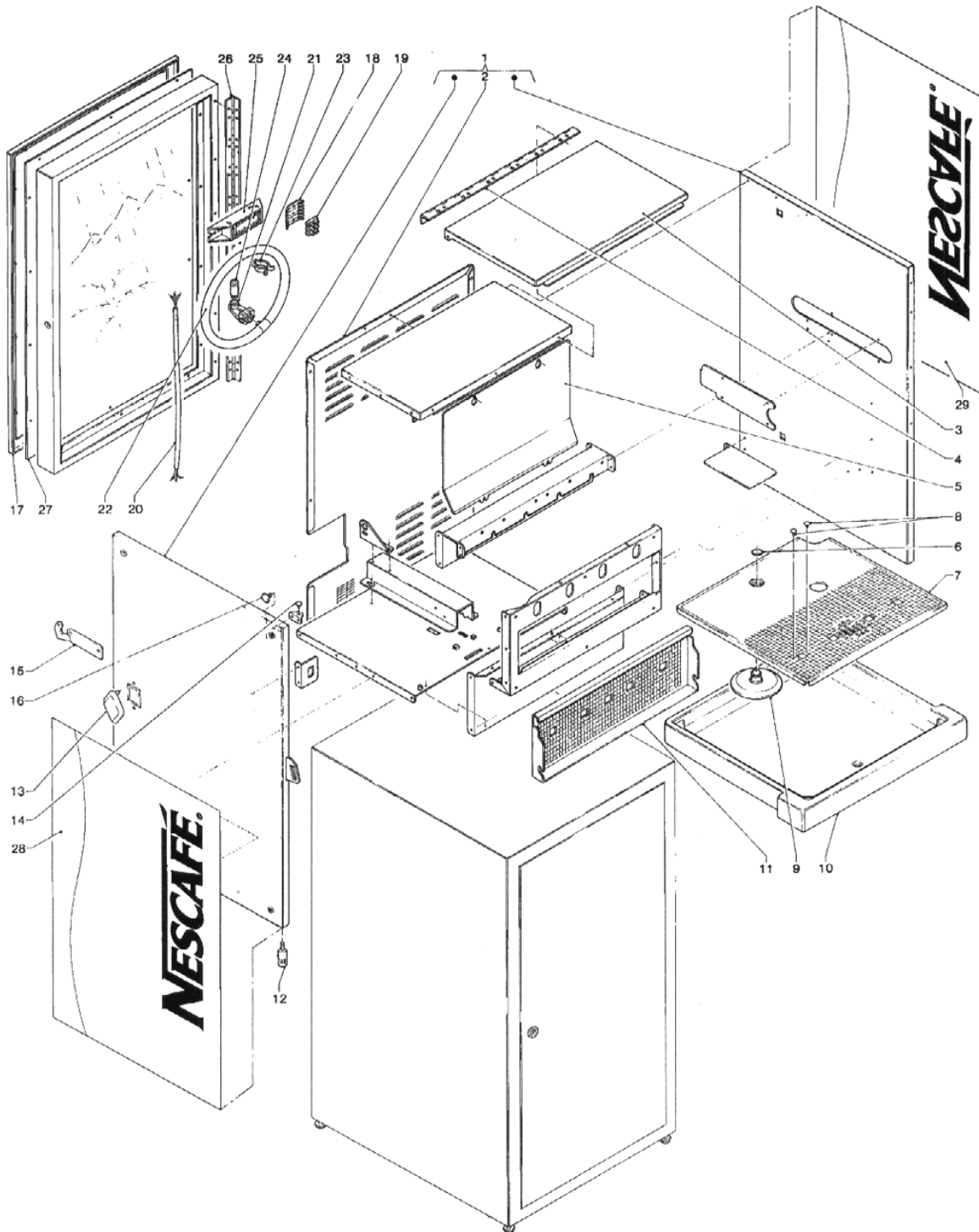


PICCOLO MATTINO

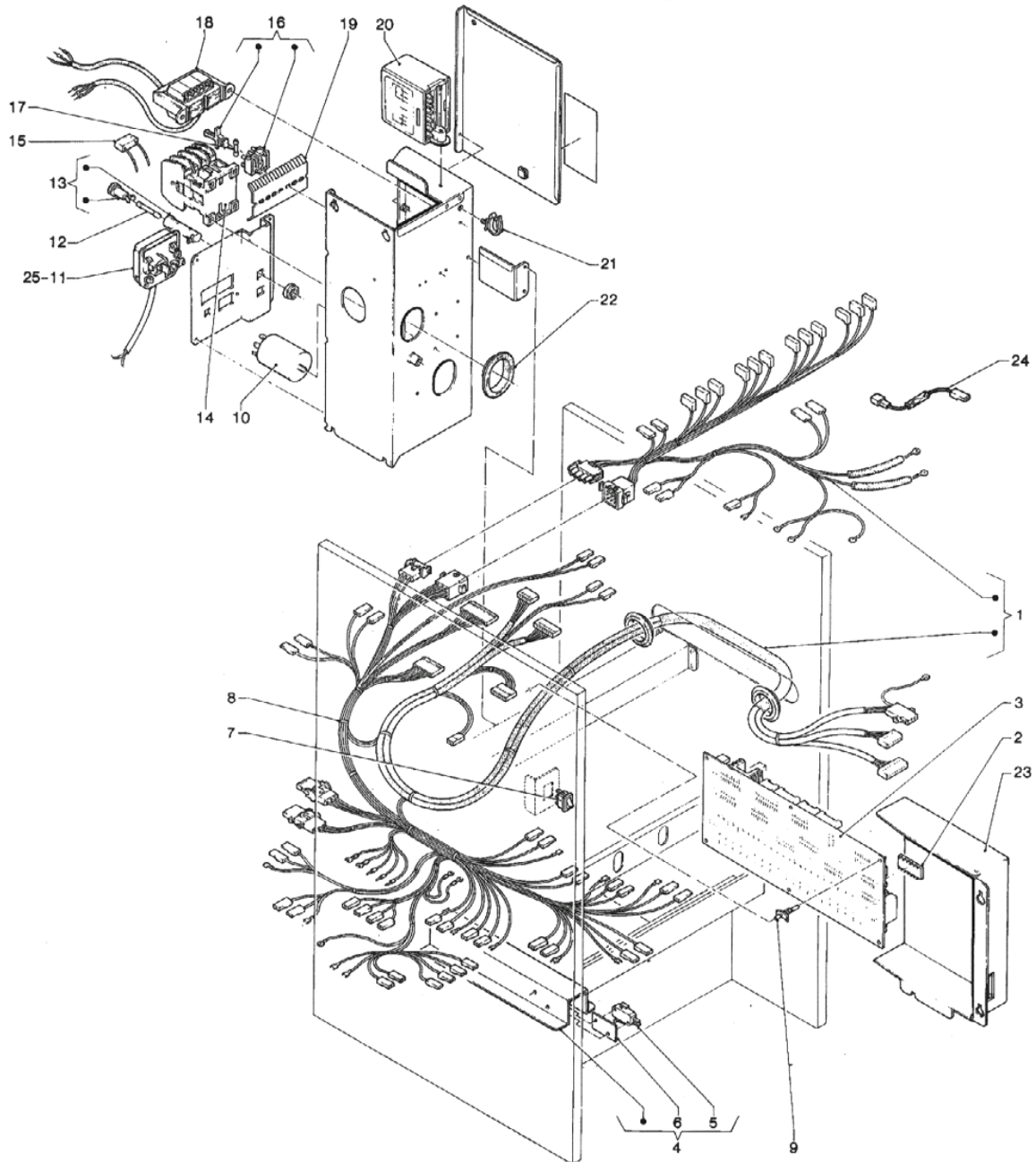




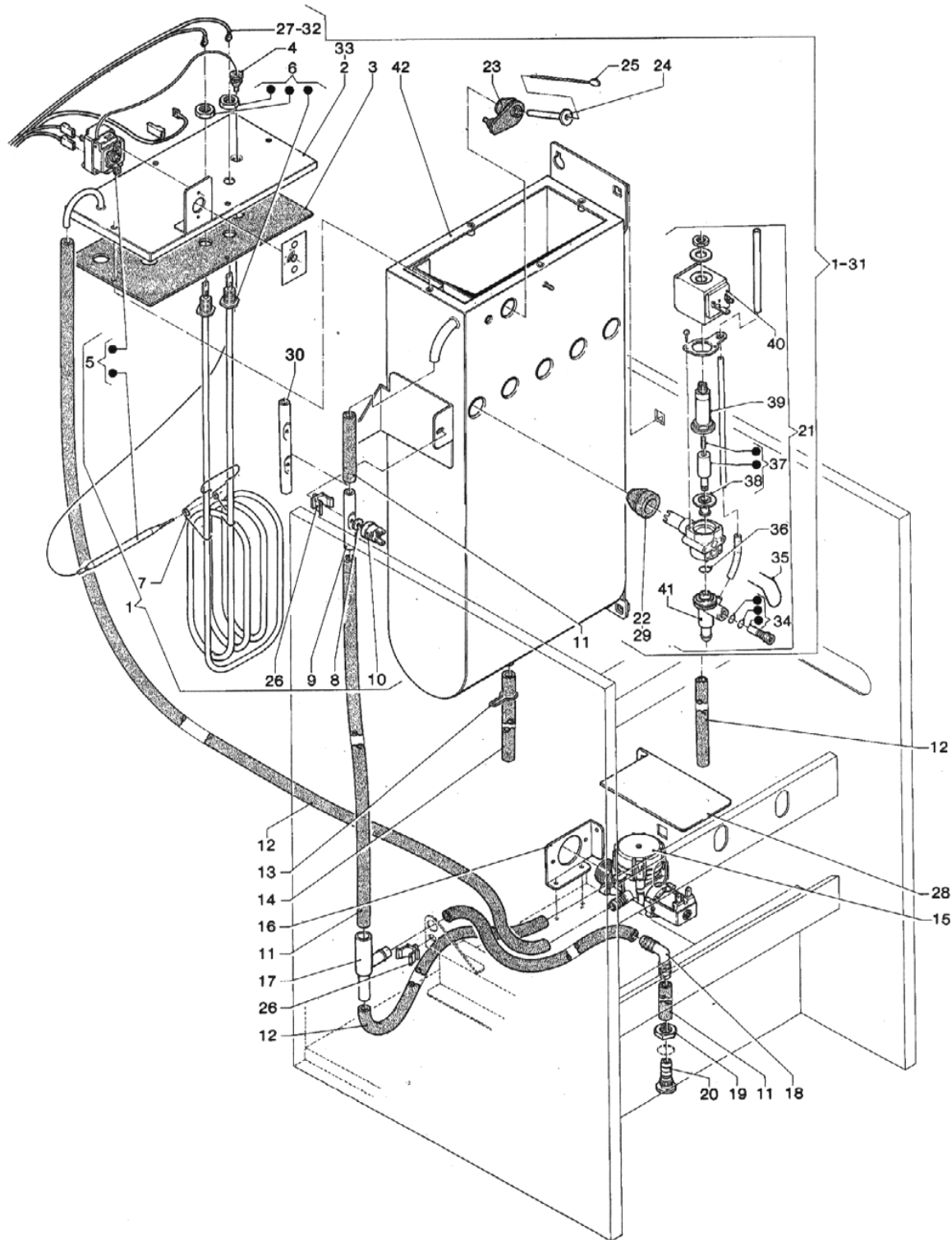
	Code	Description	Notes
1	099858	DOOR	
2	099864	HINGE	
3	099867	COVERING	
4	099862	PHOTO-PANEL	
5	0V3729	UPPER FRAME SILVER	
6	099861	DISPLAY GLASS	
7	251656	DISPLAY 1X16 BLUE	
8	093830	MICRO SPACER	
9	099638	PLATE	
10	095964	LED CARD SPACER	
11	098551	BOLT	
12	096713	CARD SPACER	
13	099865	INTERFACE CARD	
14	095968	HINGE UPPER COVERING	
15	099866	COVERING	
16	099319	LOCK	
17	099863	MEMBRANE CONTROL PANEL	
18	0V3730	LOWER FRAME SILVER	
19	098303	LOCK TYPE 'N'	
20	098463	PASSPARTOUT -ROUND LOCK-	
21	099872	PRODUCTS PLATES (F)	FRENCH VERSION
21	099926	PRODUCTS PLATES (UK)	UK VERSIONS
21	099927	PRODUCTS PLATES (I)	ITALY ONLY
21	0V0172	PRODUCTS PLATE 'D'	GERMAN VERSION
21	0V1351	'TURKISH' PRODUCT LABELS	TURKEY VERSION
21	0V1352	'ISRAELI' PRODUCT LABELS	
22	099905	LOCK RIELDA	FRENCH VERSION
23	099871	NAMEPLATE SUPPORT	
24	097267	LAMP HOLDER TYPE G5	
25	097268	INDUCTOR TYPE BPL	
26	091802	STARTER TYPE S10	
27	091799	STARTER HOLDER	
28	097266	LIGHT TYPE TL 8 W	
29	0V1808	NESTLE' PHOTOGRAPHIC PANEL	
30	0V1809	NESTLE' PUSH-BUTTON PLATE	



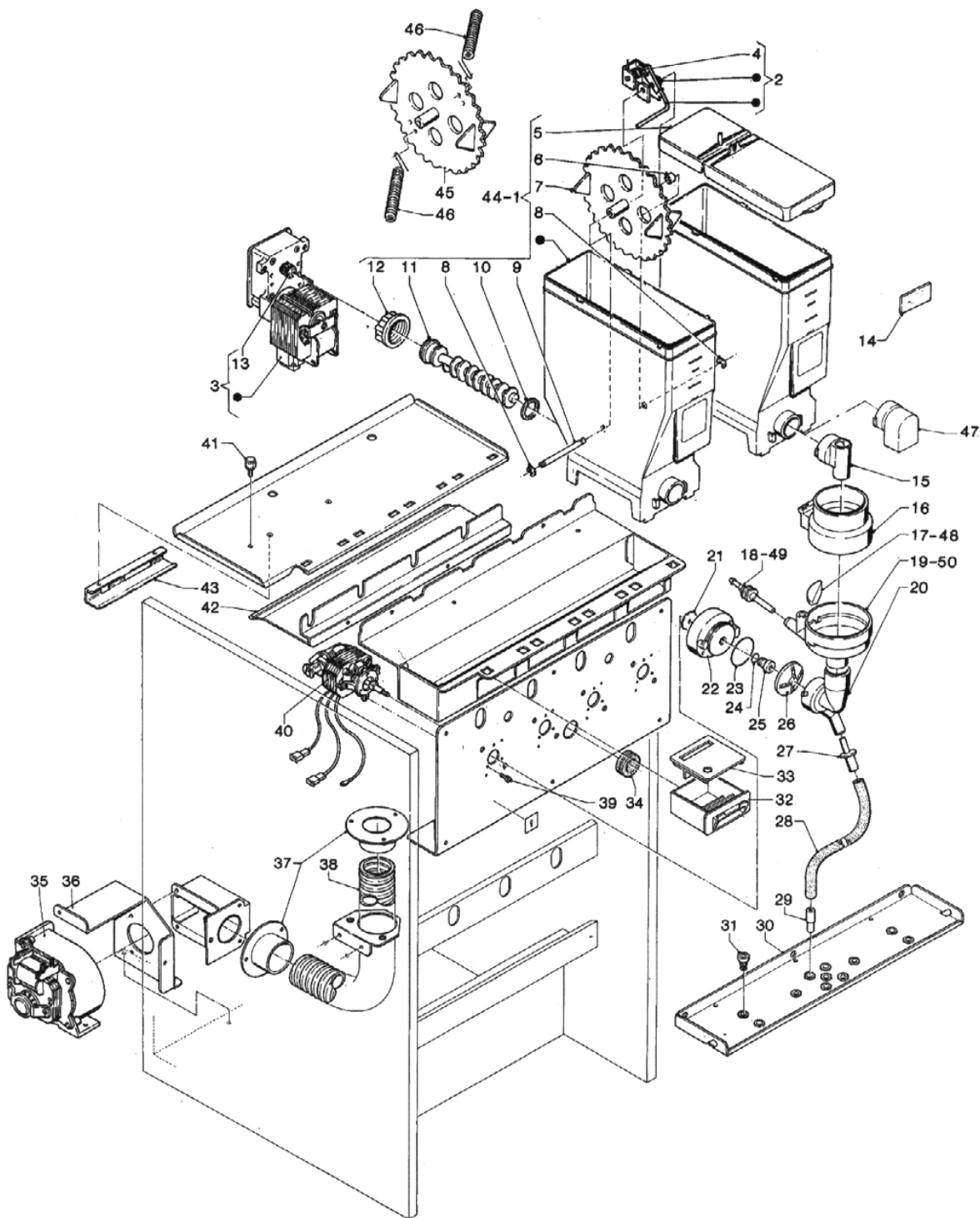
	Code	Description	Notes
1	0V0429	CABINET	
2	099868	REAR COVERING	
3	099828	CEILING	
4	099829	HINGE	
5	099869	ELECTRIC VALVE COVERING	
6	095624	GASKET O-RING 116 EP851	
7	099834	GRATE	
8	095554	CUP FASTENER	
9	0V1751	TRAY FLOAT	
10	099833	CONTAINER	
11	099930	SUPPORT CARAFE GRATE	
12	099873	FOOT	
13	097886	STOPPER	
14	098759	RUBBER BUFFER	
15	099890	SUPPORT HOOK	
16	099727	STOPPER	
17	099895	FRAME	
18	097242	SUB-TERMINAL BOARD	
19	097257	TERMINAL BOARD	
20	099892	WIRING	
21	098339	LAMP-HOLDER	
22	098338	LAMP	
23	098337	LAMP-HOLDER HOOKS	
24	091802	STARTER TYPE S10	
25	091803	REACTOR TYPE 58443 HQ/3 220V	
26	099894	HINGE	
27	099891	PHOTO-PANEL	
28	0V1807	LEFT NESTLE' ADHESIVE LABEL	
29	0V1806	RIGHT NESTLE' ADHESIVE LABEL	



	Code	Description	Notes
1	099830	GENERAL WIRING	
2	095004	EPROM 512K(TO BE PROGRAMMED)	
3	0V1960	CPU/REALISATION BOARD SMT REDUCED	
4	099839	FLOAT-SWITCH	
5	0V1930	MICROSWITCH 'UL'	
6	092761	INSULATING DISK	
7	098214	SWITCH	
8	090148	CLIP	
9	093984	GUIDE SPACER	
10	0V3512	NET FILTER	
11	098796	TERMINAL BOARD	
12	095636	FUSE 15 A	
13	098794	FUSE-HOLDER	
14	094024	REMOTE CONTROL SWITCH	
15	096845	FILTER RC 1000HM 0,1MF	
16	097241	3-POLE TERMINAL BOARD W/CARRIER	
17	097103	FUSE 1,25A 5X20 DELAYED ACTION	
17	097544	FUSE 125 MA DELAYED ACTION	
18	098792	TRANSFORMER	
19	097242	SUB-TERMINAL BOARD	
20	099831	CHECK-POINT	
21	098459	WIRE-CLIP	
22	093916	WHIPPING OVAL	
23	099870	C.P.U. COVERING	
24	0V0719	DIODE	
25	0V0878	TERMINAL BOARD	5000 WATT

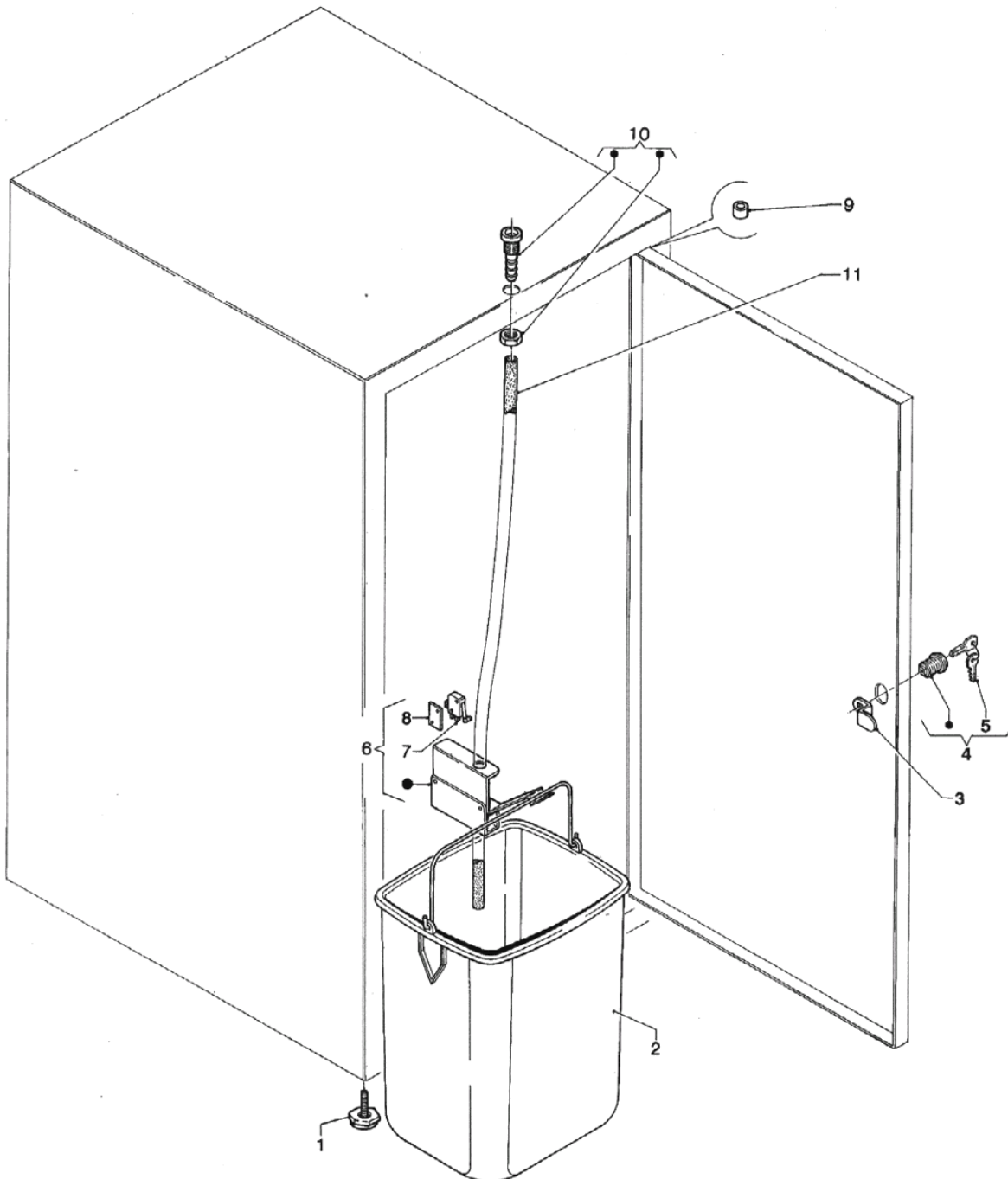


	Code	Description	Notes
1	099840	BOILER COMPLET 5 VALVE	
2	099841	BOILER COVER	
3	099842	GASKET	
4	099844	GASKET	
5	092428	THERMOSTAT ADJUSTABLE	
6	099843	HEATING-ELEMENT	
7	094150	THERMOSTAT BLUB FASTENING SPRING	
8	094597	COPPER WASHER	
9	098390	PIPE FOR THERMOSTAT FIXING	
10	0V2129	THERMOSTAT 82 C	
11	097513	SILICONE HOSE 9X13 BROWN	
12	097512	SILICONE HOSE 6X12 BROWN	
13	092703	TUBE CLAMP	
14	097685	SILICONE HOSE BROWN 7,5X12	
15	097381	ELECTROVALVE WATER-INLET 220V	
16	099436	ELECTROVALVE SUPPORT	
17	094185	CODENSE RECOVERY UNION	
18	094571	UNION 90 DEGREES	
19	092652	LOCK NUT 1/4 REV	
20	094910	RUBBER HOLDER MIXER BASIN	
21	099846	ELECTROVALVE	
22	099847	GASKET	
23	099848	GASKET	
24	099850	VALVE BUSH	
25	099849	FEELER	
26	098484	HOSE FIXING	
27	099851	BOILER WIRING	
28	099832	COVERING	
29	099928	STOPPER GASKET	
30	099458	TUBE FOR 2 THERMOSTAT	5000 WATT
31	0V1286	5000 WATT BOILER ASSEMBLY	5000 WATT
32	0V1287	BOILER WIRING	5000 WATT
33	0V0879	BOILER COVER	5000 WATT
34	099063	ADJUSTING-SCREW	
35	099060	ELASTIC SPRING	
36	0V1097	OR GASKET	
37	099066	COMPLETE PISTON	
38	099065	MEMBRANE-GASKET	
39	095791	VALVE BUSH	
40	099057	ELECTROV.-COIL 220/230 VOLT	
41	0V0806	ELECTRICVALVE BODY(FOR 1 ELECTRICVALVE)	
42	0V1096	BOILER BODY	

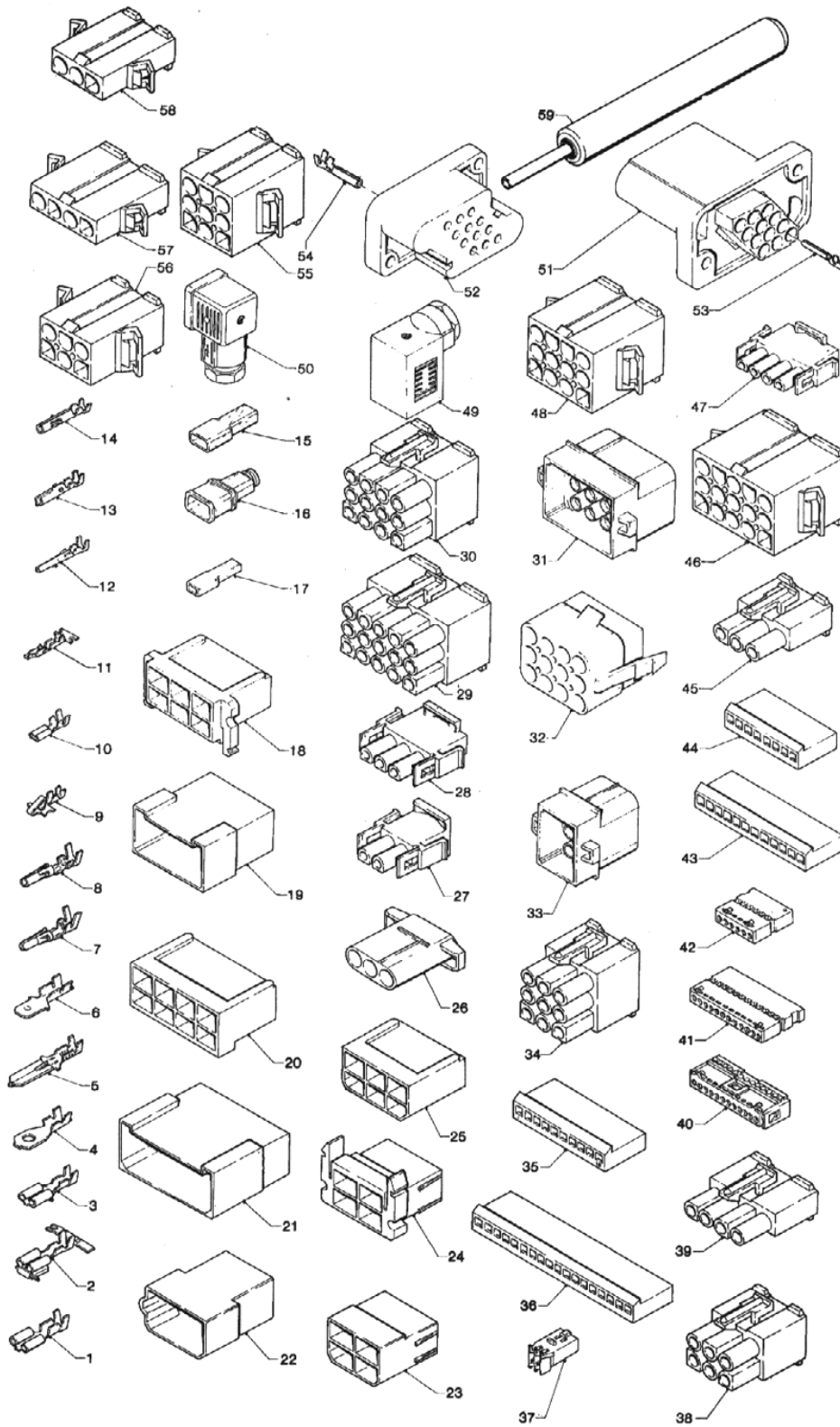


	Code	Description	Notes
1	099334	POWDERS CANISTER	FOR MILK-TEA-COFFEE
1	099857	CONTAINER COMPLET WITH BEATER	FOR CHOCOLATE
2	099494	CANISTER-BEATER	
3	099855	MOTOREDUCER	FOR MILK - CHOCOLATE
3	099856	MOTOREDUCER	FOR COFFEE-TEA
4	099442	SPRING	
5	099466	LID FOR CONTAINER	
6	098812	SPACER	
7	095936	WHEEL	
8	091959	BENZING COLLAR DIAM MM4	
9	0V1962	PIN FOR WHEEL	
10	095829	GASKET O-RING	
11	098609	SCROLL	
12	095849	CONTAINER RING NUT	
13	099882	PINION (FOR SMALL SHAFT)	
14	097502	NAMEPLATE GROUP CONTAINER INSTANT P	
15	098939	CANISTER-OPENING	
16	097520	POWDER INLET FUNNEL BROWN	
17	098432	CUT DEFLECTOR	
18	099329	FUNNEL NOZZLE D. 3.4	
19	098191	WATER-FUNNEL CUT	
20	097912	CONVEYOR FOR MIXER	
21	099796	WASHER	
22	097911	FLANGE FOR MIXER	
23	094540	GASKET O-RING 3125	
24	099880	GASKET	
25	097917	BUSH SEAL	
26	0V1129	MIXER WHEEL	
27	097914	COFFEE CHOKE	
28	097512	SILICONE HOSE 6X12 BROWN	
29	099837	NOZZLE	
30	099836	NOZZLE SUPPORT	
31	099838	STOPPER	
32	099330	POWDERS DRAWER	
33	099331	DRAWER LID	
34	090021	WHIPPING DIAM 10,5 MM	
35	098583	ELECTROVENTILATOR	
36	099852	SUPPORT	
37	098703	VENTILATOR PIPE CONNECTION	
38	096459	HOSE DIAM 32	
39	099773	SCREW	
40	098808	MOTORMIXER	
41	096977	KNURL	
42	099853	SUPPORT NOZZLES	
43	099854	DIFFUSER	
44	0V1439	SOUP CONTAINER ASSY.	FOR TEA-SOUP

	Code	Description	Notes
45	0V1440	GEAR	FOR TEA-SOUP
46	0V0165	SPRING	FOR TEA-SOUP
47	096868	POWDER FUNNEL	
48	096926	WATER FUNNEL DEFLECTOR	
49	099931	NOZZLE D.5	
50	0V0180	WATER FUNNEL F.B.	



	Code	Description	Notes
1	096244	LITTLE FEET	
2	097530	SQUARE WASTE BASKET BROWN	
3	098551	BOLT	
4	094814	LOCK PREFER 'V000' SELECTED CLOSING TIME	
5	091116	KEY TYPE 'V'	
6	099524	SUPPORT	
7	0V1927	MICROSWITCH 'UL'	
8	090681	INSULATING DISK	
9	094548	SPACER	
10	099642	RUBBER HOLDER	
11	098800	TRANSPARENT HOSE (PER METER)	



	Code	Description	Notes
1	090959	FASTON W/O TONGUE	
2	091702	TERMINAL FASTON DOUBLE M/F	
3	093990	TERMINAL FEMALE FASTIN/FASTON	
4	090957	EYELET TERMINAL	
5	093850	TERMINAL MALE FASTIN/FASTON	
6	091159	TERMINAL FASTON MALE BRASS	
7	095955	TERMINAL MALE	
8	096136	TERMINAL FEMALE	
9	093996	TERMINAL FEMALE	
10	094958	TERMINAL FASTON FEMALE	
11	094405	TERMINAL FEMALE 2,5	
12	093736	MALE CONTACT BRASS	
13	093745	RELAY SOCKET TYPE ZN1	
14	094956	TERMINAL FEMALE	
15	090247	FEMALE FASTON COVER	
16	091192	FASTON COVER	
17	094957	FEMALE FASTON COVER	
18	093989	6-POL CONNECTOR BLOCK FEMALE	
19	093849	6-POLE CONNECTOR BLOCK MALE	
20	093987	8-POLE CONNECTOR BLOCK S.A. FEMALE	
21	094123	8-POLE CONNECTOR BLOCK S/A MALE	
22	093854	4-POLE CONNECTOR BLOCK FEMALE	
23	093985	4-POLE CONNECTOR BLOCK FEMALE	
24	093988	4-POLE CONNECTOR BLOCK C.A. FEMALE	
25	093986	6-POLE CONNECTOR BLOCK FEMALE SA	
26	093731	3-POLE CONNECTOR BLOCK MALE	
27	094955	FEMALE HOLDER CONNECTOR 2-WAYS	
28	094954	FEMALE HOLDER CONNECTOR 3-WAYS	
29	0V0819	15-PIN CONNECTOR/P MOLEX 3191	
30	0V0818	12-PIN CONNECTOR/P MOLEX 3191	
31	090053	MALE HOLDER CONNECTOR	
32	091108	CONNECTOR 12 WAYS	
33	090052	MALE HOLDER CONNECTOR	
34	0V0817	9-PIN CONNECTOR/P MOLEX 3191	
35	093993	CHASER CONNECTOR FEMALE HOLDER 10-W	
36	093995	CHASER CONNECTOR FEMALE HOLDER 18-W	
37	094953	FEMALE HOLDER CONNECTOR 2-WAYS MM 2,5	
38	0V0816	6-PIN CONNECTOR/P MOLEX 3191	
39	0V0815	4-PIN CONNECTOR/P MOLEX 3191	
40	094961	FEMALE HOLDER CONNECTOR P.I. 12-W	
41	094404	FEMALE HOLDER CONNECTOR 12-WAYS 2,5	
42	094712	FEMALE HOLDER CONNECTOR STOKO 6-WAY	
43	093994	CHASER CONNECTOR FEMALE HOLDER 12-W	
44	093993	CHASER CONNECTOR FEMALE HOLDER 10-W	
45	0V0814	3-PIN CONNECTOR/P MOLEX 3191	
46	0V0813	15-PIN CONNECTOR/P MOLEX 3191	

	Code	Description	Notes
47	098062	4-WAY CONNECTOR MATE-N-LOK AMP	
48	0V0812	12-PIN CONNECTOR/P MOLEX 3191	
49	098061	CONNECTOR MPM FOR COUNTER	
50	096549	CONNECTOR	
51	098899	MALE HOLDER CONNECTOR 12 WAYS	
52	098901	FEMALE HOLDER CONNECTOR 12 WAYS	
53	098900	MALE PIN	
54	098902	TERMINAL FEMALE	
55	0V0811	9-PIN CONNECTOR/P MOLEX 3191	
56	0V0810	6-PIN CONNECTOR/P MOLEX 3191	
57	0V0809	4-PIN CONNECTOR/P MOLEX 3191	
58	0V0808	3-PIN CONNECTOR/P MOLEX 3191	
59	0V0820	MOLEX CONTACT PULLER	