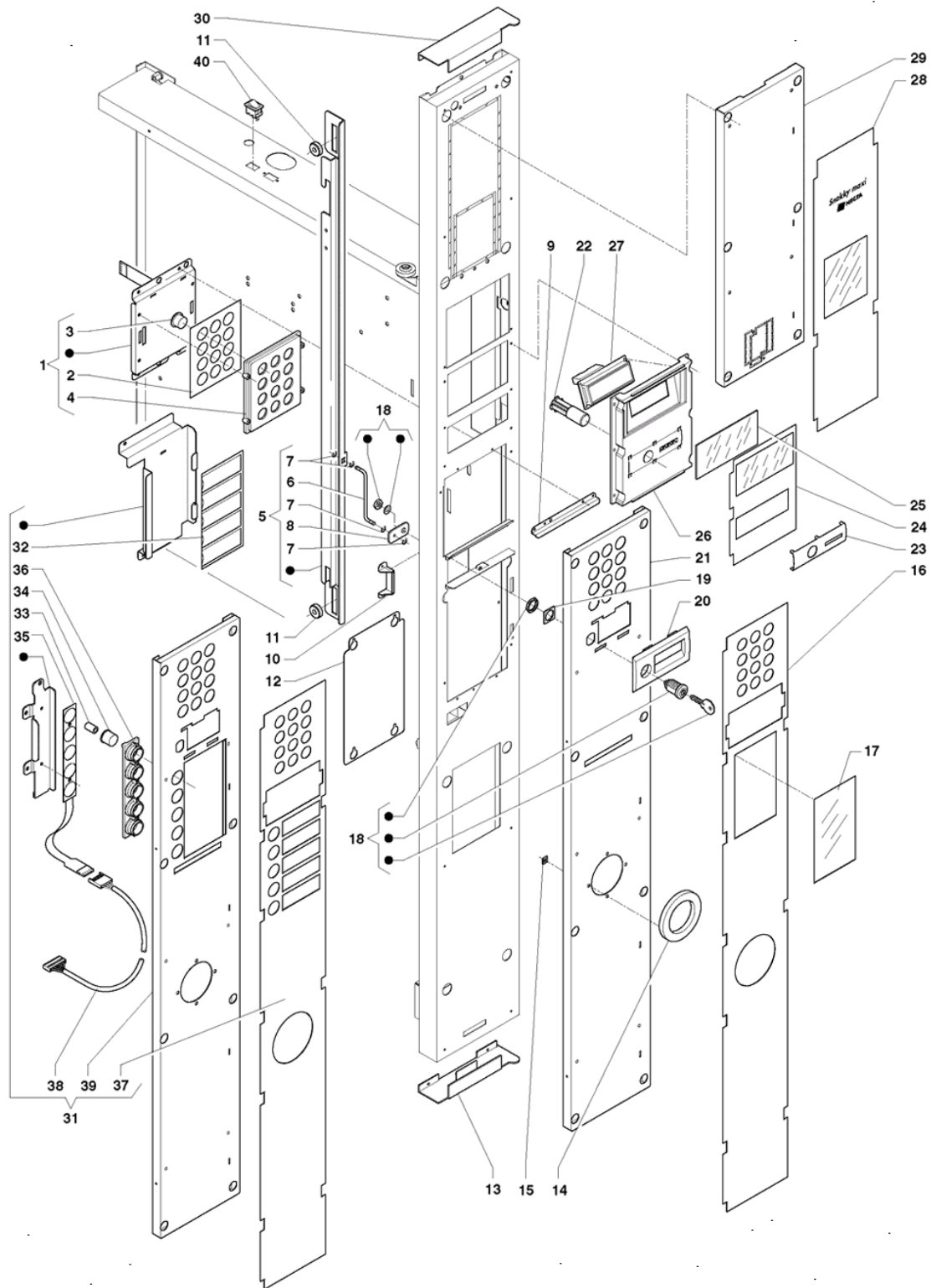
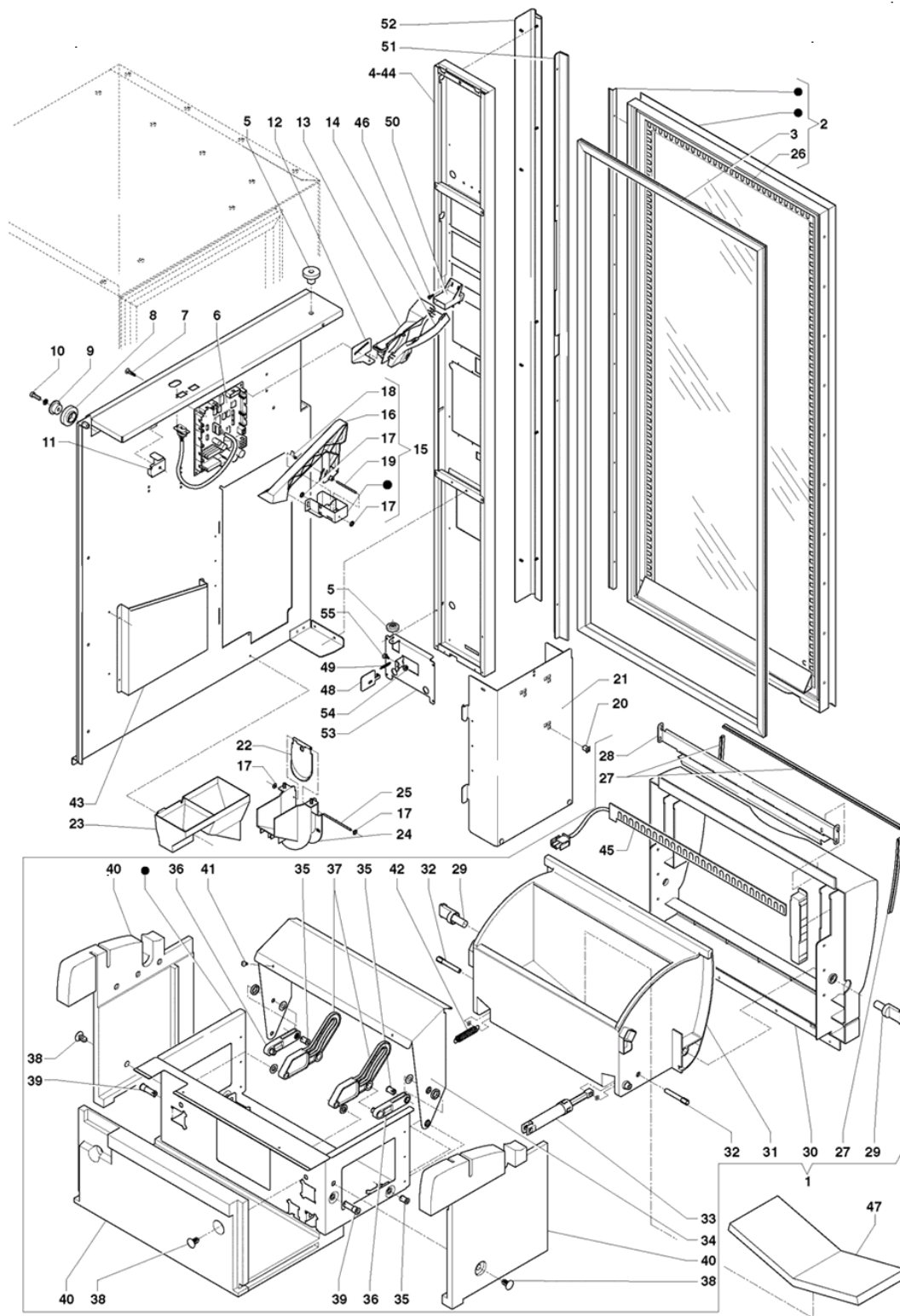


SNAKKY MAX



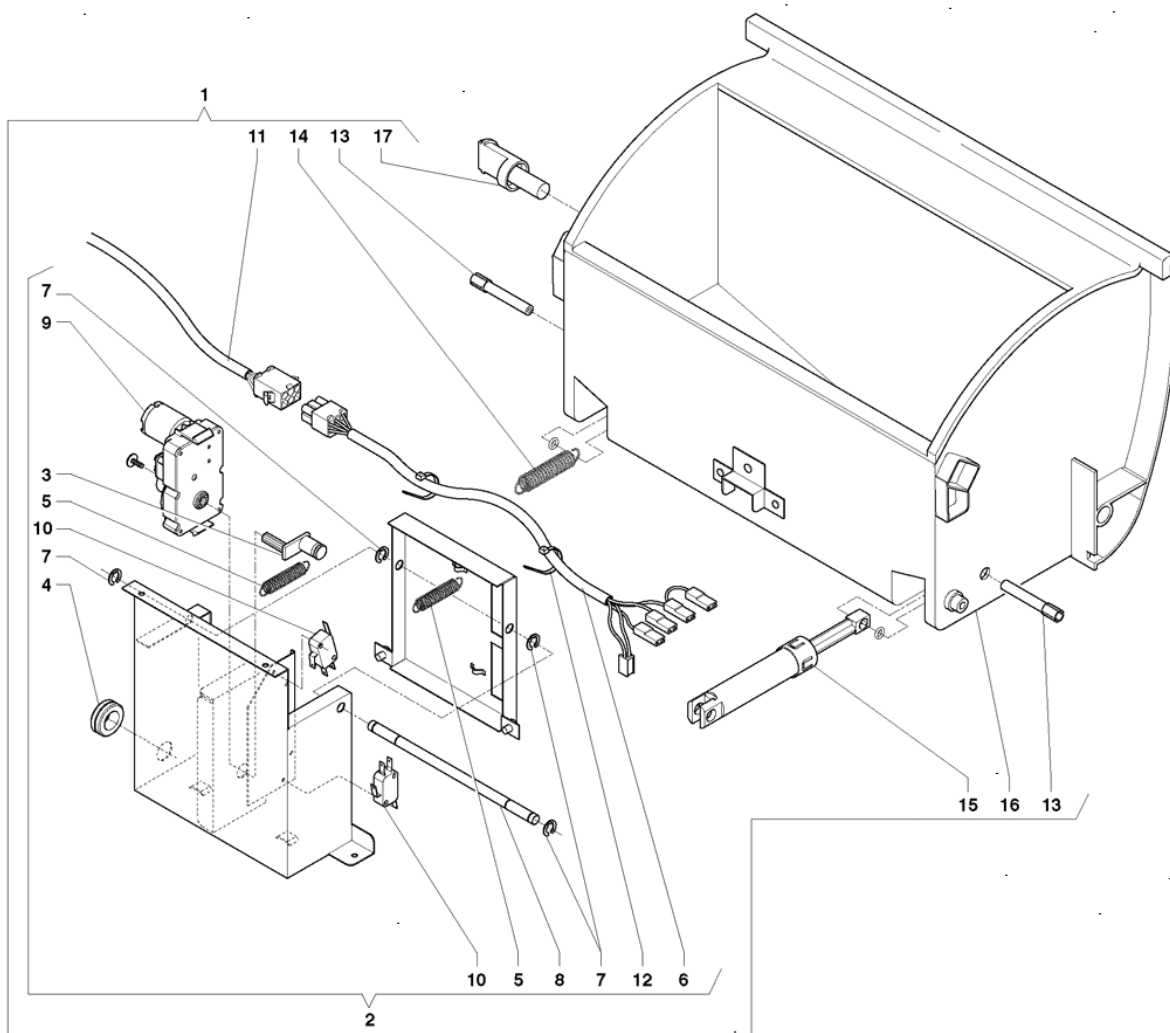


| | Code | Description | Notes |
|----|-------------|-------------------------------------|--------------|
| 1 | 250531 | KEYPAD ASSEMBLY | |
| 2 | 0V0070 | MEMBRANE CONTROL PANEL | |
| 3 | 0V4233 | SELECTION BUTTONS | |
| 4 | 0V4228 | MEMBRANE-TYPE PUSH-BUTT.PANEL ELEM. | |
| 5 | 250533 | CLOSING ROD | |
| 6 | 250494 | CLOSING PIN | |
| 7 | 091287 | OUTER FIXING COLLAR | |
| 8 | 250487 | LATCH BOLT | |
| 9 | 250483 | PUSH-BUTTON PANEL STRENGTHENING | |
| 10 | 250490 | LOCK INNER PROTECTION | |
| 11 | 0V2047 | LOCK ROD SPACER | |
| 12 | 250474 | CLOSING PIN PROTECTION | |
| 13 | 250512 | LOWER HEAD EXTENSION | |
| 14 | 0V2073 | DARK GREY COIN RETURN FRAME | |
| 15 | 093829 | LEVER LOCK CLIP | |
| 16 | 250516 | LOWER LABEL | |
| 17 | 250170 | NEUTRAL LABELS | |
| 18 | 099905 | LOCK RIELDA | |
| 19 | 093908 | LOCKING POSITION DISK | |
| 20 | 250514 | HANDLE | |
| 21 | 250473 | COIN RETURN ELEMENT | |
| 22 | 250506 | COIN RETURN BUTTON | |
| 23 | 250480 | COIN INSERT PLATE | |
| 24 | 250515 | CENTRE LABEL | |
| 25 | 0V2069 | DISPLAY GLASS | |
| 26 | 250513 | DISPLAY SUPPORT | |
| 27 | 251658 | DISPLAY 4X20 BLUE | |
| 28 | 251710 | UPPER LABEL | |
| 29 | 250472 | PAYMENT ELEMENT | |
| 30 | 250511 | UPPER HEAD EXTENSION | |
| 31 | 250747 | DIRECT KEYBOARD KIT | |
| 32 | 250780 | ADHESIVE LABEL HOLDER | |
| 33 | 250159 | PUSH-BUTTON ACTUATOR | |
| 34 | 0V2071 | COIN RETURN BUTTON | |
| 35 | 250781 | CONTROL PANEL DIRECT SELECTION | |
| 36 | 250778 | SUPPORT SELECTION KEYS | |
| 37 | 250779 | COIN RETURN LOWER LABEL | |
| 38 | 250741 | KEY-BOARD WIRING | |
| 39 | 250777 | COIN RETURN ELEMENT | |
| 40 | 097807 | BUTTON | |

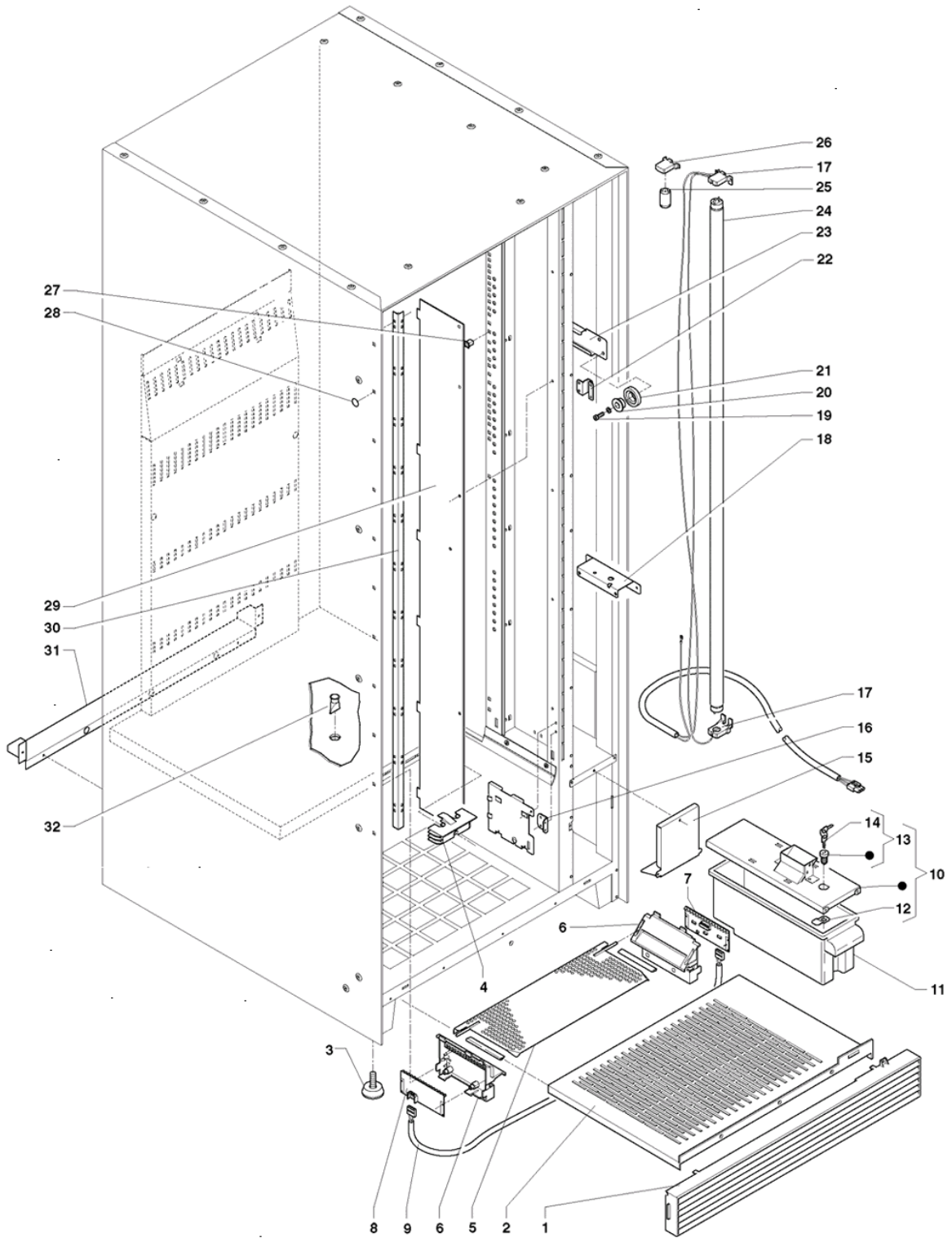


| | Code | Description | Notes |
|----|-------------|---|--------------|
| 1 | 250010 | DISPENSING COMPARTMENT -BLACK- | |
| 2 | 251715 | WINDOW-SNAKKY MAX- | |
| 3 | 251724 | MGNETIC SEAL | |
| 4 | 250534 | CONTROL PANEL | |
| 5 | 0V0102 | ROLLER | |
| 6 | 0V3834 | CPU BOARD (TO BE PROGRAMMED) | |
| 7 | 097175 | CARD SPACER | |
| 8 | 0V3438 | WHEEL | |
| 9 | 0V3439 | WHEEL BUSH | |
| 10 | 096682 | SCREW 6X18 | |
| 11 | 0V3469 | SUPPORTING PLATE STOP | |
| 12 | 250488 | HALF CHUTE ADJUSTING BRACKET | |
| 13 | 250505 | UPPER COIN INTRODUCTION HALF CHUTE | |
| 14 | 250504 | LOWER COIN INTRODUCTION HALF CHUTE | |
| 15 | 250532 | COIN RETURN DEVICE | |
| 16 | 0V3467 | COIN RETURN LEVER | |
| 17 | 093754 | BENZING COLLAR QUICKBLOCK BQ DIAM MM | |
| 18 | 099356 | SPRING FOR CHANGE | |
| 19 | 099355 | CHANGE GIVING PIN | |
| 20 | 094111 | INSULATING DOLLY BLOCK | |
| 21 | 250471 | COIN MECH SUPPORT | |
| 22 | 093890 | MONEY RETURN SHUTTER | |
| 23 | 250500 | COIN RETURN CHUTE | |
| 24 | 250008 | COIN RETURN - BLACK - | |
| 25 | 0V0983 | SLIDER PIN | |
| 26 | 251722 | 20W-230V WINDOW RESISTANCE | |
| 27 | 0V3481 | SEAL (BY METRE) | |
| 28 | 250569 | MOLDING INSERT | |
| 29 | 0V3480 | ROTATION BUSHING | |
| 30 | 250791 | EXT. DISPENSING COMPARTMENT MOLDING-BLACK | |
| 31 | 250356 | DISPENSING SLIDER - BLACK- | |
| 32 | 0V3483 | PIN | |
| 33 | 0V3482 | SLOWDOWN CYLINDER | |
| 34 | 0V3473 | ANTI-THEFT | |
| 35 | 0V3474 | ANTI-THEFT PIN | |
| 36 | 0V3475 | ANTI-THEFT ROD | |
| 37 | 0V3476 | ANTI-THEFT DEVICE CONTROL CAM | |
| 38 | 0V3583 | CLIPS | |
| 39 | 0V3477 | CAM PIN | |
| 40 | 0V3582 | COMPARTMENT INSULATION | |
| 41 | 098833 | BUFFER | |
| 42 | 0V3484 | COMPARTMENT RETURN SPRING | |
| 43 | 0V3594 | DOCUMENTATION HOLDER | |
| 44 | 250782 | CONTROL PANEL DIRECT SELECTION | |
| 45 | 251711 | ADHESIVE HEATING-ELEMENT 24V-10W | |
| 46 | 987612 | EJOT-PT-SCREW 4X12 | |

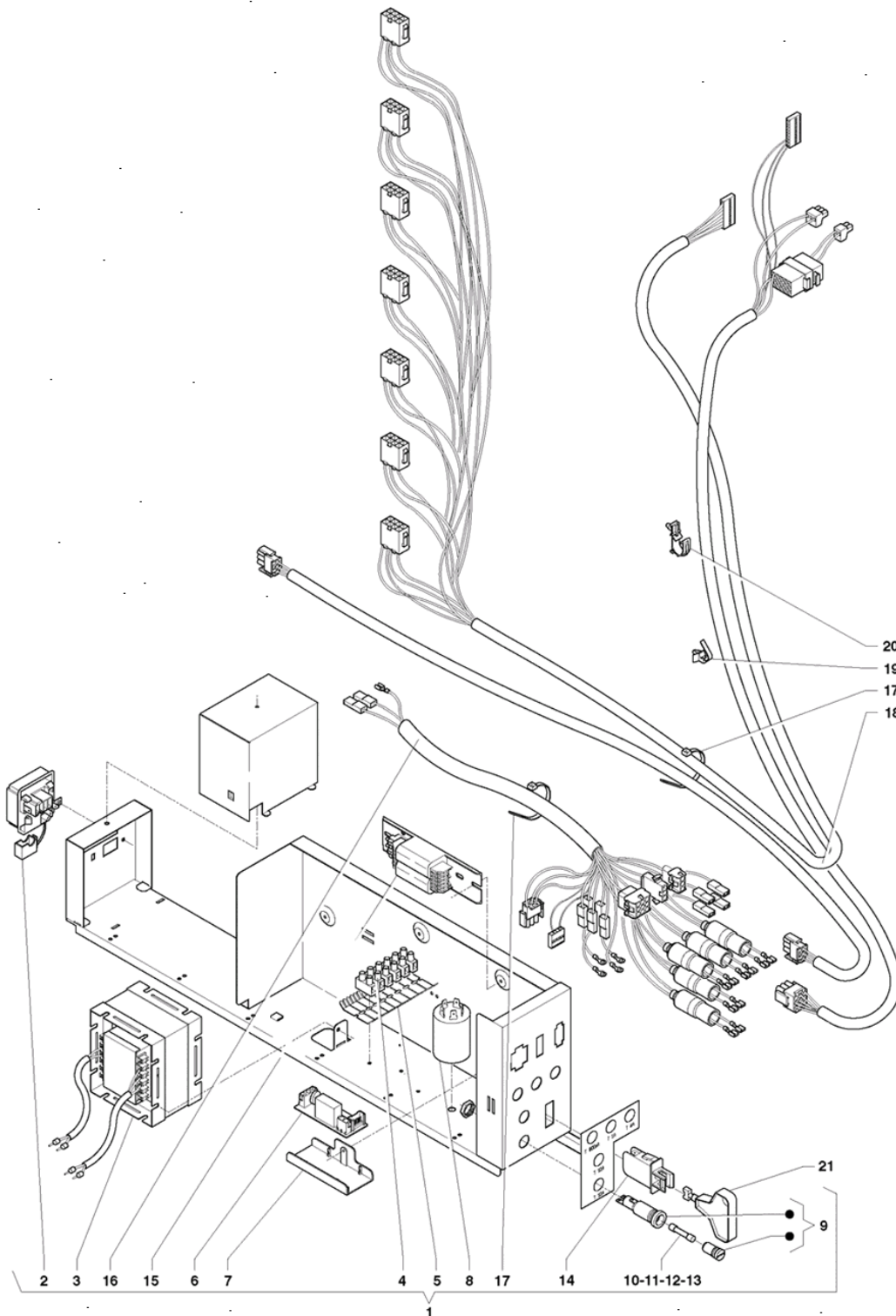
| | Code | Description | Notes |
|----|-------------|-------------------------------|--------------|
| 47 | 250346 | DAMPER BEARING | |
| 48 | 0V1673 | MICROSWITCH CONTROL LEVER | |
| 49 | 093978 | SPRING FOR ACTUATOR | |
| 50 | 250502 | FIXED COIN INTRODUCTION CHUTE | |
| 51 | 251713 | MIDDLE PROFILE | |
| 52 | 251132 | SIDE RIGHT PROFILE | |
| 53 | 250484 | DOOR MICRO ACTUATOR SUPPORT | |
| 54 | 091703 | SELF-BLOCKING NUT M4 | |
| 55 | 090615 | COLLAR SCREW | |



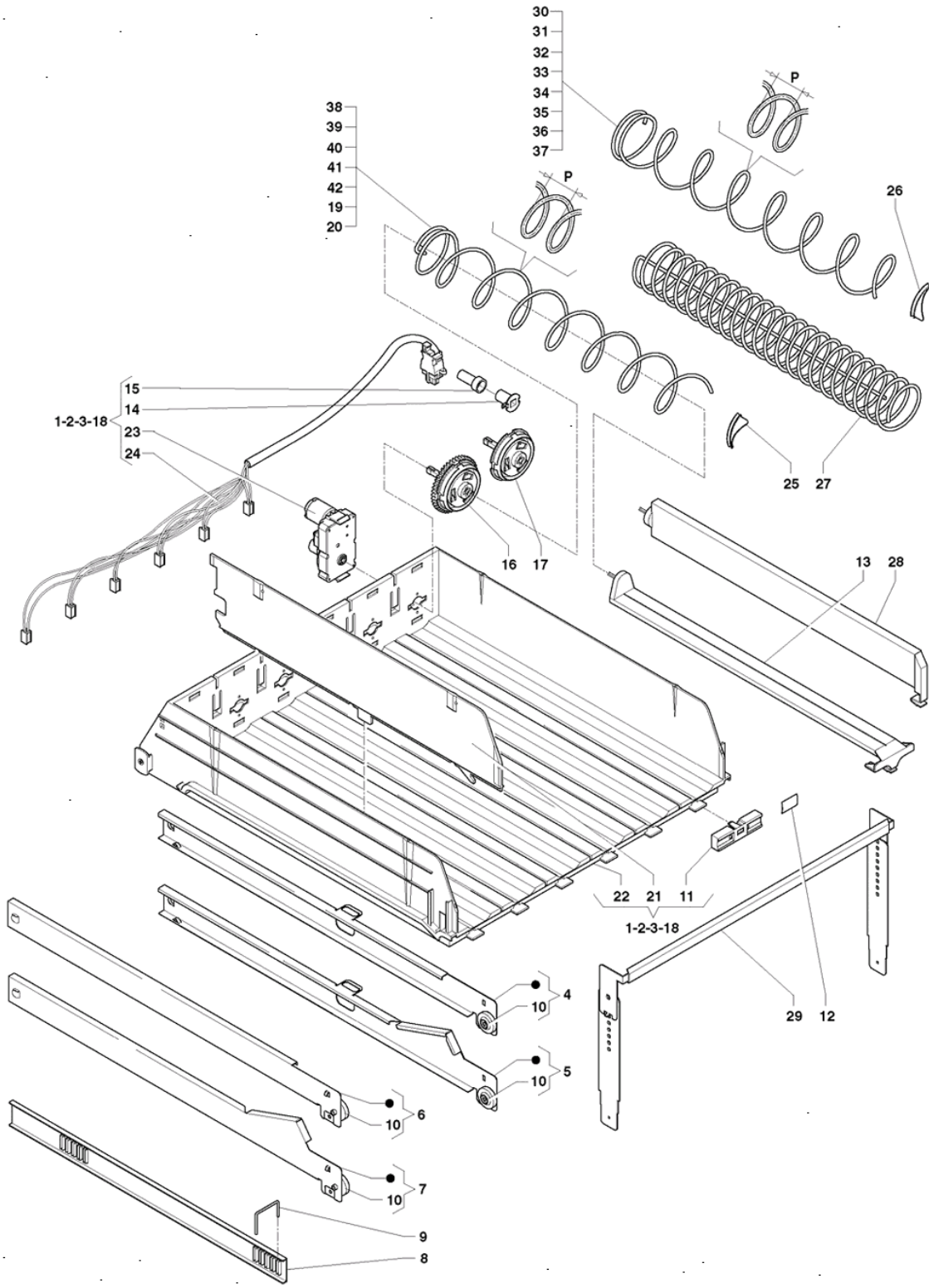
| | Code | Description | Notes |
|----|-------------|-------------------------------------|--------------|
| 1 | 250122 | DISPENSING COMPARTMENT FOR BLOCKING | |
| 2 | 250123 | BLOCK FOR DISPENSING COMPARTMENT | |
| 3 | 250120 | HANDLE | |
| 4 | 090020 | WHIPPING MM 16 | |
| 5 | 093978 | SPRING FOR ACTUATOR | |
| 6 | 250118 | SLIDER LOCK WIRING | |
| 7 | 091357 | OUTER BENZING COLLAR DIAM MM7 | |
| 8 | 250117 | PIN | |
| 9 | 0V0075 | MOTOREDUCER | |
| 10 | 0V1141 | MICROSWITCH | |
| 11 | 250119 | CONNECTION WIRING | |
| 12 | 090148 | CLIP | |
| 13 | 0V3483 | PIN | |
| 14 | 0V3484 | COMPARTMENT RETURN SPRING | |
| 15 | 0V3482 | SLOWDOWN CYLINDER | |
| 16 | 250121 | DISPENSING SLIDER FOR BLOCK | |
| 17 | 0V3480 | ROTATION BUSHING | |



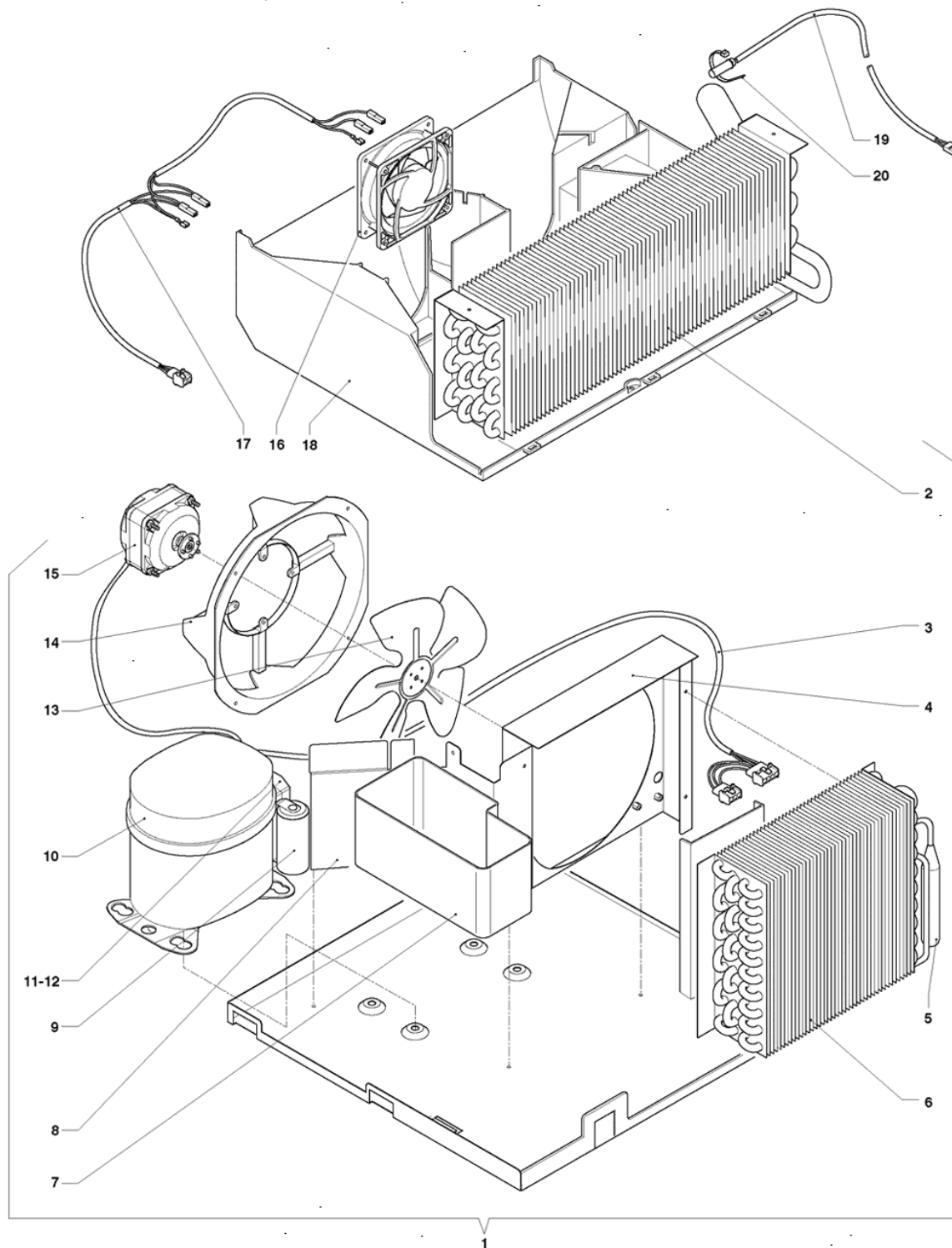
| | Code | Description | Notes |
|----|-------------|-----------------------------|--------------|
| 1 | 251703 | FOOT-COVER-SNAKKY MAX- | |
| 2 | 251706 | REMOVABLE GRID | |
| 3 | 252124 | 4 FEET KIT | |
| 4 | 0V3431 | TUBE STOP | |
| 5 | 0V3584 | PRODUCTS CONVEYOR | |
| 6 | 0V3581 | PRODUCTS DEFLECTOR | |
| 7 | 0V3499 | RECEIVING PHOTOCELL CARD | |
| 8 | 0V3498 | TRANSMITTING PHOTOCELL CARD | |
| 9 | 0V3454 | PHOTOCELL WIRING | |
| 10 | 250649 | COIN BOX LID + LOCK | |
| 11 | 250501 | COIN BOX | |
| 12 | 0V3595 | LATCH | |
| 13 | 090861 | CYLINDER LOCK TYPE K | |
| 14 | 092218 | PASSE-PARTOUT LOCK K | |
| 15 | 250524 | CONNECTOR COVERING | |
| 16 | 251708 | MOLDING SECURING BRACKET | |
| 17 | 099153 | LAMP-HOLDER | |
| 18 | 251048 | WHEEL STRENGTHENING | |
| 19 | 096682 | SCREW 6X18 | |
| 20 | 0V3439 | WHEEL BUSH | |
| 21 | 0V3438 | WHEEL | |
| 22 | 251052 | UPPER CLOSING BRACKET | |
| 23 | 0V3588 | UPPER GUIDE | |
| 24 | 985532 | NEON LIGHT 36 WATT | |
| 25 | 091802 | STARTER TYPE S10 | |
| 26 | 0V1554 | STARTER HOLDER | |
| 27 | 094111 | INSULATING DOLLY BLOCK | |
| 28 | 0V3585 | STOPPER | |
| 29 | 251709 | LAMP SHIELD | |
| 30 | 251723 | WINDOW HINGE | |
| 31 | 251707 | REAR SPACER | |
| 32 | 0V0346 | DRAIN TUBE | |



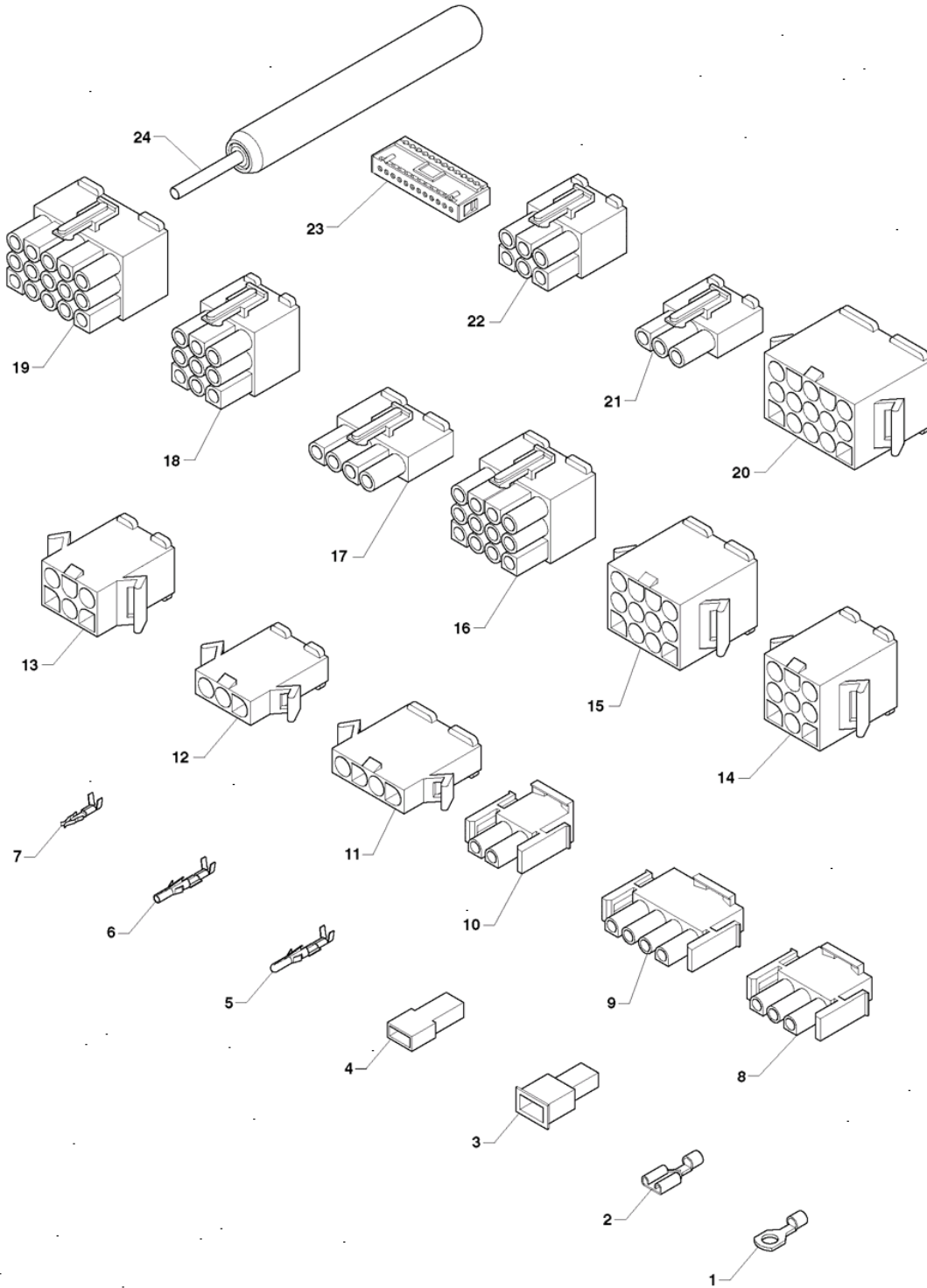
| | Code | Description | Notes |
|----|-------------|----------------------------------|--------------|
| 1 | 0V3440 | ELECTRICAL PANEL | |
| 2 | 098796 | TERMINAL BOARD | |
| 3 | 0V0014 | TRASFORMER | |
| 4 | 097257 | TERMINAL BOARD | |
| 5 | 097242 | SUB-TERMINAL BOARD | |
| 6 | 0V0016 | OUTR-VARISTOR CARD | |
| 7 | 094849 | COVERING-HOLDER | |
| 8 | 0V3512 | NET FILTER | |
| 9 | 0V3201 | FUSE HOLDER | |
| 10 | 0V3170 | 63 AMP FUSE | |
| 11 | 099778 | FUSE 4 A 24V | |
| 12 | 097676 | FUSE 800 MA | |
| 13 | 098779 | FUSE 6,3X32 1 AMP | |
| 14 | 097796 | SWITCH | |
| 15 | 987367 | 36-40WATT BALLAST | |
| 16 | 0V3513 | ELECTRICAL PANEL WIRING | |
| 17 | 090148 | CLIP | |
| 18 | 251712 | MAIN WIRING ASSEMBLY-SNAKKY MAX- | |
| 19 | 098165 | WIRE-FIXING | |
| 20 | 098459 | WIRE-CLIP | |
| 21 | 0V1654 | SWITCH KEY | |



| | Code | Description | Notes |
|----|-------------|--|--------------|
| 1 | 0V3486 | TRAY ASSEMBLY WITH 3 SELECTIONS | |
| 2 | 0V3495 | TRAY ASSEMBLY WITH 6 SELECTIONS-SNAKKY | |
| 3 | 0V3597 | TRAY ASSEMBLY WITH 5 SELECTIONS | |
| 4 | 0V3432 | RH STATIONARY GUIDE | |
| 5 | 0V3434 | RH BENT GUIDE | |
| 6 | 0V3435 | LH STATIONARY GUIDE | |
| 7 | 0V3436 | LH BENT GUIDE | |
| 8 | 0V3509 | DRAWER EDGE ELEVATION | |
| 9 | 0V3510 | DRAWER ELEVATION PIN | |
| 10 | 0V0102 | ROLLER | |
| 11 | 0V3493 | DRAWER WITH LABEL | |
| 12 | 0V3504 | TRAY LABEL | |
| 13 | 0V3497 | PRODUCT ELEVATION | |
| 14 | 0V0080 | BUSH FOR PIN | |
| 15 | 0V0079 | BUSH | |
| 16 | 250321 | ASSEMBLY FOR DOUBLE SPIRAL | |
| 17 | 250320 | ASSEMBLY FOR SINGLE SPIRAL | |
| 18 | 250084 | TRAY - 2 DOUBLE/2 SINGLE | |
| 19 | 0V3536 | LH SPIRAL, PITCH 80 (6 PRODUCTS) | |
| 20 | 0V3539 | LH SPIRAL, PITCH 40 (11 PRODUCTS) | |
| 21 | 0V3492 | DRAWER EDGE | |
| 22 | 0V3487 | TRAY | |
| 23 | 0V0075 | MOTOREDUCER | |
| 24 | 0V3494 | DRAWER WIRING | |
| 25 | 0V0099 | LEFT EJECTOR | |
| 26 | 0V0098 | RIGHT EJECTOR | |
| 27 | 0V3540 | RH SPIRAL, PITCH 24 1/2 TURN (19+19 PROD.) | |
| 28 | 0V3505 | SPIRAL INSERT 1/2 REV | |
| 29 | 0V3528 | BOTTLE BRIDGE | |
| 30 | 0V3500 | RH SPIRAL, PITCH 54 (8 PRODUCTS) | |
| 31 | 0V3502 | RH SPIRAL, PITCH 34 (13 PRODUCTS) | |
| 32 | 0V3503 | RH SPIRAL, PITCH 80 (6 PRODUCTS) | |
| 33 | 0V3529 | RH SPIRAL, PITCH 24 (19 PRODUCTS) | |
| 34 | 0V3530 | RH SPIRAL, PITCH 46 (10 PRODUCTS) | |
| 35 | 0V3531 | RH SPIRAL, PITCH 64 (7 PRODUCTS) | |
| 36 | 0V3537 | RH SPIRAL, PITCH 30 (15 PRODUCTS) | |
| 37 | 0V3538 | RH SPIRAL, PITCH 40 (11 PRODUCTS) | |
| 38 | 0V3501 | LEFT SPIRAL, PITCH 54 (8 PRODUCTS) | |
| 39 | 0V3532 | LH SPIRAL, PITCH 24 (19 PRODUCTS) | |
| 40 | 0V3533 | LH SPIRAL, PITCH 34 (13 PRODUCTS) | |
| 41 | 0V3534 | LH SPIRAL, PITCH 46 (10 PRODUCTS) | |
| 42 | 0V3535 | LH SPIRAL, PITCH 64 (7 PRODUCTS) | |



| | Code | Description | Notes |
|----|-------------|----------------------------|--------------|
| 1 | 251714 | REFRIGERATING GROUP | |
| 2 | 251720 | EVAPORATOR | |
| 3 | 251719 | COMPRESSOR WIRING | |
| 4 | 251716 | FAN SHIELD | |
| 5 | 250542 | DEHYDRATOR FILTER | |
| 6 | 251721 | CAPACITOR | |
| 7 | 251704 | CONDENSATE COLLECTION TRAY | |
| 8 | 251717 | BASIN COVER | |
| 9 | 985075 | CAPACITOR | |
| 10 | 986933 | COMPRESSOR GP 14 TB R134 | |
| 11 | 985074 | STARTING RELAY COMPRESSOR | |
| 12 | 985073 | COMPRESSOR-PROTECTION | |
| 13 | 250538 | 230-28° FAN WHEEL | |
| 14 | 251718 | COOLING FAN CONVEYOR | |
| 15 | 250035 | ELECTRICAL FAN 50/60HZ | |
| 16 | 987828 | FAN | |
| 17 | 250519 | EVAPORATOR FAN WIRING | |
| 18 | 251705 | CELL TRAY | |
| 19 | 250612 | TEMPERATURE PROBE | |
| 20 | 090148 | CLIP | |



| | Code | Description | Notes |
|----|-------------|-----------------------------------|--------------|
| 1 | 090957 | EYELET TERMINAL | |
| 2 | 090959 | FASTON W/O TONGUE | |
| 3 | 091192 | FASTON COVER | |
| 4 | 090247 | FEMALE FASTON COVER | |
| 5 | 095955 | TERMINAL MALE | |
| 6 | 096136 | TERMINAL FEMALE | |
| 7 | 094405 | TERMINAL FEMALE 2,5 | |
| 8 | 094954 | FEMALE HOLDER CONNECTOR 3-WAYS | |
| 9 | 098062 | 4-WAY CONNECTOR MATE-N-LOK AMP | |
| 10 | 094955 | FEMALE HOLDER CONNECTOR 2-WAYS | |
| 11 | 0V0809 | 4-PIN CONNECTOR/P MOLEX 3191 | |
| 12 | 0V0808 | 3-PIN CONNECTOR/P MOLEX 3191 | |
| 13 | 0V0810 | 6-PIN CONNECTOR/P MOLEX 3191 | |
| 14 | 0V0811 | 9-PIN CONNECTOR/P MOLEX 3191 | |
| 15 | 0V0812 | 12-PIN CONNECTOR/P MOLEX 3191 | |
| 16 | 0V0818 | 12-PIN CONNECTOR/P MOLEX 3191 | |
| 17 | 0V0815 | 4-PIN CONNECTOR/P MOLEX 3191 | |
| 18 | 0V0817 | 9-PIN CONNECTOR/P MOLEX 3191 | |
| 19 | 0V0819 | 15-PIN CONNECTOR/P MOLEX 3191 | |
| 20 | 0V0813 | 15-PIN CONNECTOR/P MOLEX 3191 | |
| 21 | 0V0814 | 3-PIN CONNECTOR/P MOLEX 3191 | |
| 22 | 0V0816 | 6-PIN CONNECTOR/P MOLEX 3191 | |
| 23 | 094961 | FEMALE HOLDER CONNECTOR P.I. 12-W | |
| 24 | 0V0820 | MOLEX CONTACT PULLER | |