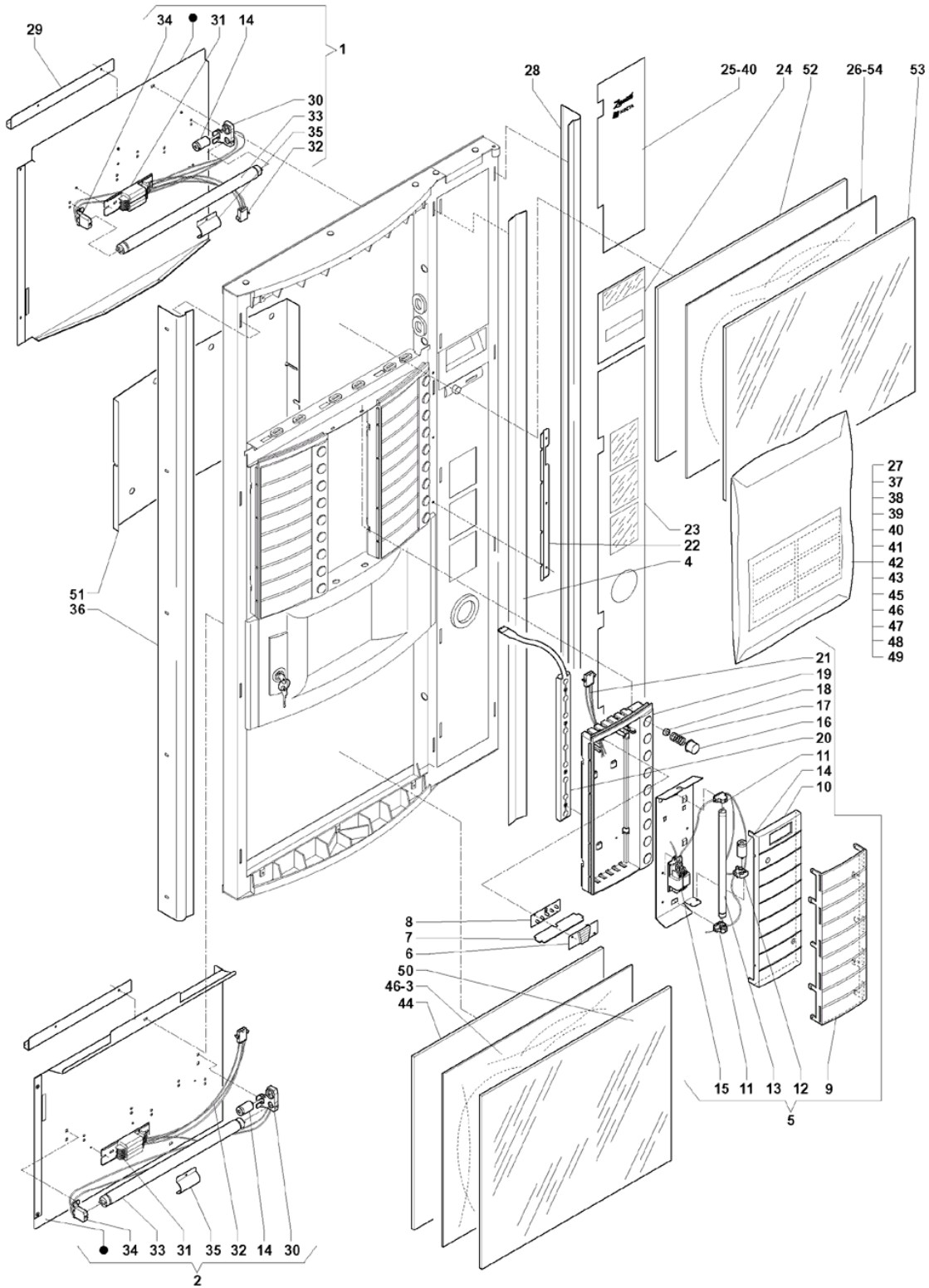


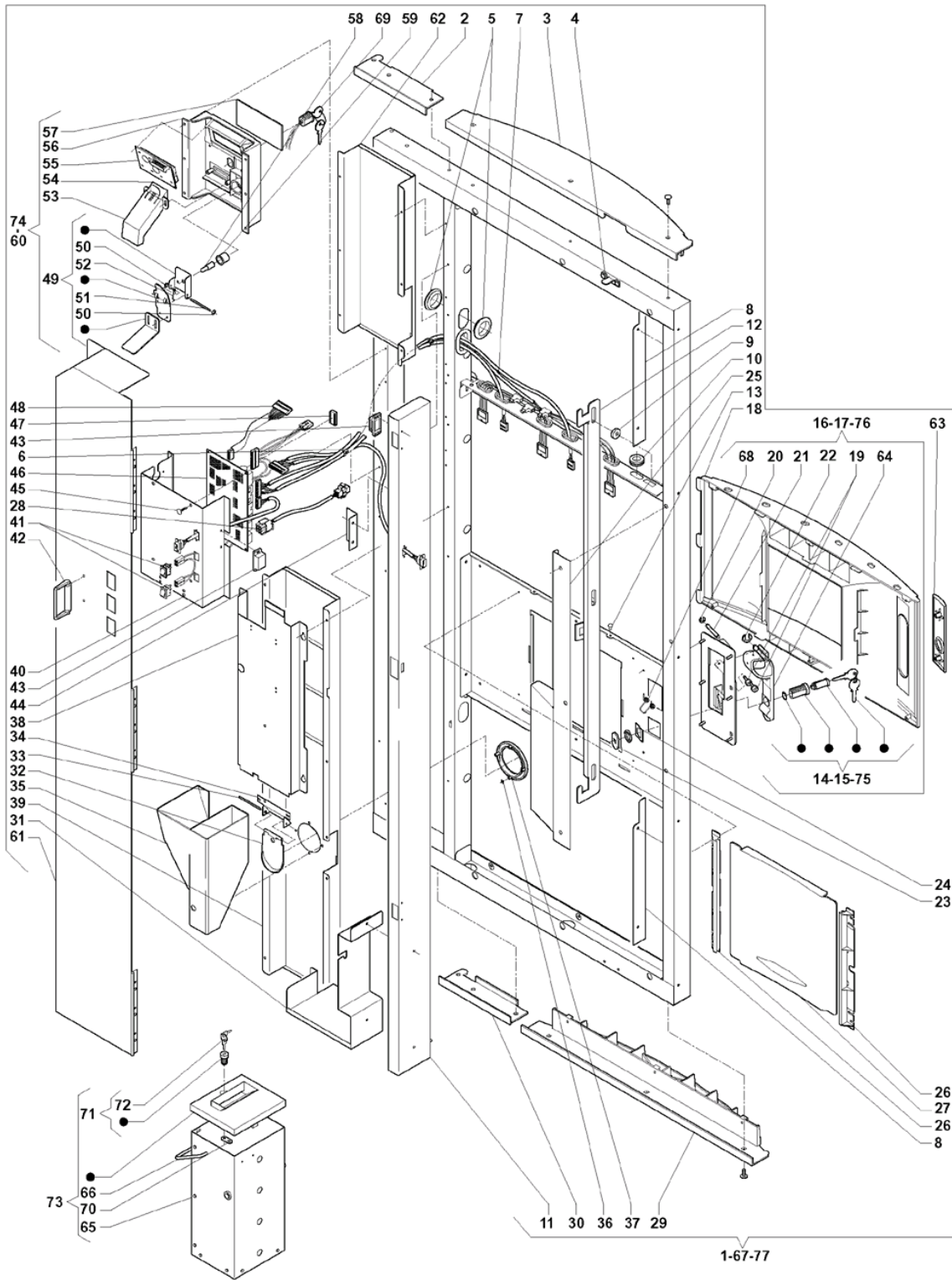
ZENITH ESPRESSO - INSTANT





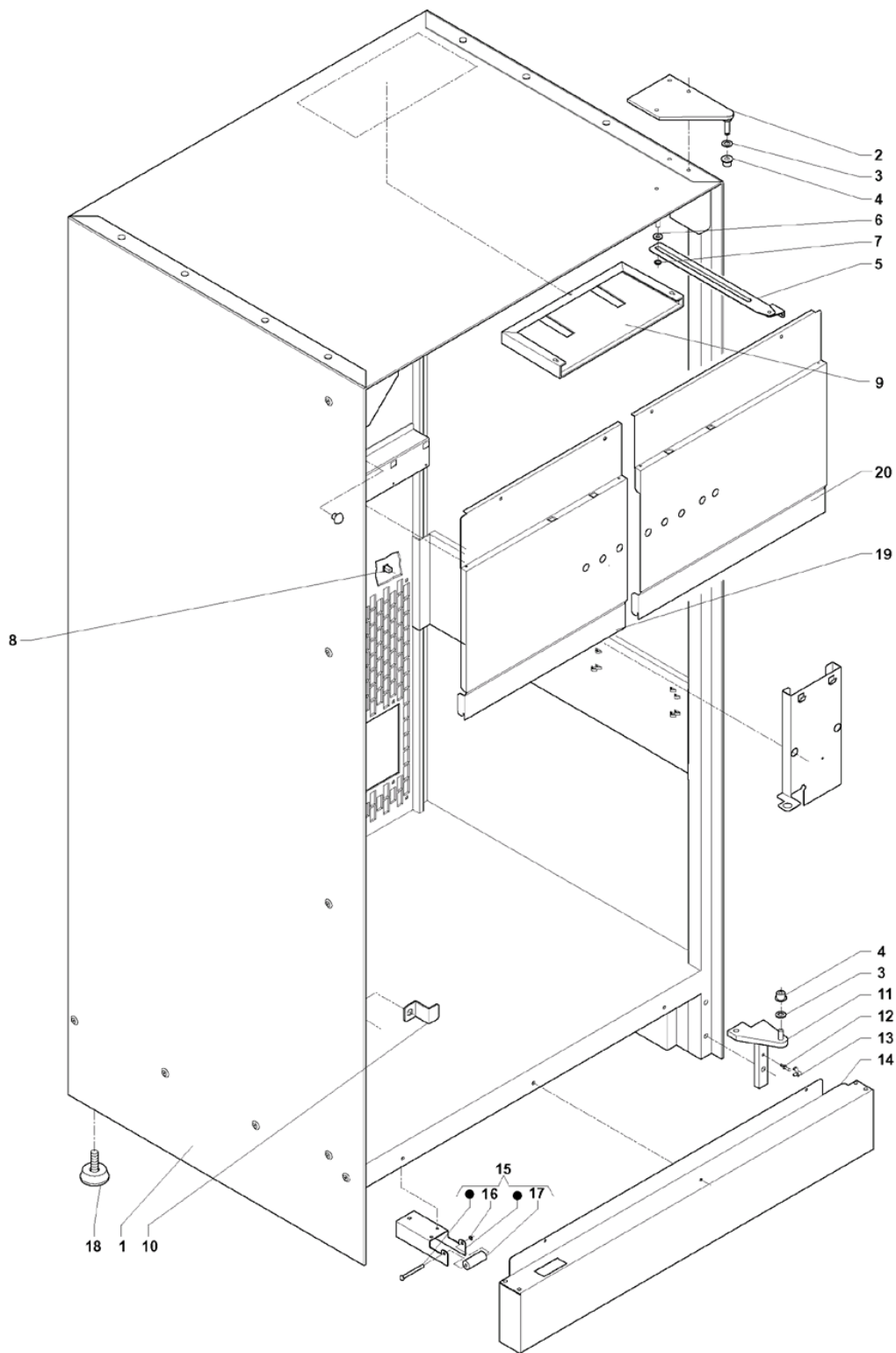
	Code	Description	Notes
1	0V2185	UPPER ILLUMINATED PANEL	
2	0V2186	LOWER ILLUMINATED PANEL	
3	0V3333	LOWER PHOTOGRAPHY	
4	0V2157	MIDDLE PROFILE	
5	0V2184	PUSH-BUTTON PANEL ASSY. WITH LAMP	
6	0V2148	CUP SIGNALLING CARD	
7	0V2077	LED CARD PROTECTIVE PLATE	
8	0V2145	SUGAR LED CARD	
9	250169	LABEL SCREEN	
10	0V2135	LABEL SUPPORT	
11	0V2130	LAMP HOLDER	
12	0V1554	STARTER HOLDER	
13	097266	LIGHT TYPE TL 8 W	
14	091802	STARTER TYPE S10	
15	097268	INDUCTOR TYPE BPL	
16	0V2133	SELECTION BUTTON	
17	0V2034	SELECTION BUTTON SPRING	
18	0V2134	SELECTION BUTTON SPACER	
19	250168	PUSH-BUTTON PANEL - BLACK -	
20	0V2132	MEMBRANE-TYPE PUSH-BUTTON PANEL	
21	0V2115	MENU LAMP WIRING	
22	0V2009	PUSH-BUTTON PANEL STRIKER PROFILE	
23	250196	LOWER DOOR LABEL -BLACK-	
24	0V4225	BLACK MIDDLE DOOR LABEL	
25	0V2085	UPPER DOOR LABEL -BLACK-	
26	0V3332	UPPER PHOTOGRAPHY	
27	250171	DOOR INSTRUCTION LABEL -D-	
28	0V1982	DOOR RIGHT PROFILE	
29	0V2005	DOOR CONTAINER SUPPORT	
30	987958	LAMP-HOLDER W/STARTER-HOLDER	
31	0V1011	BALLAST	
32	0V2116	PANEL LAMP WIRING	
33	0V0594	NEON	
34	099783	LAMP-HOLDER	
35	0V2468	LAMP PROTECTION	
36	0V1981	DOOR LEFT PROFILE	
37	0V3367	PRICE PLATE - EURO 0,01-	
38	0V2088	PRODUCT LABEL - ITALY	
39	0V2090	PRESELECTION PLATE	
40	250370	UPPER DOOR LABEL	
41	0V2094	PRODUCT LABEL 1 - GERMANY	
42	0V2096	PRODUCT LABEL 2 - GERMANY	
43	0V3368	PRICE PLATE - EURO 0,05-	
44	0V3337	LOWER OPAL-GLASS	
45	0V2273	PRODUCT LABELS 1 SPAIN	
46	250990	LOWER PHOTOGRAPHIC PANEL -SELECTA-	

	Code	Description	Notes
47	0V2346	PRODUCT LABELS 1 (FRANCIA)	
48	0V2347	PRODUCT LABELS 2 (FRANCIA)	
49	0V2348	DOOR LABEL-HOLDER -F-	
50	0V3336	LOWER TRASPARENT PANEL	
51	0V2339	REAR COVER	
52	0V3339	UPPER OPAL-GLASS	
53	0V3338	UPPER TRASPARENT PANEL	
54	250989	UPPER PHOTOGRAPHIC PANEL-SELECTA-	

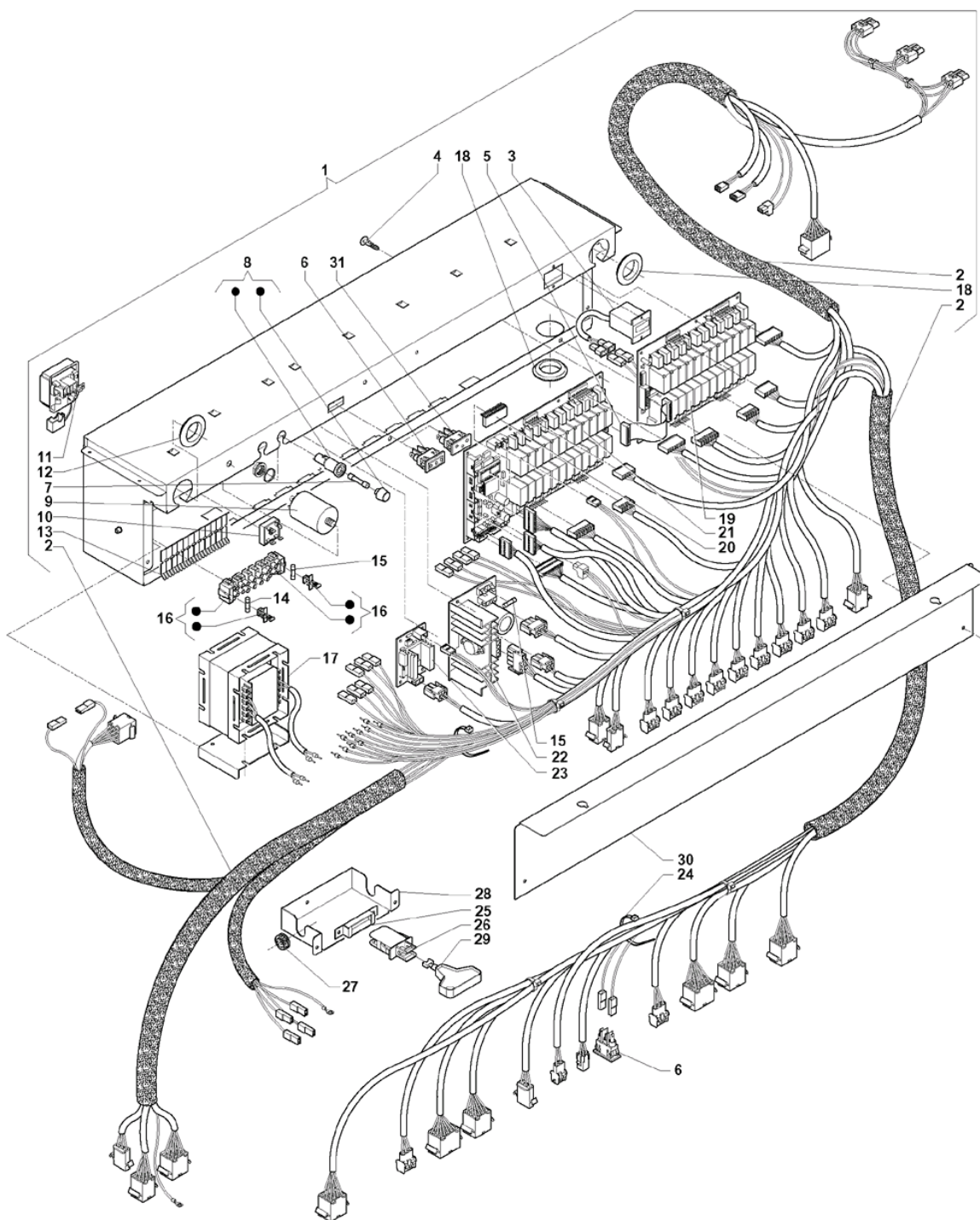


	Code	Description	Notes
1	0V2195	GRAY OPEN DISP. COMPARTMENT DOOR	
2	0V2139	UPPER HEAD EXTENSION -BLACK-	
3	0V4120	UPPER HEAD	
4	0V2017	DOOR MICRO-SWITCH ACTUATOR	
5	098600	CHOCK	
6	090148	CLIP	
7	0V2121	DOOR WIRING	
8	0V2006	PHOTOGRAPHIC PANEL STOP	
9	0V2047	LOCK ROD SPACER	
10	090020	WHIPPING MM 16	
11	0V1991	BOX	
12	0V2189	LOCK ROD	
13	098833	BUFFER	
14	099905	LOCK RIELDA	
15	098303	LOCK TYPE 'N'	
16	0V2176	CLOSING DEVICE -RIELDA-	
17	0V2275	CLOSING DEVICE -MERONI-	
18	0V2091	DISPENSING COMPARTMENT -BLACK-	
19	092738	WEDGE BUMPER	
20	091287	OUTER FIXING COLLAR	
21	093907	ROTATION PIVOT	
22	093171	OUTER FIXING COLLAR DIAM MM6	
23	0V2344	LOCK-BOLT	
24	093908	LOCKING POSITION DISK	
25	0V1999	LOCK COVER	
26	094482	SHUTTER GUIDE	
27	0V2093	DISPENSING COMPARTMENT DOOR	
28	987737	EXECUTIVE WIRING	
29	0V4121	LOWER HEAD -BLACK-	
30	0V2140	LOWER HEAD EXTENSION -BLACK-	
31	0V2021	COIN-BOX SUPPORT	
32	093890	MONEY RETURN SHUTTER	
33	093891	SHUTTER PIVOT	
34	097455	MONEY RETURN SHUTTER BRACKET	
35	0V2087	CASH RETURN CHUTE -BLACK-	
36	093829	LEVER LOCK CLIP	
37	0V2073	DARK GREY COIN RETURN FRAME	
38	0V1990	COIN MECH SUPPORT	
39	0V1987	LOWER ELEMENT	
40	0V1989	DOOR BOARD SUPPORT	
41	097807	BUTTON	
42	987216	HANDLE	
43	987939	MAGNETIC LOCK	
44	0V2020	BOARD SUPPORT STOP	
45	097175	CARD SPACER	
46	0V2141	16 BIT CPU BOARD	

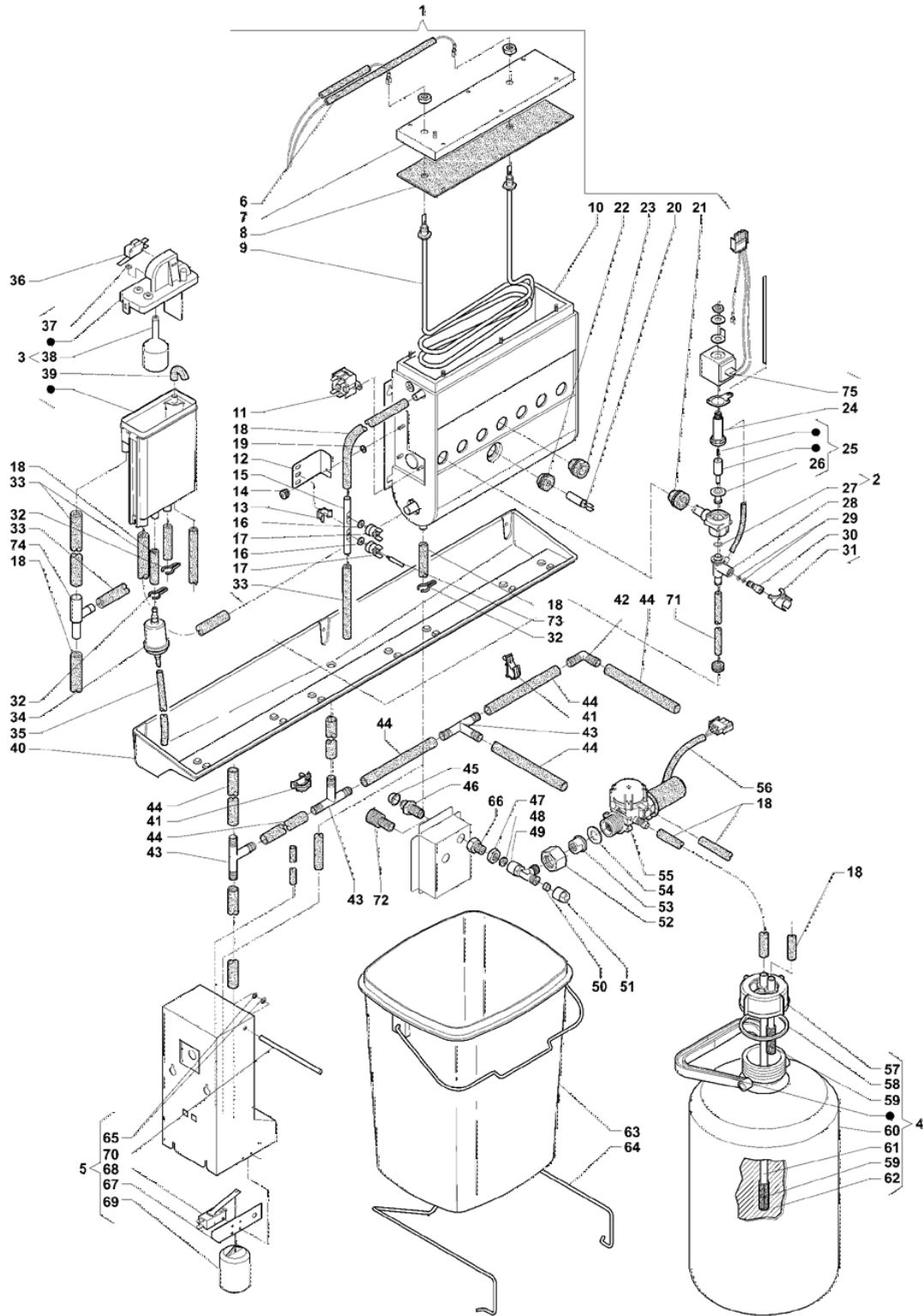
	Code	Description	Notes
47	0V2287	FLASH EPROM 2MB 2048K (TO BE PROGRAMMED)	
48	0V2120	DISPLAY WIRING	
49	0V2164	COIN RETURN	
50	093754	BENZING COLLAR QUICKBLOCK BQ DIAM MM	
51	099355	CHANGE GIVING PIN	
52	099356	SPRING FOR CHANGE	
53	0V2084	LOWER COIN SLOT CHUTE	
54	099357	UPPER SLIDE	
55	251658	DISPLAY 4X20 BLUE	
56	0V4249	DISPLAY-COIN SLOT SUPPORT-BLACK-	
57	0V2069	DISPLAY GLASS	
58	099351	ACTIVATOR	
59	0V2071	COIN RETURN BUTTON	
60	0V4245	COIN SLOT ASSEMBLY -BLACK-	
61	0V1986	BOX COVER	
62	0V1988	UPPER ELEMENT	
63	0V4127	HANDLE COVERING -BLACK -	
64	0V2345	DOOR LOCK HANDLE	
65	0V2188	COIN BOX	
66	0V2029	COIN-BOX HANDLE	
67	0V2196	GRAY CLOSED DISP. COMPARTMENT DOOR	
68	097329	OPENING HANDLE SPRING	
69	099743	FREE VEND SWITCH	
70	098551	BOLT	
71	090861	CYLINDER LOCK TYPE K	
72	092218	PASSE-PARTOUT LOCK K	
73	0V2276	COIN BOX WITH LID	
74	0V4246	COIN SLOT+SWITCH ASSEMBLY-BLACK-	
75	099043	LOCK TYPE'N'PREFER	
76	250371	CLOSING DEVICE -PREFER-	
77	250372	CLOSED DISP. COMPARTMENT DOOR-SELECTA	



	Code	Description	Notes
1	0V2194	CABINET	
2	0V2162	UPPER HINGE	
3	096988	WASHER	
4	0V2044	DOOR BUSH	
5	0V2160	DOOR STOP	
6	0V2043	DOOR STOP SPACER	
7	093470	FLAT WASHER MM 6,4	
8	094111	INSULATING DOLLY BLOCK	
9	250219	DOCUMENTATION HOLDER	
10	0V2353	LOCK COUPLER BRACKET	
11	0V2161	LOWER HINGE	
12	094159	FIXING PLUG	
13	094073	LOCK SPRING GRINDER AND COFFEE GROU	
14	0V3867	FEET COVER (BLACK)	
15	0V2166	DOOR ROLLER ASSEMBLY	
16	093198	CIRCULAR JUNK RING	
17	0V0601	ROLLER	
18	252124	4 FEET KIT	
19	0V2001	LEFT COVER FOR BOILER	
20	0V2002	RIGHT COVER FOR BOILER	

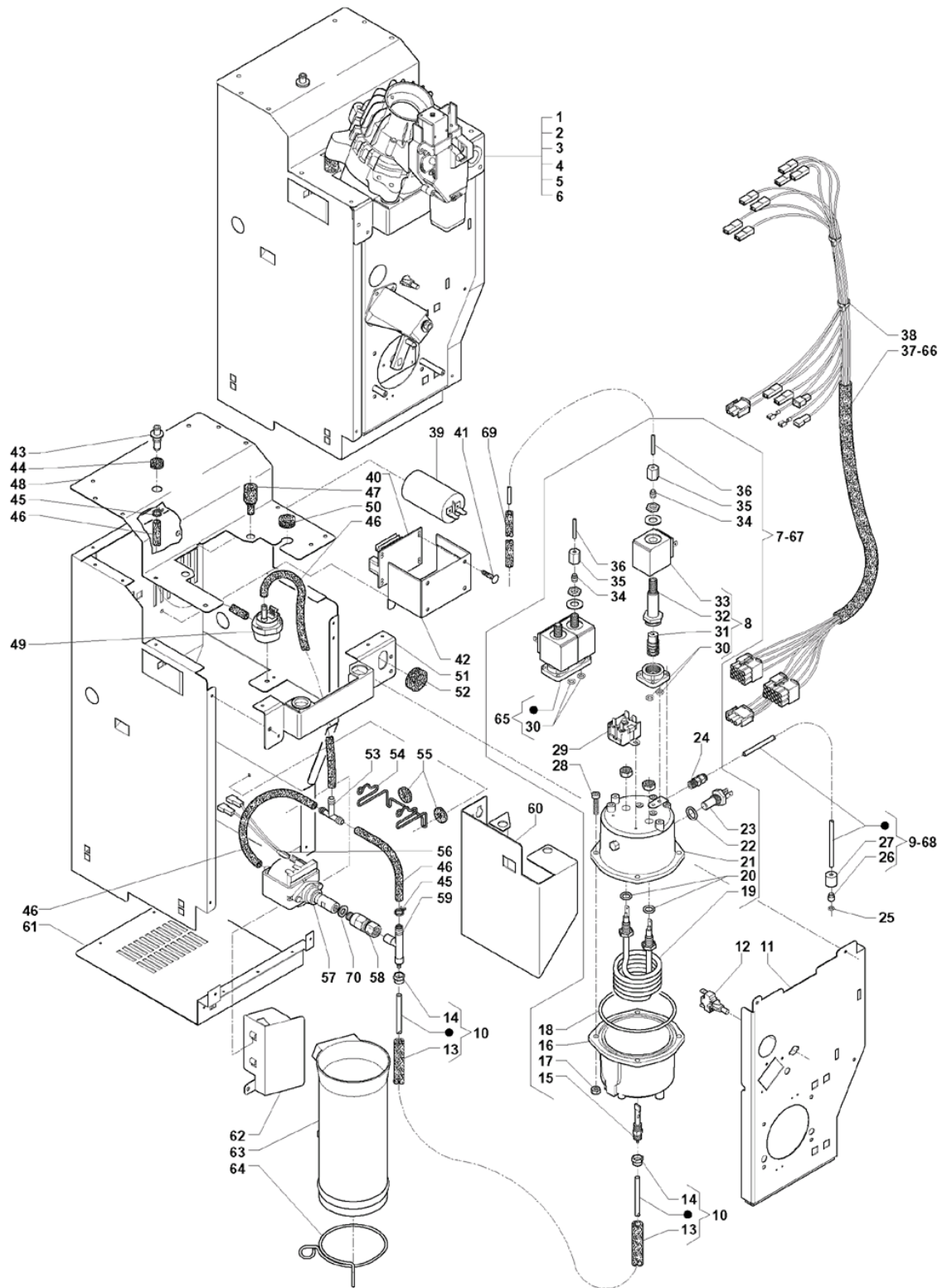


	Code	Description	Notes
1	0V2125	ELECTRICAL PANEL	
2	0V2110	MAIN WIRING	
3	0V2284	SCALER 24 VOLT	
4	097175	CARD SPACER	
5	0V2124	EXPANSION BOARD WIRING	
6	096921	POWER POINT 10 AMP	
7	095636	FUSE 15 A	
8	098192	FUSE-HOLDER 15 AMP.	
9	0V3512	NET FILTER	
10	094900	DIODE BRIDGE	
11	098796	TERMINAL BOARD	
12	090020	WHIPPING MM 16	
13	097242	SUB-TERMINAL BOARD	
14	097097	FUSE 2 AMP.5X20 DELAYED ACT	
15	098170	FUSE	
16	097241	3-POLE TERMINAL BOARD W/CARRIER	
17	098435	TRANSFORMER	
18	098600	CHOCK	
19	0V2144	EXPANSION BOARD	
20	095004	EPROM 512K(TO BE PROGRAMMED)	
21	0V2142	CONTROL BOARD	
22	097808	FEEDING BOARD	
23	0V2143	BOILER CONTROL BOARD	
24	090148	CLIP	
25	098797	SWITCH SUPPORT	
26	097796	SWITCH	
27	090021	WHIPPING DIAM 10,5 MM	
28	0V2004	DOOR-SWITCH COVER	
29	0V1654	SWITCH KEY	
30	0V1983	ELECTRICAL PANEL COVER	
31	0V1621	SOCKET	



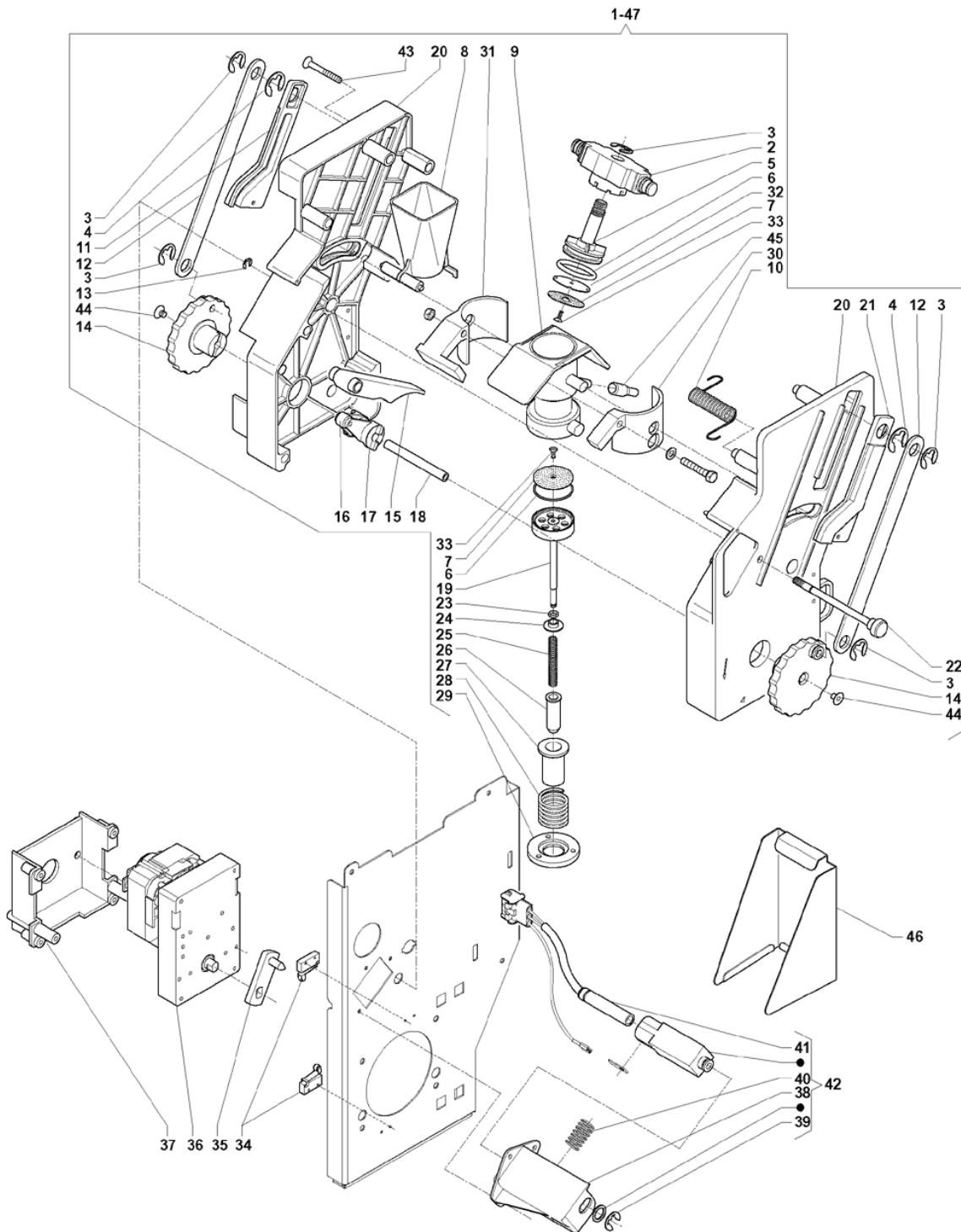
	Code	Description	Notes
1	0V2100	INSTANT BOILER ASSEMBLY	
2	0V2153	INSTANT PROD. ELECTROVALVE	
3	0V1133	AIR-BREAK ASSEMBLY	
4	094124	DEPURATOR COMPLETE	
5	0V2102	FLOAT ASSEMBLY	
6	0V2118	INSTANT BOILER WIRING	
7	0V2155	BOILER LID	
8	0V2055	BOILER LID SEAL	
9	0V2109	2000W- 220V HEATING ELEMENT	
10	0V2193	BOILER ASSEMBLY	
11	0V1364	105 DEGREE SAFETY THERMOSTAT	
12	099916	THERMOSTAT SUPPORT	
13	098484	HOSE FIXING	
14	097699	KNURL M4	
15	099458	TUBE FOR 2 THERMOSTAT	
16	094597	COPPER WASHER	
17	0V2129	THERMOSTAT 82 C	
18	097512	SILICONE HOSE 6X12 BROWN	
19	093179	INSULATING WASHER MOTOREDUCTER	
20	0V0157	FEELER	
21	099847	GASKET	
22	099918	GASKET FOR FEELER	
23	099928	STOPPER GASKET	
24	0V3552	VALVE BUSH	
25	0V3550	ELECTROVALVE NUCLEUS	
26	0V3551	MEMBRANE-GASKET	
27	0V3554	GASKET O-RING	
28	0V3553	LOWER ELECTRICVALVE BODY	
29	099064	ADJUSTING-SCREW-GASKET	
30	0V3555	ADJUSTING-SCREW + O-RING	
31	0V3556	LOWER BODY STOP	
32	092703	TUBE CLAMP	
33	097515	SILICONE HOSE 10X16 BROWN	
34	097435	WATER FILTER VOLUMETRIC COUNTER	
35	097510	SILICONE HOSE 5X9 BROWN	
36	0V1141	MICROSWITCH	
37	090421	GASKET	
38	0V1126	AIR-BREAK FLOAT	
39	0V1749	WATER/AIR-BREAK CONNECTION	
40	0V4223	BOILER - AIR BREAK TRAY	
41	098459	WIRE-CLIP	
42	094571	UNION 90 DEGREES	
43	096552	UNION T-SHAPE	
44	093628	HOSE VIPLA TRANSPARENT DIAM MM 14X1	
45	099805	STOPPER	
46	0V2199	UNION 1/4	

	Code	Description	Notes
47	092652	LOCK NUT 1/4 REV	
48	092388	TIGHTENING RING	
49	095586	BANJO UNION T-SHAPE	
50	096656	PLUG COLLAR	
51	092387	TIGHTENING NUT	
52	093951	TIGHTENING NUT G 3/4	
53	093952	WATER INLET CONNECTION NIPPLE	
54	092364	UNION GASKET 3/4	
55	0V2154	WATER INLET ELECTROVALVE	
56	0V2119	ELECTROVALVE WIRING	
57	094126	DEPURATOR LID	
58	092942	DEPURATOR COVERING GASKET	
59	091993	DEPURATOR FILTER	
60	094124	DEPURATOR COMPLETE	
61	094127	WATER OUTLET PIPE	
62	091995	RESIN DEPURATOR 5 LITRES	
63	097530	SQUARE WASTE BASKET BROWN	
64	0V2030	LIQUID CONTAINER STOP	
65	091287	OUTER FIXING COLLAR	
66	0V1400	STRAIGHT CONNECTOR	
67	092761	INSULATING DISK	
68	093308	MICROSWITCH SERIE RLL/D	
69	094294	FLOAT	
70	0V2357	PIVOT	
71	097511	SILICONE HOSE 6X9 BROWN	
72	097441	WATER INLET INTERMEDIATE HYP.-2	
73	0V2074	THERMOSTAT ACTUATOR	
74	094185	CODENSE RECOVERY UNION	
75	0V3359	LOCK ELECTROVALVE REF.0V2153	



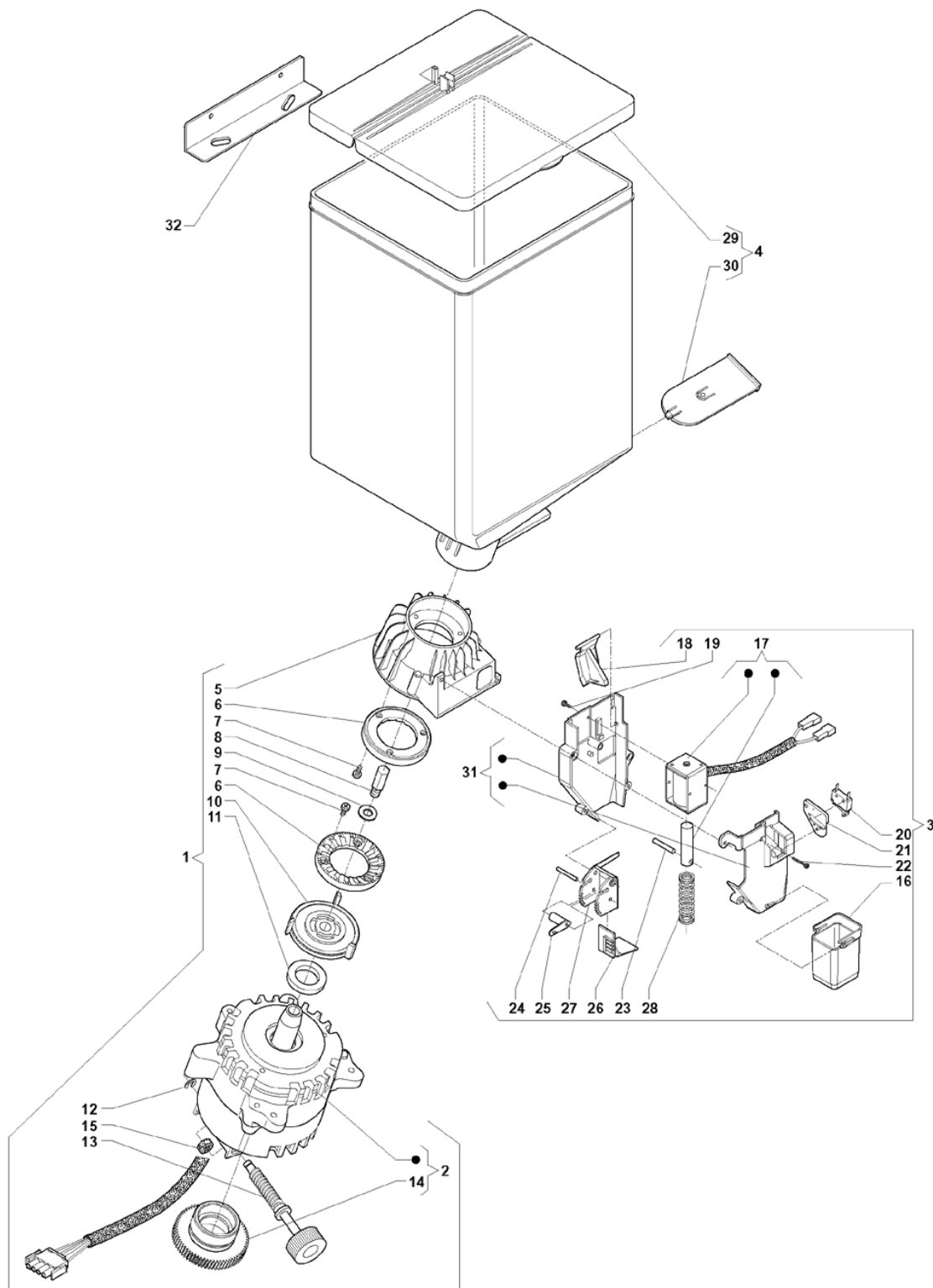
	Code	Description	Notes
1	0V2181	COFFEE BRACKET	
2	0V2259	LH COFFEE BRACKET FOR D. COFFEE VER.	
3	0V2260	RH COFFEE BRACKET FOR D. COFFEE VER.	
4	0V2285	COMPLETE COFFEE CONSOLE WITHOUT HEATING	
5	0V2300	COFFEE-SHELF (DOUBLE COFFEE) LEFT	
6	0V2301	COFFEE-SHELF (DOUBLE COFFEE) RIGHT	
7	0V2469	COMPLETE COFFEE BOILER	
8	097470	3-WAY ELECTROVALVE 220V	
9	0V2165	PISTON PIPE	
10	0V2158	PUMP PIPE/COFFEE BOILER	
11	0V2191	BRACKET SLIDER	
12	099619	PUSH BUTTON	
13	097685	SILICONE HOSE BROWN 7,5X12	
14	099107	NUT	
15	098758	STRAIGHT UNION	
16	099746	LOWER BOILER-COVER	
17	985318	NUT	
18	099748	GASKET	
19	099653	HEATING ELEMENT 1450 W	
20	092140	GASKET O-RING 112	
21	099747	UPPER BOILER-COVER	
22	095624	GASKET O-RING 116 EP851	
23	094872	BOILER TEMPERATURE PROBE	
24	0V1434	STRAIGHT UNION	
25	094611	GASKET O-RING	
26	098711	BUSH PISTON PIPE	
27	098699	UNION FOR PISTON PIPE	
28	096194	SCREW M6X25	
29	0V1318	125 DEGR. THERMOSTAT	
30	090421	GASKET	
31	250348	3-WAY ELECTROVALVE NUCLEUS- RUBY-	
32	250016	3-WAY ELECTROVALVE PIPE	
33	099057	ELECTROV.-COIL 220/230 VOLT	
34	093635	TIGHTENING RING ELECTRICAL DE-AERAT	
35	093636	TIGHTENING NUT ELECTR. DE-AERATION	
36	092068	TEFLON PIPE DIAM MM 2X4	
37	0V2112	COFFEE BRACKET WIRING	
38	090148	CLIP	
39	0V2152	CAPACITOR 20MF 500V	
40	0V2143	BOILER CONTROL BOARD	
41	097175	CARD SPACER	
42	0V2305	CARD SUPPORT	
43	0V2058	BRACKET WATER CONNECTION	
44	0V2127	FAIRLEAD	
45	094329	HOSE CLIP	
46	097510	SILICONE HOSE 5X9 BROWN	

	Code	Description	Notes
47	099484	LITTLE RUBBER	
48	0V2024	UPPER COVER	
49	098707	VOLUMETRIC COUNTER	
50	090021	WHIPPING DIAM 10,5 MM	
51	0V2159	GRINDER MOTOR SUPPORT	
52	090020	WHIPPING MM 16	
53	094231	UNION T-SHAPE	
54	098697	PUMP SUPPORT	
55	093091	PUMP DAMPER	
56	098815	90 DEGREES THERMIC PROTECTION	
57	098760	PUMP (VIBRATION)	
58	099101	NO-RETURN VALVE	
59	098764	BY-PASS PUMP	
60	0V2025	COFFEE BOILER SUPPORT	
61	0V2023	LOWER COVER	
62	0V1993	DRAIN PIPE SUPPORT	
63	094047	PASTILLE BAG HOSE	
64	094048	BAG LOCK COLLAR	
65	0V2256	DOUBLE ELECTROVALVE BLOCK	
66	0V2254	DOUBLE ESPRESSO BRACKET WIRINGT	
67	0V2258	COFFEE BOILER FOR DOUBLE COFFEE VER.	
68	0V2257	SECOND UNIT PISTON TUBE	
69	094386	HOSE VIPLA MM 6X9	
70	251143	ALUMINIUM WASHER	

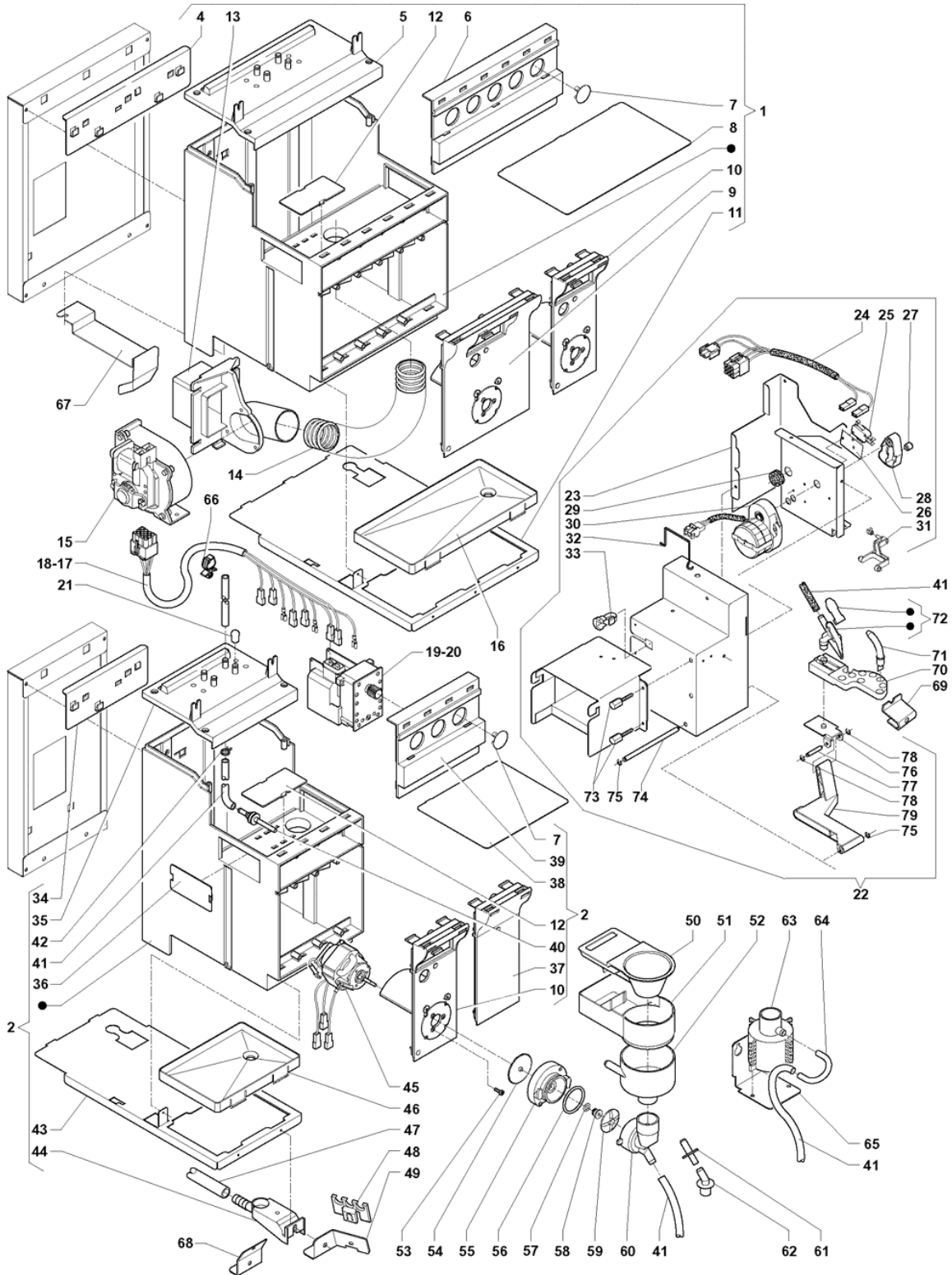


	Code	Description	Notes
1	0V1678	Z2000M UNIT/CHAMBER HEATED	
2	098568	CROSS-BAR	
3	092717	FIXING COLLAR DIAM MM10	
4	096569	FIXING COLLAR DIAM 12	
5	098577	UPPER PISTON	
6	093167	SILICONE GASKET OR 4118 .	
7	098687	COFFEE FILTER	
8	098570	COFFEE CHUTE	
9	0V1715	BREWING CHAMBER W/PLUG	
10	098920	SCRAPER	
11	098571	REAR SLEDGE	
12	098565	TRACE FOR PISTON COMMAND	
13	098818	STOPPING RING D.4	
14	098573	CRANK	
15	098575	OSCILLATING LEVER	
16	098692	ROTATING LEVER ROLL	
17	098574	ROTATING LEVER	
18	098693	ROD CRANK BLOCKING	
19	099490	LOWER PISTON	
20	0V1714	FRONT AND REAR SHOULDER	
21	098572	FRONT SLEDGE	
22	098694	ROD WITH KNURL	
23	090421	GASKET	
24	098690	CONTROL BUSH	
25	098688	PISTON RETURN SPRING	
26	098691	LOWER PISTON GUIDE	
27	098567	LID FOR SPRING	
28	098689	PREINFUSION SPRING	
29	098569	FLANGE FOR SPRING	
30	0V1784	FRONT PANEL	
31	0V1785	REAR PANEL	
32	0V1789	WATER DEFLECTOR	
33	0V1963	S/S M3X10 SCREW	
34	096355	MICRO SWITCH	
35	098763	CRANK WITH PIN	
36	098708	MOTOREDUCER	
37	098566	MOTOREDUCER SUPPORT	
38	0V1787	SUPPORT	
39	987948	LOCKING WASHER	
40	0V1788	CONTACT SPRING	
41	0V1786	25 WATT 110/265 V RESISTOR	
42	0V1783	Z2000M HEATER WITH SUPPORT	
43	250290	SCREW 4,2X26	
44	0V3889	SCREW 6X14	
45	0V2359	BREWING CHAMBER REDUCTION	
46	0V2000	COFFEE UNIT COVERING	

	Code	Description	Notes
47	0V1358	Z2000M COFFEE UNIT	

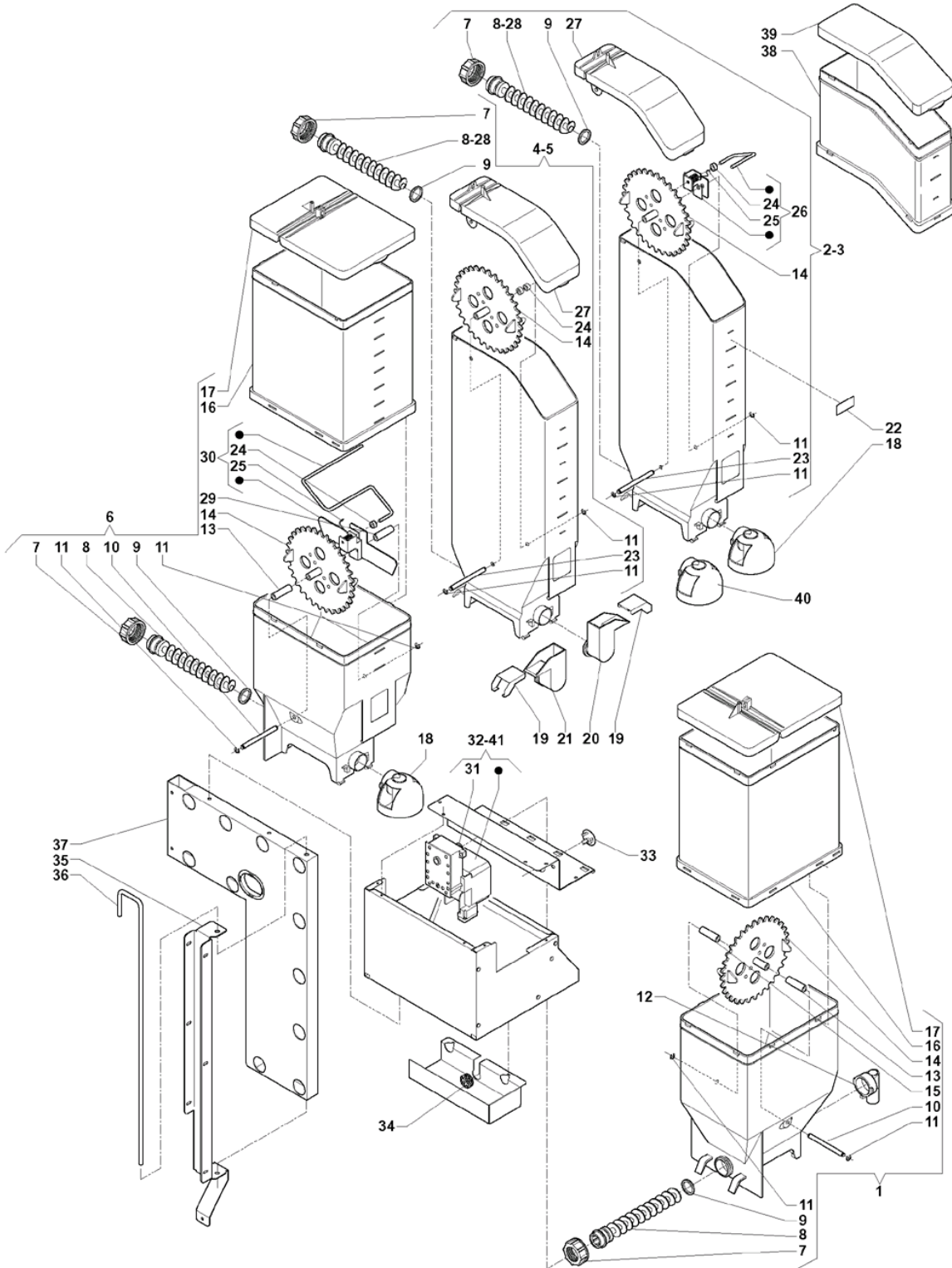


	Code	Description	Notes
1	0V2180	GRINDER ASSEMBLY	
2	0V2106	GRINDER MOTOR	
3	0V2179	COFFEE DOSER UNIT ASSEMBLY	
4	0V2182	COFFEE CONTAINER	
5	0V2337	GRINDER-CAP	
6	095840	GRINDER	
7	095809	SELF-THREADING SCREW (M4)	
8	0V2031	LEFT-HAND SCREW THREAD	
9	096988	WASHER	
10	0V2026	GRINDER-HOLDER FAN	
11	0V2080	COFFEE SEAL RING	
12	093171	OUTER FIXING COLLAR DIAM MM6	
13	099474	REGULATION SCREW	
14	0V2078	ADJUSTING KNOB	
15	099457	WASHER	
16	0V2045	DOSER UNIT EXTENSION	
17	098716	ELECTROMAGNET 220V	
18	0V2061	MICRO-SWITCH ACTUATOR	
19	092657	CLOSS SLOT SCREW 3X6TC	
20	0V2131	BURGESS MICRO-SWITCH	
21	0V2082	ADAPTER PLATE	
22	096097	SCREW	
23	093832	ROD PIVOT	
24	098822	PIN FOR LEVER	
25	098644	LEVER FOR RULE	
26	098643	RULE COFFEE-DOSES	
27	098642	SHUTTER COFFEE-DOSER	
28	098696	SPRING DOSER ELECTROMAGNET	
29	0V2083	COFFEE CONTAINER LID	
30	098630	ROLL-UP FOR CONTAINER	
31	251128	COFFEE DOSER-BODY	
32	250668	COUPLING BRACKET	

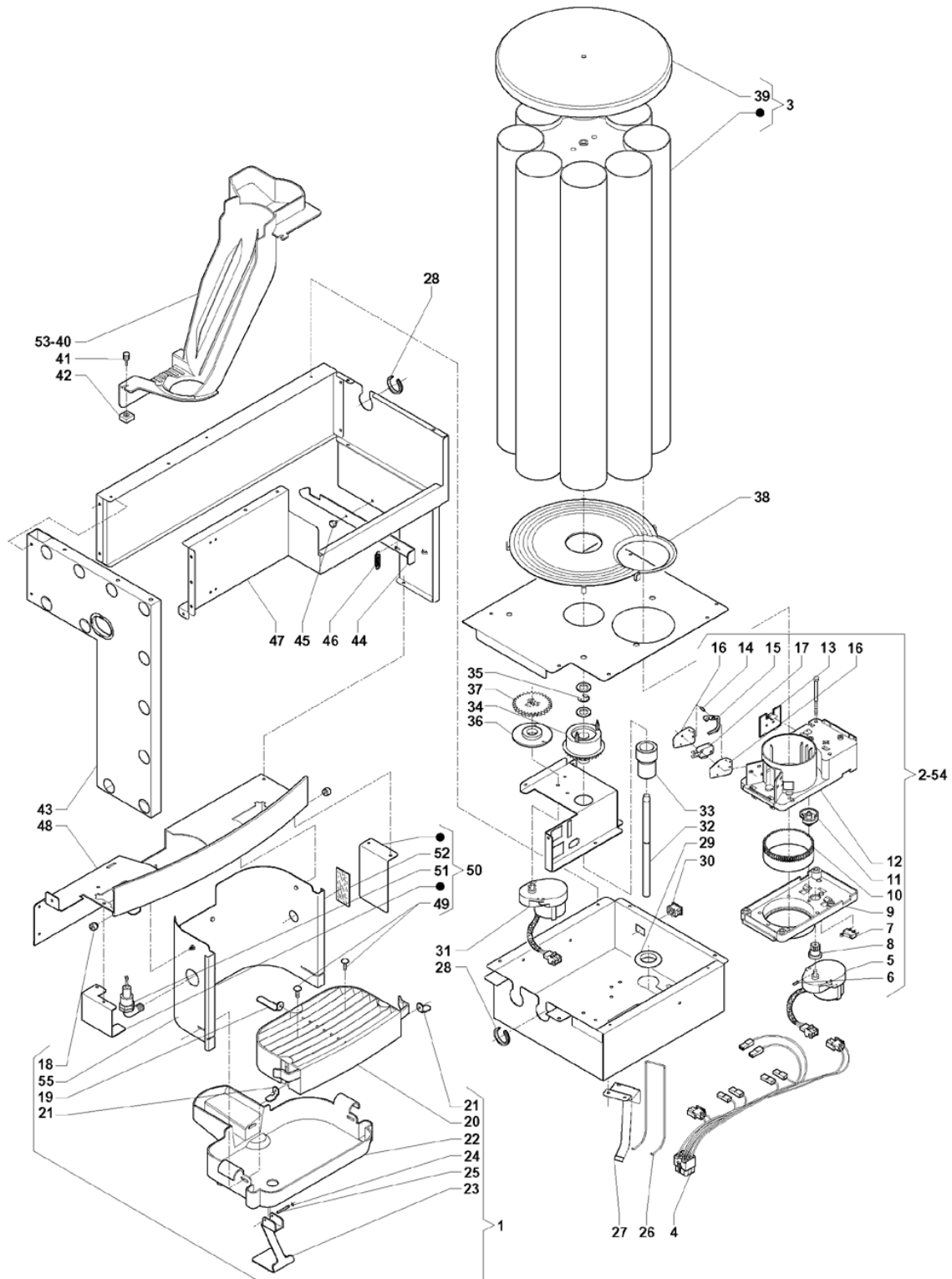


	Code	Description	Notes
1	0V4201	MIXER BRACKET 231	
2	0V4202	MIXER BRACKET 154	
3	250180	SPOUT MOVING	
4	0V4197	BRACKET SUPPORT 231	
5	0V4203	SUPPORT 231	
6	0V4205	RATIOMOTOR SUPPORT 231	
7	0V4199	PLUG	
8	0V4194	CONTAINER SUPPORT 231	
9	0V4209	DOUBLE SUPPORT '1' MIXER	
10	0V4208	'1' MIXER SUPPORT	
11	0V4193	TRAY SUPPORT 231	
12	0V4211	AIR THROTTLER PLATE	
13	0V4210	FAN SUPPORT	
14	096459	HOSE DIAM 32	
15	098583	ELECTROVENTILATOR	
16	0V2050	BRACKET TRAY 231	
17	0V4216	BRACKET WIRING 231	
18	0V4215	BRACKET WIRING 154	
19	0V3726	RATIOMOTOR 78 RPM	
20	0V3725	RATIOMOTOR 52 RPM	
21	250162	PLUG	
22	0V2104	SPOUT MOTION ASSEMBLY	
23	0V1992	SPOUT BOX COVER	
24	0V2123	MOBILE SPOUT WIRING	
25	0V1931	MICROSWITCH 'UL'	
26	090681	INSULATING DISK	
27	099635	ROLLER	
28	0V2062	SPOUT MOTION CAM	
29	090021	WHIPPING DIAM 10,5 MM	
30	0V2151	RATIOMOTOR	
31	0V2063	SPOT IDLE ROCKER	
32	0V2036	PIPE GUIDE SPRING	
33	096653	ANTITEAR WHIPPING	
34	0V4198	BRACKET SUPPORT 154	
35	0V4204	SUPPORT 154	
36	0V4214	AIR FLOW CLOSING PLATE	
37	0V4207	'0' MIXER SUPPORT	
38	0V4196	CONTAINER SUPPORT 154	
39	0V4206	RATIOMOTOR SUPPORT 154	
40	0V4212	WATER NOZZLE	
41	097511	SILICONE HOSE 6X9 BROWN	
42	094329	HOSE CLIP	
43	0V4195	TRAY SUPPORT 154	
44	0V4213	RUBBER PIECE HOLDER	
45	098808	MOTORMIXER	
46	0V2052	BRACKET TRAY 154	

	Code	Description	Notes
47	093628	HOSE VIPLA TRANSPARENT DIAM MM 14X1	
48	098728	PIPES-SUPPORT	
49	0V2308	RIGHT BRACKET	
50	0V1534	DRAWER COVER	
51	0V1537	SUCTION DRAWER	
52	0V1535	WATER FUNNEL	
53	099773	SCREW	
54	099889	DISK	
55	097911	FLANGE FOR MIXER	
56	094540	GASKET O-RING 3125	
57	099880	GASKET	
58	097917	BUSH SEAL	
59	097916	MIXER VENTILATOR	
60	097912	CONVEYOR FOR MIXER	
61	097914	COFFEE CHOKE	
62	097913	ELBOW FOR MIXER	
63	097923	COIL FOR TEA	
64	097970	PIPE FOR COIL	
65	0V2003	COIL SUPPORT FOR TEA	
66	0V4200	CABLE RETAINER	
67	0V2008	BRACKET FIXED COUPLING	
68	0V2307	LEFT BRACKET	
69	0V2249	DOUBLE ESPRESSO HOSE SUPPORT	
70	0V2059	SPOUT HOLDER PLATE	
71	097953	POINTED NOZZLE	
72	0V1359	COFFEE DISPENSING SPOUT	
73	0V2032	POSITION ADJUSTING SCREW	
74	0V2039	PIN FOR MOBILE SPOUT LINK	
75	091959	BENZING COLLAR DIAM MM4	
76	0V2060	SPOUT COUPLING BRACKET	
77	0V2038	SHORT PIN FOR MOBILE SPOUTS	
78	091737	CIRCLIP DIN 6799	
79	0V2064	SPOUT MOTION LINK	

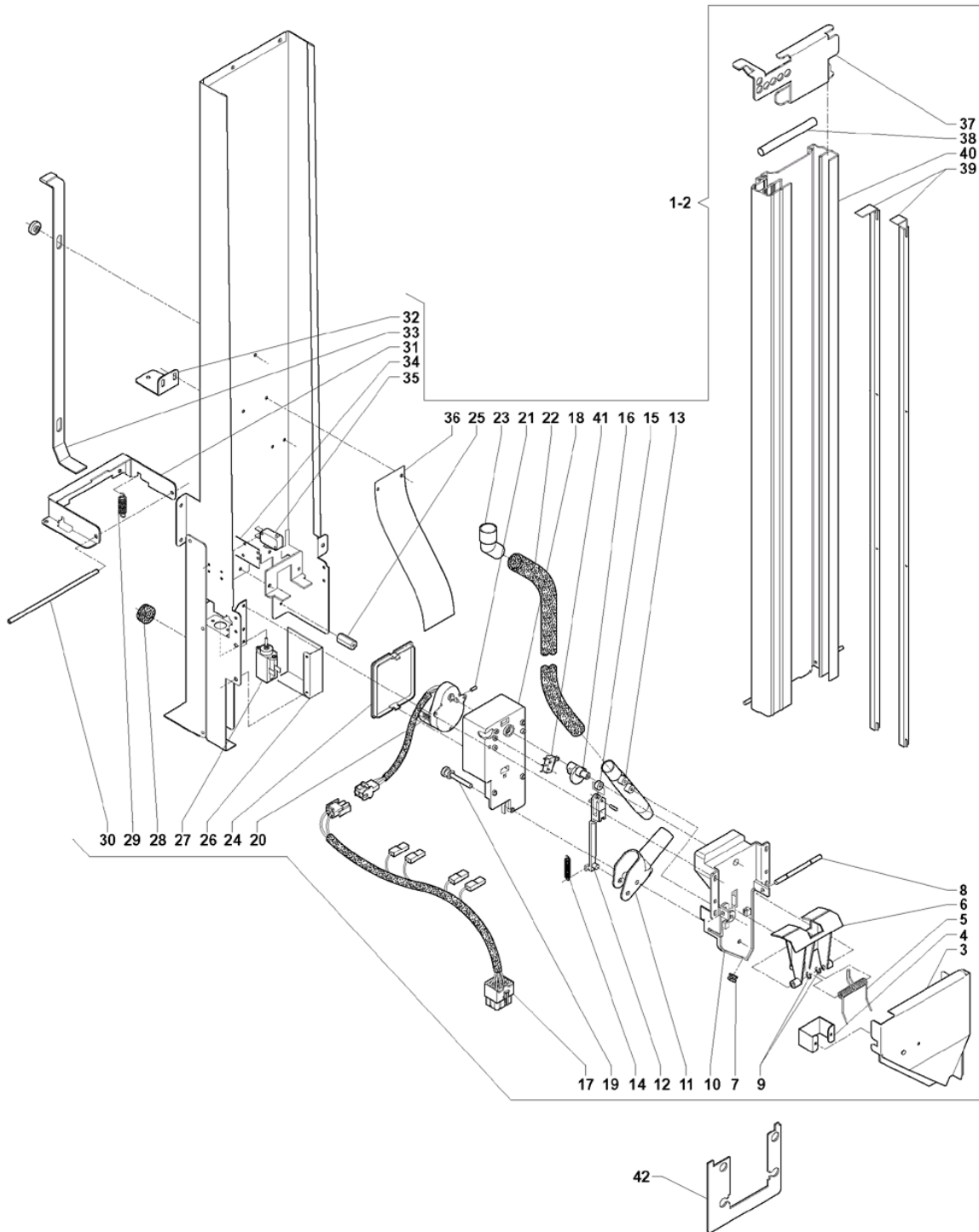


	Code	Description	Notes
1	0V2183	DOUBLE CONTAINER	
2	0V2175	LONG AUGER CONTAINER+BEATER	
3	0V2177	NORMAL AUGER CONTAINER+BEATER	
4	0V2173	NORMAL AUGER CONTAINER	
5	0V2174	LONG AUGER CONTAINER	
6	0V2178	DOUBLE CONTAINER ASSEMBLY	
7	095849	CONTAINER RING NUT	
8	098609	SCROLL	
9	095829	GASKET O-RING	
10	0V0161	PIN FOR WHEEL	
11	091959	BENZING COLLAR DIAM MM4	
12	098939	CANISTER-OPENING	
13	0V0163	LEFT SPACER	
14	095936	WHEEL	
15	0V0164	RIGHT SPACER	
16	0V2046	CONTAINER EXTENSION	
17	0V0421	COVER	
18	0V1536	CONTAINER OPENING	
19	0V2076	CONVEYOR COVER	
20	0V2070	RH POWDER FEEDER	
21	0V2072	LH POWDER FEEDER	
22	097502	NAMEPLATE GROUP CONTAINER INSTANT P	
23	0V1962	PIN FOR WHEEL	
24	098812	SPACER	
25	099442	SPRING	
26	099494	CANISTER-BEATER	
27	0V2048	POWDER CONTAINER LID	
28	098608	LONG SCROLL	
29	0V2056	RIGHT-HAND SPACER	
30	0V2338	CANISTER-BEATER	
31	099882	PINION (FOR SMALL SHAFT)	
32	098715	MOTORDOSER 45 G.	
33	0V1636	PLUG D.25	
34	090021	WHIPPING DIAM 10,5 MM	
35	0V2007	BRACKET HINGE	
36	0V2037	BRACKET PIN	
37	0V2190	BRACKET ASSEMBLY	
38	0V2926	CONTAINER EXTENSION	
39	0V2927	CONTAINER EXTENSION COVER	
40	0V3719	SQUARE OPENING	
41	098807	MOTORDOSER 65 G.	

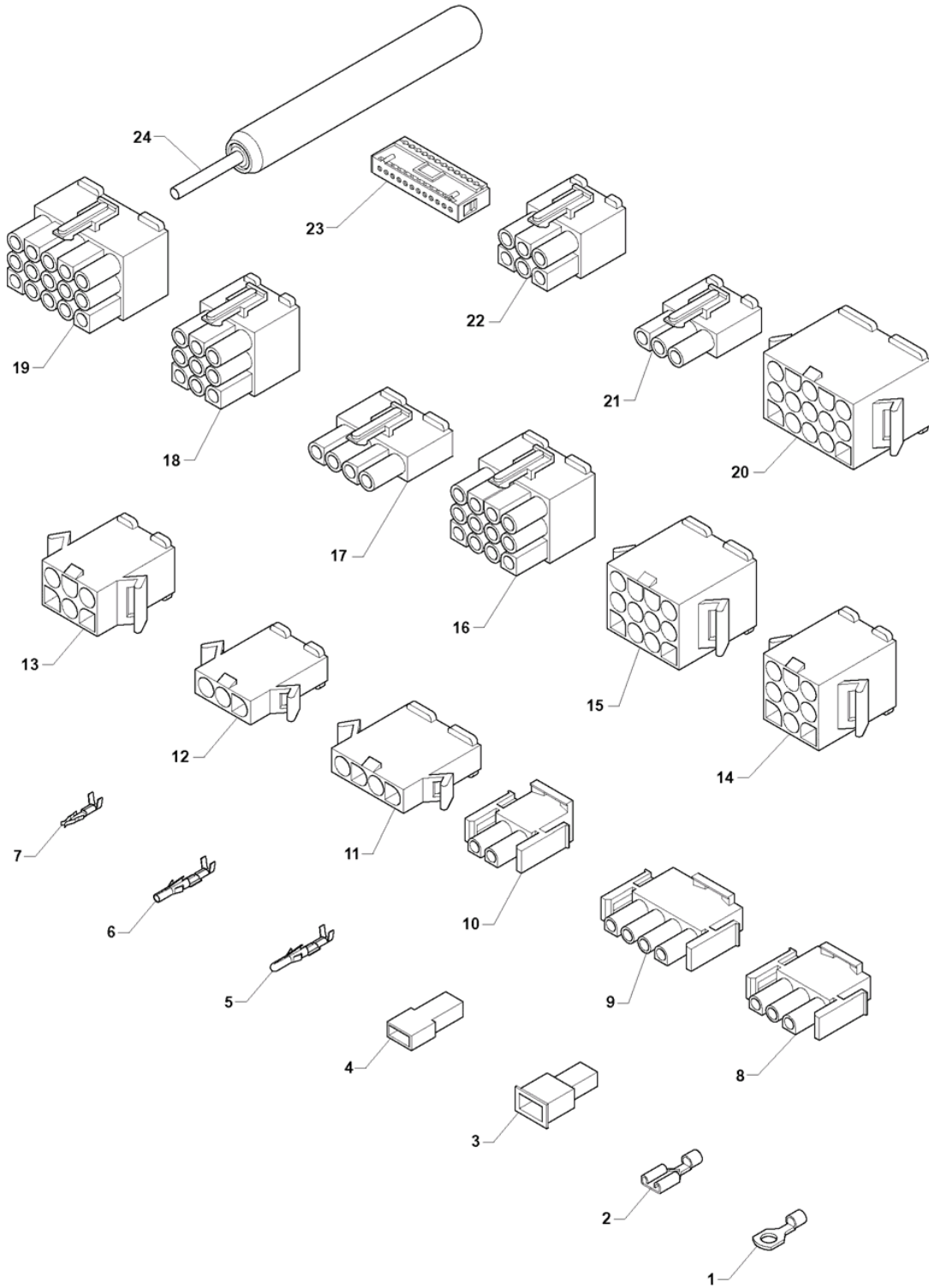


	Code	Description	Notes
1	0V2187	DISPENSING OPENING	
2	0V2107	CUP DISPENSER 70/71	
3	0V2163	8-TUBE CUP CONTAINER	
4	0V2117	CUP DISPENSER WIRING	
5	099397	MOTOR REDUCTOR 6G/1 MIN.	
6	096904	ELASTIC PLUG 1,5X8	
7	0V1928	MICRO-SWITCH 'UL'	
8	098476	PINION	
9	098473	LOWER SHELL	
10	098477	TOOTHED RING	
11	098305	SCROLL DIAM.70/71	
12	098474	UPPER SHELL	
13	098475	SHUTTER	
14	093419	MICRO DRIVE LEVER PIVOT	
15	092982	MICRO LEVER	
16	092984	MICRO SUPPORT DISK	
17	092439	MICRO TYPE 'CHERRY'	
18	097699	KNURL M4	
19	0V2019	GRILLE BACK ANGLE PROFILE	
20	0V2101	DISPENSING COMPARTMENT GRILLE -BLACK-	
21	0V2018	GRILLE SIDE ANGLE PROFILE	
22	0V2053	DISPENSING COMPARTMENT TRAY	
23	0V2068	ROCKING PLUG	
24	093754	BENZING COLLAR QUICKBLOCK BQ DIAM MM	
25	098822	PIN FOR LEVER	
26	0V2590	CUP FORK 73-74	
27	0V2022	FORK SUPPORT	
28	0V2126	HALF-OPEN BUSH	
29	098600	CHOCK	
30	097807	BUTTON	
31	0V2150	RATIOMOTOR	
32	0V2040	PINION PIN	
33	0V2042	DRIVE PINION FLANGE	
34	0V2111	DRIVE PINION	
35	092717	FIXING COLLAR DIAM MM10	
36	0V2041	MOTOR PINION FLANGE	
37	0V1517	TOBOGGAN PIGNON	
38	0V2105	CUP BASE RING -BLACK-	
39	0V2051	8-TUBE STACKER LID	
40	0V2103	CUP CHUTE - DIA. 70/71-BLACK-	
41	096977	KNURL	
42	094067	DISK	
43	0V2190	BRACKET ASSEMBLY	
44	098754	COUPLER LEVER	
45	090615	COLLAR SCREW	
46	093978	SPRING FOR ACTUATOR	

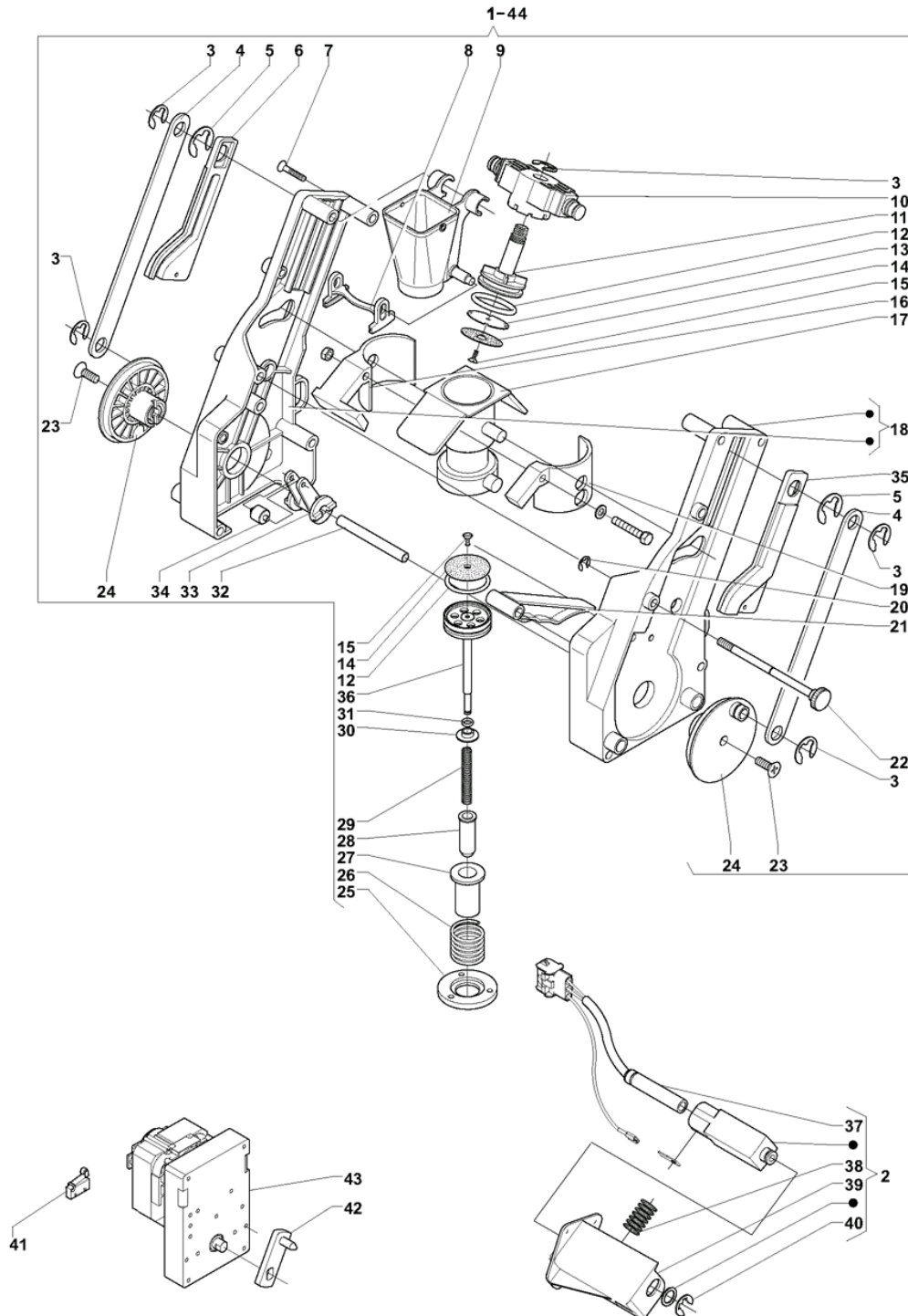
	Code	Description	Notes
47	0V1994	COUPLING SUPPORT	
48	0V2170	DISPENSING COMPARTMENT TOP -BLACK-	
49	099184	CUP POSITIONING PIN	
50	0V2197	PHOTOCELL ASSEMBLY	
51	0V2149	PHOTOCELL	
52	0V0906	CATADIOPTIC PLATE	
53	0V2593	CUP CHUTE 73-74	
54	0V3623	CUP DISPENSER 73/74	
55	0V4174	BACKPLATE NECK	



	Code	Description	Notes
1	0V2108	SUGAR-STIRRER DISPENSER	
2	0V2349	DOUBLE STIRRING BAR DISPENSER	
3	0V1995	STIRRER CONVEYOR	
4	0V2013	STIRRER DEFLECTOR	
5	099602	SPRING	
6	0V2067	STIRRER EJECTION LEVER	
7	098853	PASS-WIRE	
8	098352	STIRRING BARS EJECTING PIN	
9	091959	BENZING COLLAR DIAM MM4	
10	099607	BODY	
11	099721	SUGAR NOZZLE	
12	099605	ROD	
13	098356	SUGAR PIPE	
14	099616	SPRING	
15	099604	ROLLER	
16	099606	CAM	
17	0V2122	SUGAR RELEASE WIRING	
18	099608	SUPPORT	
19	0V2949	SUGAR SPOUT PIN	
20	099397	MOTOR REDUCTOR 6G/1 MIN.	
21	096904	ELASTIC PLUG 1,5X8	
22	098719	PVC PIPE 14X19(A METER)	
23	0V0606	ELBOW	
24	099609	COVER	
25	0V2343	SPACER	
26	0V2012	THERMOACTUATOR PROTECTION	
27	0V2128	THERMOACTUATOR	
28	090021	WHIPPING DIAM 10,5 MM	
29	093978	SPRING FOR ACTUATOR	
30	0V2049	COLUMN SHIFT PIN	
31	0V1998	COLUMN SHIFT HOOK	
32	0V2354	UPPER SQUARE	
33	0V1997	RESET LEVER	
34	090681	INSULATING DISK	
35	092439	MICRO TYPE 'CHERRY'	
36	0V2011	COLUMN SHIFT SPRING	
37	0V1996	COLUMN SHIFT STIRRER WEIGHT	
38	090203	STIRRER BAR WEIGHT L=95	
39	0V2065	STIRRER SELECTION PROFILE	
40	0V2027	STIRRER COLUMN	
41	096355	MICRO SWITCH	
42	0V2352	POSITION TEMPLATE	



	Code	Description	Notes
1	090957	EYELET TERMINAL	
2	090959	FASTON W/O TONGUE	
3	091192	FASTON COVER	
4	090247	FEMALE FASTON COVER	
5	095955	TERMINAL MALE	
6	096136	TERMINAL FEMALE	
7	094405	TERMINAL FEMALE 2,5	
8	094954	FEMALE HOLDER CONNECTOR 3-WAYS	
9	098062	4-WAY CONNECTOR MATE-N-LOK AMP	
10	094955	FEMALE HOLDER CONNECTOR 2-WAYS	
11	0V0809	4-PIN CONNECTOR/P MOLEX 3191	
12	0V0808	3-PIN CONNECTOR/P MOLEX 3191	
13	0V0810	6-PIN CONNECTOR/P MOLEX 3191	
14	0V0811	9-PIN CONNECTOR/P MOLEX 3191	
15	0V0812	12-PIN CONNECTOR/P MOLEX 3191	
16	0V0818	12-PIN CONNECTOR/P MOLEX 3191	
17	0V0815	4-PIN CONNECTOR/P MOLEX 3191	
18	0V0817	9-PIN CONNECTOR/P MOLEX 3191	
19	0V0819	15-PIN CONNECTOR/P MOLEX 3191	
20	0V0813	15-PIN CONNECTOR/P MOLEX 3191	
21	0V0814	3-PIN CONNECTOR/P MOLEX 3191	
22	0V0816	6-PIN CONNECTOR/P MOLEX 3191	
23	094961	FEMALE HOLDER CONNECTOR P.I. 12-W	
24	0V0820	MOLEX CONTACT PULLER	



	Code	Description	Notes
1	251492	Z3000 COFFEE UNIT WITH HEATER	
2	0V1783	Z2000M HEATER WITH SUPPORT	
3	092717	FIXING COLLAR DIAM MM10	
4	098565	TRACE FOR PISTON COMMAND	
5	096569	FIXING COLLAR DIAM 12	
6	098571	REAR SLEDGE	
7	250290	SCREW 4,2X26	
8	251740	COFFEE SCRAPER	
9	251739	Z3000 COFFEE CHUTE	
10	098568	CROSS-BAR	
11	098577	UPPER PISTON	
12	093167	SILICONE GASKET OR 4118 .	
13	0V1789	WATER DEFLECTOR	
14	098687	COFFEE FILTER	
15	0V1963	S/S M3X10 SCREW	
16	251486	Z3000 REAR PANEL	
17	0V1715	BREWING CHAMBER W/PLUG	
18	251101	RH-LH SUPPORT	
19	0V1784	FRONT PANEL	
20	098818	STOPPING RING D.4	
21	098575	OSCILLATING LEVER	
22	252020	TIEROD WITH KNURLED NUT	
23	0V3889	SCREW 6X14	
24	098573	CRANK	
25	098569	FLANGE FOR SPRING	
26	098689	PREINFUSION SPRING	
27	098567	LID FOR SPRING	
28	098691	LOWER PISTON GUIDE	
29	098688	PISTON RETURN SPRING	
30	098690	CONTROL BUSH	
31	090421	GASKET	
32	098693	ROD CRANK BLOCKING	
33	098574	ROTATING LEVER	
34	098692	ROTATING LEVER ROLL	
35	098572	FRONT SLEDGE	
36	099490	LOWER PISTON	
37	0V1786	25 WATT 110/265 V RESISTOR	
38	0V1788	CONTACT SPRING	
39	0V1787	SUPPORT	
40	987948	LOCKING WASHER	
41	096355	MICRO SWITCH	
42	098763	CRANK WITH PIN	
43	098708	MOTOREDUCER	
44	251687	COFFEE-GROUP Z3000	