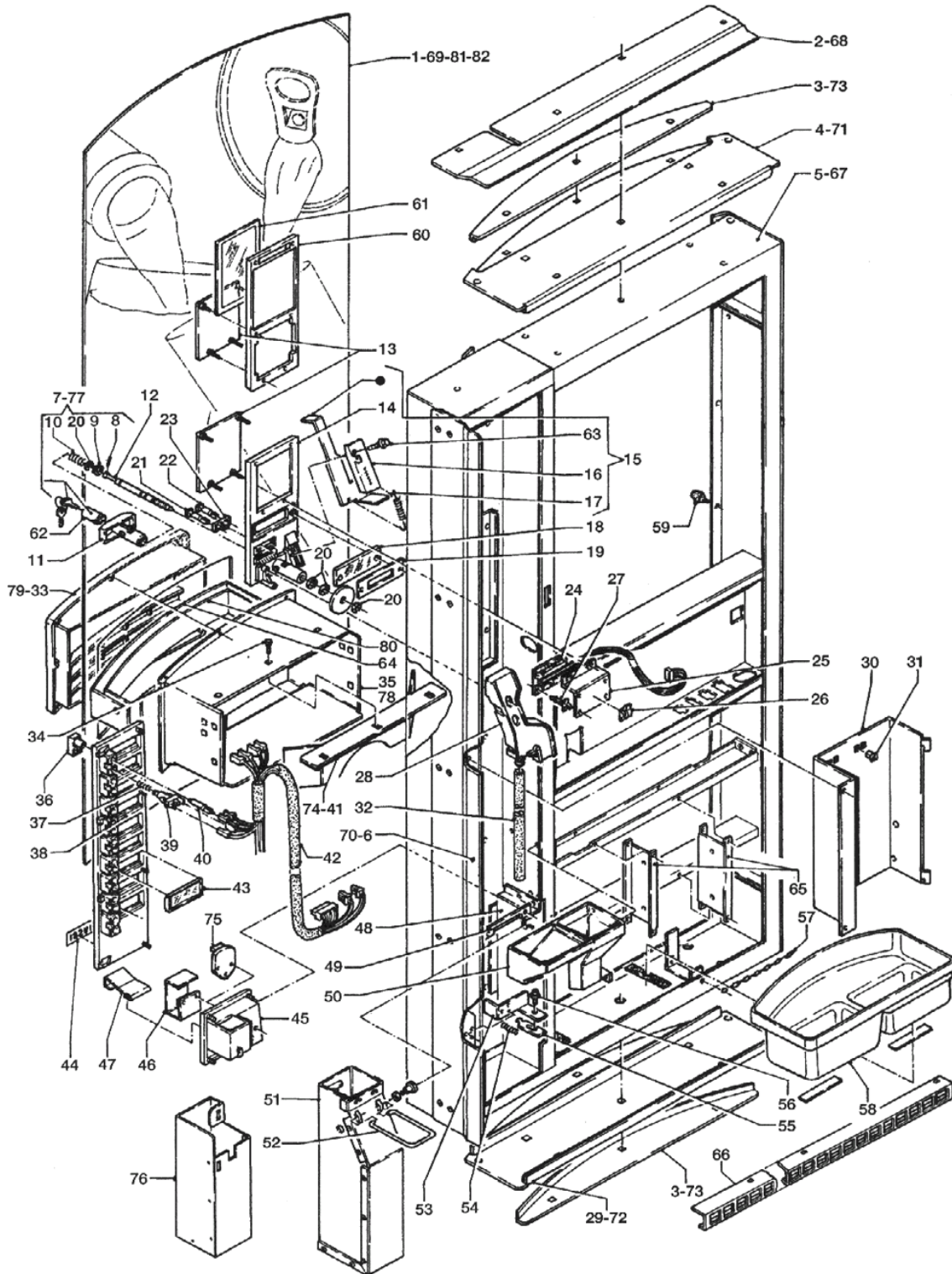


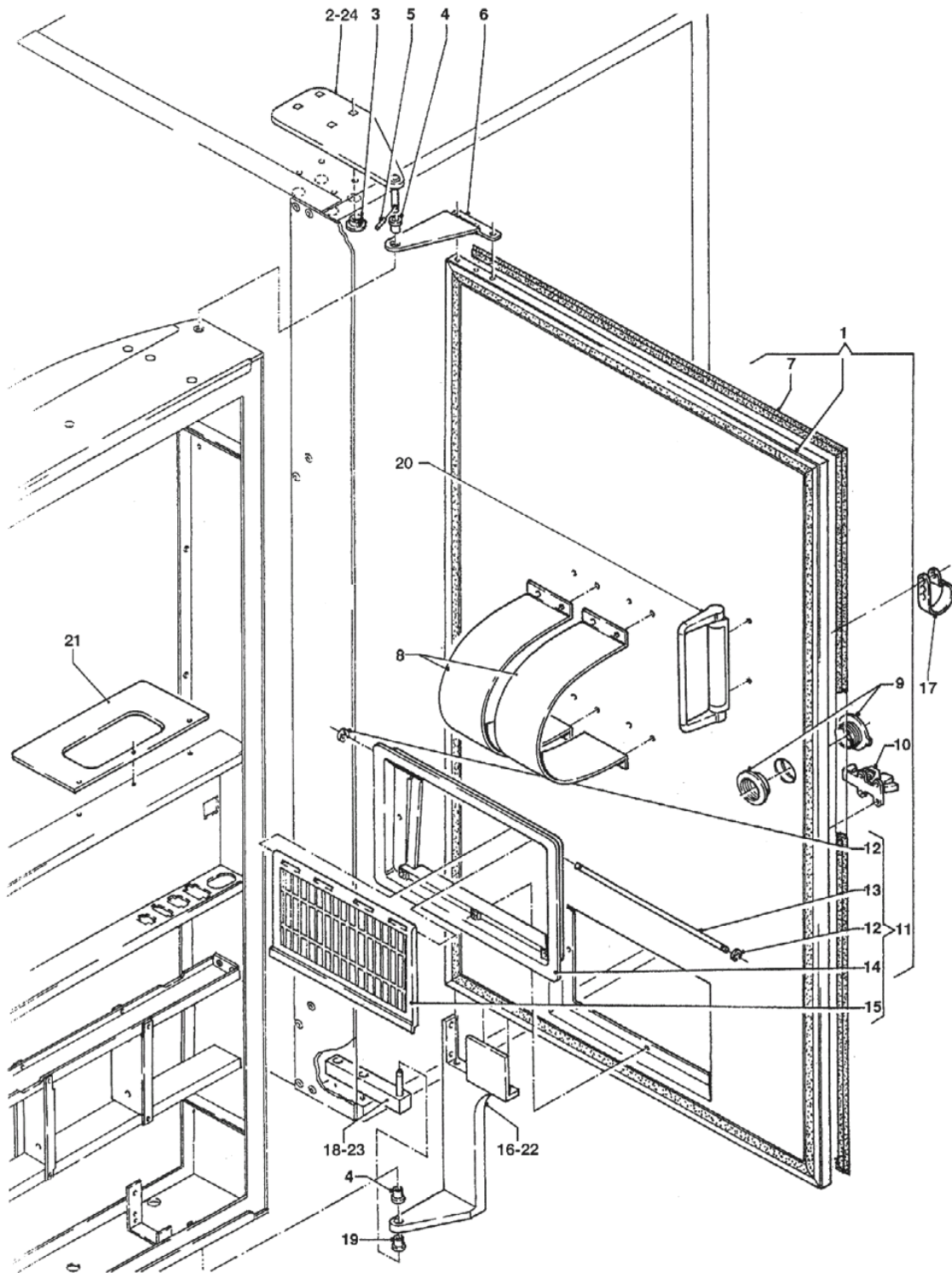
ZETA 750



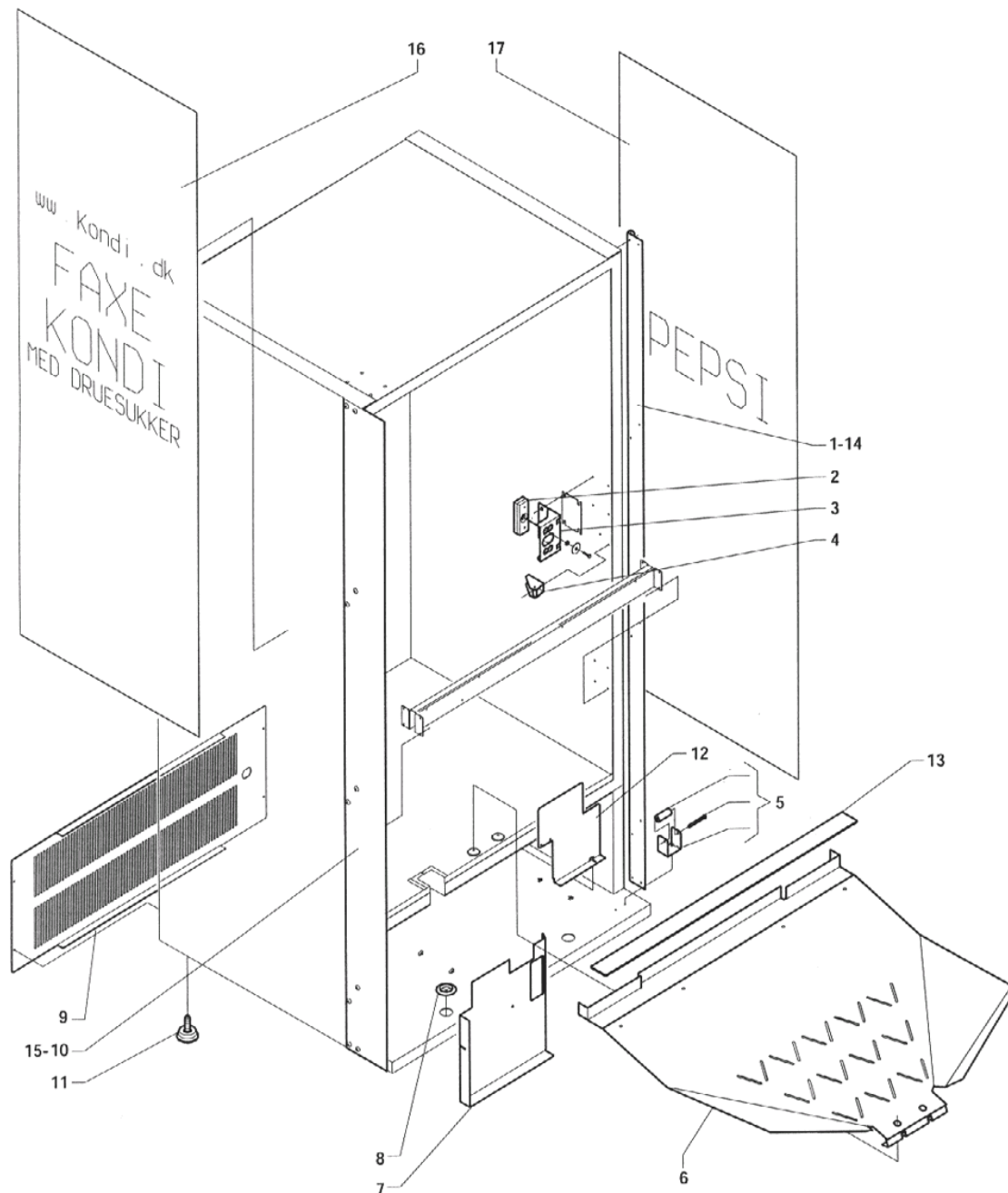


	Code	Description	Notes
1	0V2326	ADVERTISING PANEL Z750	
2	0V2311	DOOR UPPER ARMOR PLATING	
3	0V2445	DOOR HEAD PROFILE	
4	0V2443	UPPER DOOR HEAD	
5	0V2336	DOOR FRAME	
6	0V1466	DOOR RIGHT-HAND ARMOR PLATING	
7	0V1957	LOCK ASSEMBL. 'RIELDA'	
8	986794	PLUG FOR LOCK	
9	986795	HEXAGONAL WASHER FOR LOCK	
10	986796	SPRING FOR LOCK	
11	986805	HANDLE	
12	0V2704	LOCK PIN	
13	987369	CHROMED PLATE	
14	986803	COIN-INTRODUCTION-PLATE	
15	986776	COIN-RETURN LEVER	
16	0V1851	LEVER FIXING BRACKET	
17	0V1852	SPRING	
18	986481	RED DISPLAY PLATE	
19	986817	EXE TEMPLATE FOR DISPLAY	
20	098819	STOPPING RING D.9	
21	986443	GREEN LIGHT	
22	986444	ORANGE LIGHT	
23	986641	LAMP HOLDER FOR INTRODUCTION PLATE	
24	985913	EXECUTIVE CARD DISPLAY	
25	986775	DISPLAY SUPPORT EXE	
26	094989	SELF-STICKING FIXING	
27	985526	SPACER FOR DISPLAY	
28	986475	COINS SLIDE	
29	0V2444	LOWER DOOR HEAD	
30	0V1471	REVOLVING SUPPORT	
31	094111	INSULATING DOLLY BLOCK	
32	0V2324	PIPE	
33	0V2447	OUTLET MOLDING	
34	986613	SCREW M5X15	
35	0V2446	MOLDING SUPPORT	
36	987360	SELECTION BUTTON	
37	093870	BUTTON SPRING	
38	0V1949	9-SELECTION PUSH-BUTTON PLATE	
39	986927	PUSH-BUTTON	
40	986930	RED LIGHT	
41	0V1469	OUTLET ANTI-THEFT	
42	0V1478	9-SELECTION PUSH-BUTTON WIRING	
43	987359	TAG CLASS	
44	985479	BRAND 'NECTA'	
45	0V1944	COIN RETURN PLATE	
46	0V1943	HOLE SQUARE PIECE	

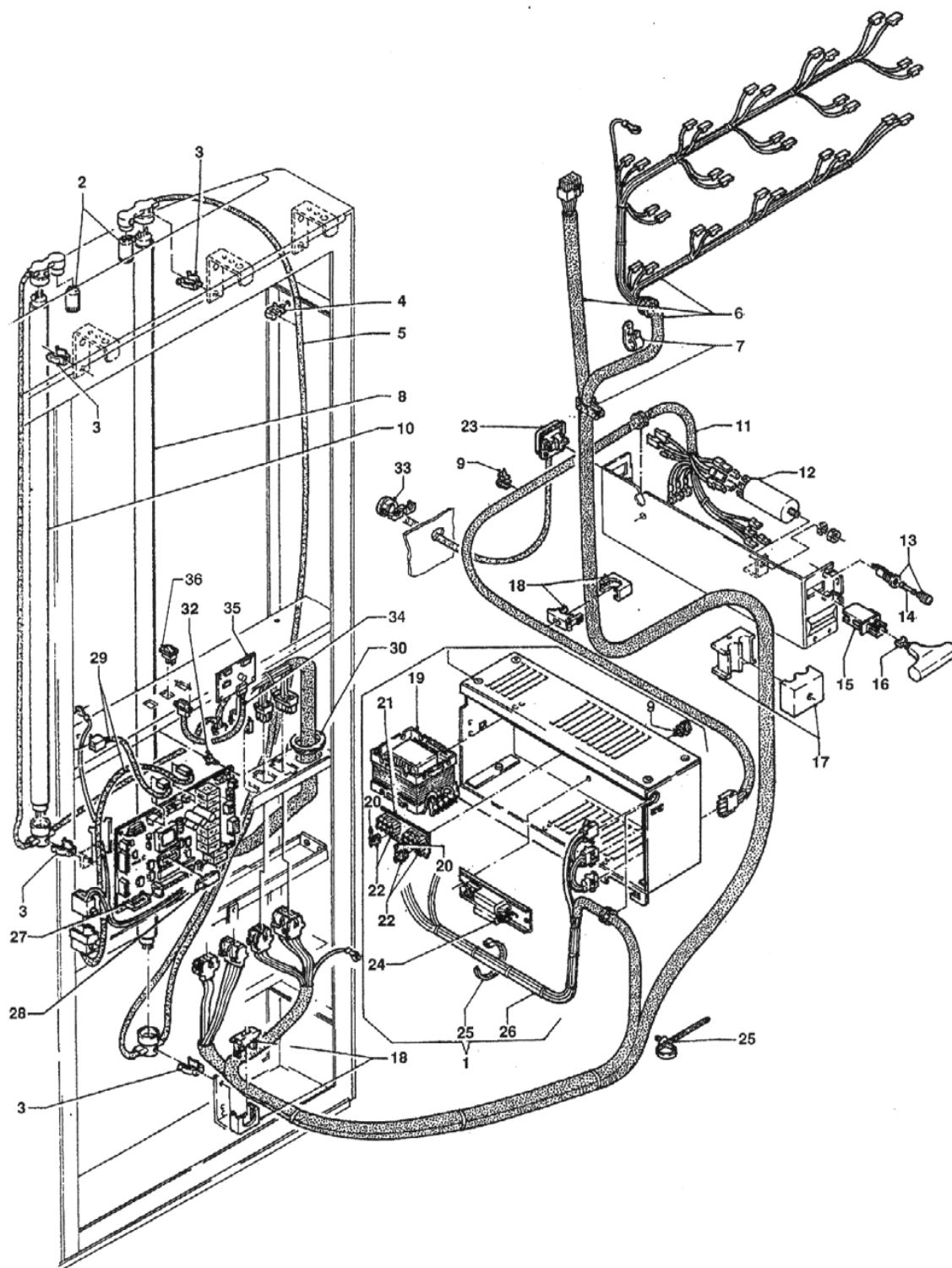
	Code	Description	Notes
47	0V1727	COIN RETURN PLATE	
48	0V1462	CASHBOX SUPPORT	
49	986765	PLATE-BLOCKING-BRACKET	
50	0V1475	COIN RETURN CHUTE	
51	0V2761	BIG COIN BOX - ZETA	
52	987212	CASHBOX HANDLE	
53	0V1476	CONTROL SQUARE	
54	093978	SPRING FOR ACTUATOR	
55	0V1673	MICROSWITCH CONTROL LEVER	
56	090615	COLLAR SCREW	
57	985608	LOCK CHAIN DOOR	
58	0V1915	TRAY	
59	093823	NOZZLE FASTENER DOLLY BLOCK	
60	0V1945	FRAME	
61	0V1736	LABEL HOLDER	
62	987352	LOCK RIELDA 4000 AE045C	
63	0V1853	SCREW WITH COLLAR	
64	0V2321	REINFORCEMENT FOR DRAWER	
65	0V2314	REINFORCEMENT	
66	0V2322	PROTECTION	
67	0V2924	DOOR FRAME - 750 KONDI	
68	0V2916	DOOR UPPER ARMOR PLATING 750	
69	0V2846	ADVERTISING PANEL - KONDI ZETA 750	
70	0V2382	RIGHT DOOR-SHEETING 'BLACK'	
71	0V2919	UPPER DOOR HEAD 750	
72	0V2920	LOWER DOOR HEAD 750	
73	0V2921	DOOR HEAD PROFILE 750 -KONDI-	
74	0V2383	OUTLET ANTI-THEFT 'BLACK'	
75	985178	BOTTLE-OPENER	
76	987226	PLUG BOX	
77	0V1602	LOCK ASSY.	
78	0V2917	FRAME SUPPORT	
79	0V2918	OPENING FRAME	
80	0V2923	DAMPER BEARING	
81	0V2956	ADVERTISING PANEL - NORDA 750	
82	0V3276	ADVERTISING PANEL PEPSI 750	



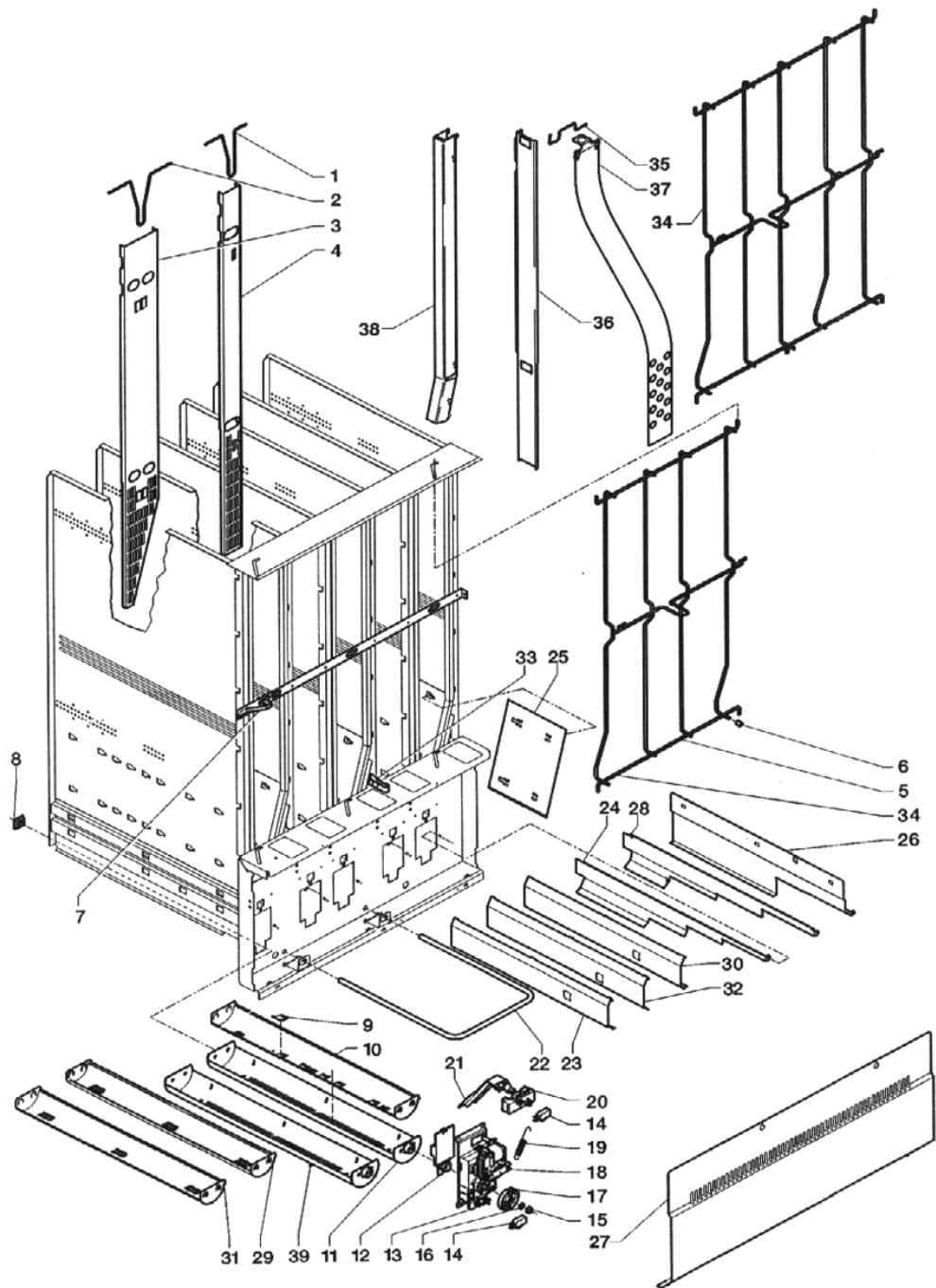
	Code	Description	Notes
1	0V2334	SCREEN-DOOR	
2	0V1722	UPPER HINGE	
3	988313	STOPPER	
4	0V1482	BUSHING	
5	096995	ELASTIC PLUG	
6	0V1486	UPPER SCREEN-DOOR HINGE	
7	0V2323	SCREEN-DOOR SEAL	
8	0V1601	ANTI-THEFT PROTECTION	
9	986000	BUSH	
10	0V1728	DOOR FRAME CONNECTION ELEMENT	
11	0V1484	MOLDING WITH PLATE	
12	091842	OUTER FIXING COLLAR D.2,3	
13	985141	PIN ISOLATING DOOR BLADE	
14	986880	SUPPORT FRAME	
15	986879	SUPPORT	
16	0V1487	LOWER SCREEN-DOOR HINGE	
17	985604	NYLON COLLAR	
18	0V1894	DOOR LOWER HINGE	
19	0V1488	HINGE BUSH	
20	987216	HANDLE	
21	0V2325	BREAKING PROTECTION ELEMENT	
22	0V2385	LOWER SCREEN-DOOR HINGE 'BLACK'	
23	0V2393	DOOR HEAD 'BLACK'	
24	0V2398	DOOR UPPER HINGE 'BLACK'	



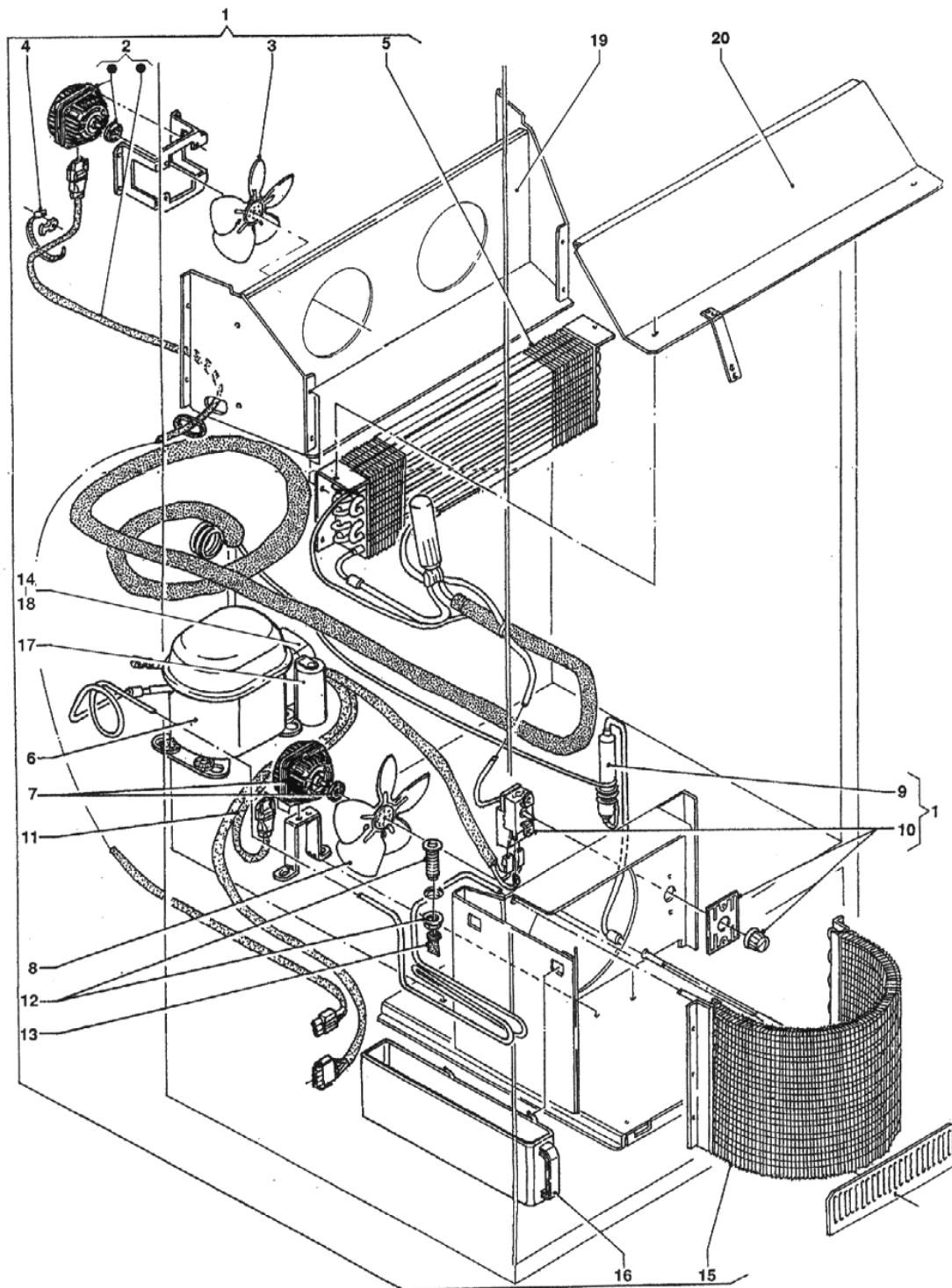
	Code	Description	Notes
1	0V1892	CABINET RIGHT-HAND ARMOR PLATING	
2	0V2705	THREADED DISC	
3	0V1446	LOCK SECURING SUPPORT	
4	0V1729	HOOK	
5	0V1445	DOOR ROLLER	
6	0V2335	CHUTE	
7	0V2319	ELECTRICAL PANEL COVER	
8	987149	PLUG	
9	0V2315	REAR GRATE	
10	0V1448	CABINET LEFT-HAND ARMOR PLATING	
11	252124	4 FEET KIT	
12	0V2318	RIGHT COVER	
13	0V2922	CHUTE DAMPER BEARING	
14	0V2384	CABINET RIGHT-HAND ARMOR PLATING'BLACK'	
15	0V2380	CABINET LEFT-HAND ARMOR PLATING'BLACK'	
16	0V2395	'KONDI'ADHESIVE	
17	0V2396	'PEPSI'ADHESIVE	



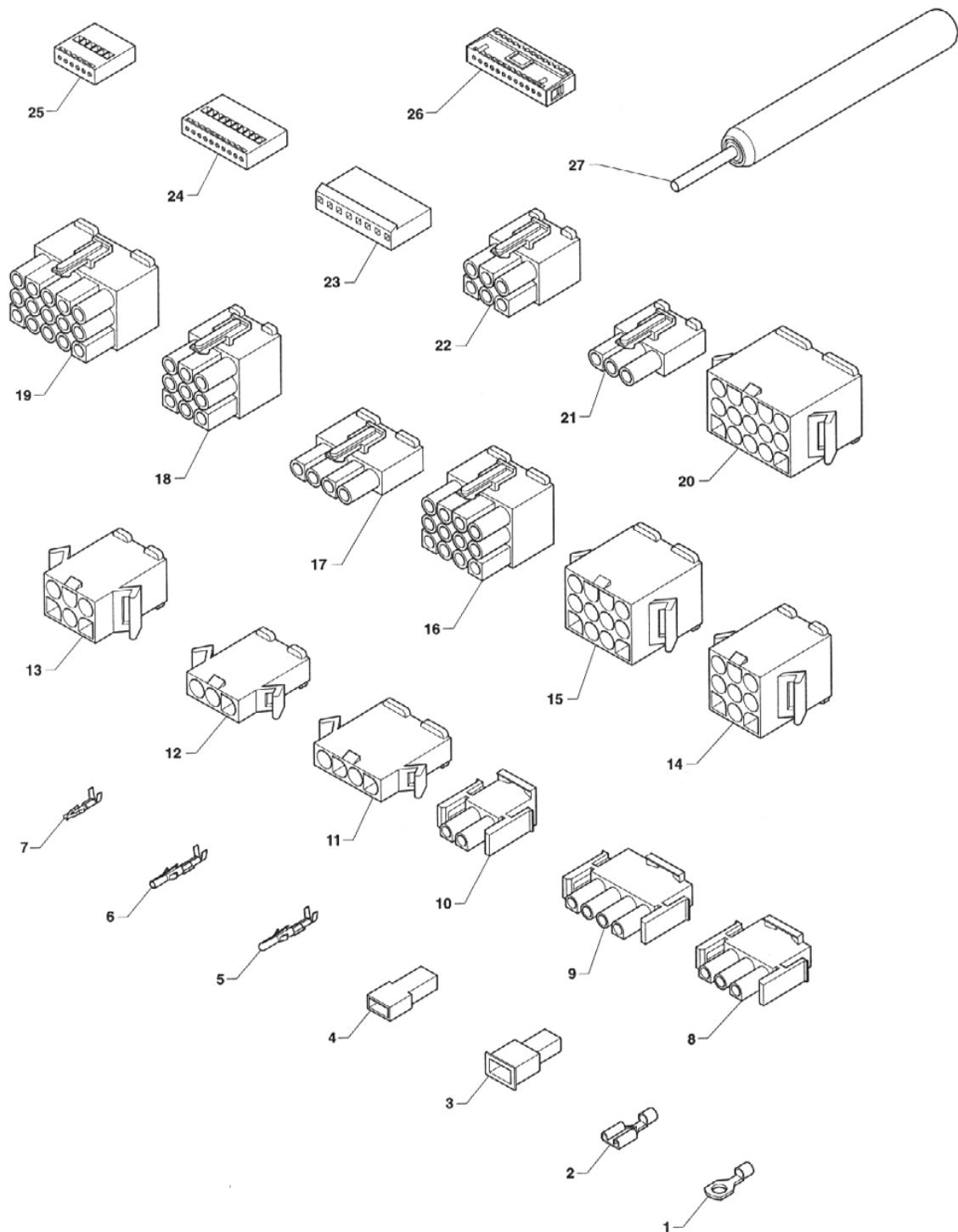
	Code	Description	Notes
1	0V2331	ELECTRICAL PANEL	
2	091802	STARTER TYPE S10	
3	098337	LAMP-HOLDER HOOKS	
4	098165	WIRE-FIXING	
5	0V2328	LAMP WIRING	
6	0V2329	SLIDE WIRING	
7	091420	ADJUSTABLE COLLAR	
8	985532	NEON LIGHT 36 WATT	
9	098166	WIRE-FIXING	
10	986531	NEON LIGHT 38 WATT	
11	0V2330	WIRING DOOR CONTACT SWITCH	
12	985034	ANTIDISTURB FILTER	
13	098192	FUSE-HOLDER 15 AMP.	
14	097489	FUSE 250V-10A DELAYED ACTION	
15	097796	SWITCH	
16	0V1654	SWITCH KEY	
17	0V1443	CABLES LOCK	
18	986813	OBO WIRECLIP	
19	0V1452	TRANSFORMER	
20	097097	FUSE 2 AMP.5X20 DELAYED ACT	
21	097242	SUB-TERMINAL BOARD	
22	097241	3-POLE TERMINAL BOARD W/CARRIER	
23	098796	TERMINAL BOARD	
24	987367	36-40WATT BALLAST	
25	090148	CLIP	
26	0V2327	ELECTRICAL PANEL WIRING	
27	0V3633	BISTANDARD BOARD	
28	095003	EPROM 256 K (TO BE PROGRAMMED)	
29	0V1479	EXECUTIVE CONNECTION WIRING	
30	093916	WHIPPING OVAL	
32	985085	CLIP FOR PRINTED CIRCUIT	
33	097851	CABLE FASTENING	
34	987433	BISTANDARD RS232 WIRING	
35	0V0903	RS 232 INTERFACE BOARD	
36	098214	SWITCH	



	Code	Description	Notes
1	0V1492	SINGLE BACKCOLUMN SPRING	
2	0V1490	DOUBLE BACKCOLUMN SPRING	
3	0V1489	DOUBLE BACKCOLUMN	
4	0V1491	SINGLE BACKCOLUMN	
5	0V2333	GATE - 4 COLUMN	
6	0V1503	GATE SLIDING BUSH	
7	0V1502	GATE STOP SPRING	
8	985822	POST. BUSH CARRIAGE ROTOR	
9	0V1497	ROTOR ANTI-THEFT	
10	0V1496	ROTOR INSERT DIAM. 65-66-67	
11	0V1495	SLIDE ROTOR	
12	0V1500	BUSH WITH DEVIATOR	
13	0V1655	LIMIT SWITCH SUPPORT	
14	985834	MICROSWITCH	
15	985318	NUT	
16	093470	FLAT WASHER MM 6,4	
17	0V1494	MICROSWITCH CONTROL CAM	
18	0V1493	GEARMOTOR	
19	0V1506	PLATE RETURN SPRING	
20	985460	BLADE-SUPPORT	
21	0V1505	EMPTY/FULL PLATE	
22	0V1504	CASE SUPPORT PIPE	
23	0V1507	SHIM DIAM. 65-66-67	
24	0V1498	CAN PLATE 0.25 LT	
25	0V1508	ANTIFRICTION ELEMENT	
26	0V1499	SHIM PLATE 0.5 LT	
27	0V2316	SLIDE COVER	
28	0V1743	CAN PLATE 0.33/0.35	
29	0V1744	ROTOR INSERT DIAM. 62-63-64	
30	0V1745	SHIM DIAM. 62-63-64	
31	0V1746	ROTOR INSERT DIAM. 68-69-70	
32	0V1747	SHIM DIAM. 68-69-70	
33	0V1769	OPEN GATE STOP SPRING	
34	0V2332	GATE - 5 COLUMN	
35	0V1770	STRIP SUPPORT SPRING	
36	0V1768	SINGLE COLUMN GUIDE	
37	0V1773	PRODUCT SEPARATOR STRIP	
38	0V1774	CONE-SHAPED BOTTLE GUIDE	
39	0V2386	SLIDE ROTOR 'KONDI'	



	Code	Description	Notes
1	0V1456	COOLING UNIT -Z-	
2	0V1893	ELECTRIC FAN	
3	0V2320	VENTILATOR	
4	090148	CLIP	
5	0V1532	EVAPORATOR	
6	986933	COMPRESSOR GP 14 TB R134	
7	987393	MOTOR	
8	987395	230-340 FAN	
9	987293	FILTER 40 GR.	
10	0V1533	K50-L3302 THERMOSTAT	
11	0V1457	COOLING UNIT WIRING	
12	987982	TUBE	
13	0V0346	DRAIN TUBE	
14	0V1779	THERMOPROTECTOR COMPRESSOR	
15	0V1531	BENT CONDENSER	
16	0V1459	WATER COLLECTION TRAY	
17	985064	CAPACITOR COMPRESSOR STARTER	
18	985074	STARTING RELAY COMPRESSOR	
19	0V2312	CONVEYOR EVAPORATOR	
20	0V2313	EVAPORATOR COVERING	



	Code	Description	Notes
1	090957	EYELET TERMINAL	
2	090959	FASTON W/O TONGUE	
3	091192	FASTON COVER	
4	090247	FEMALE FASTON COVER	
5	095955	TERMINAL MALE	
6	096136	TERMINAL FEMALE	
7	094405	TERMINAL FEMALE 2,5	
8	094954	FEMALE HOLDER CONNECTOR 3-WAYS	
9	098062	4-WAY CONNECTOR MATE-N-LOK AMP	
10	094955	FEMALE HOLDER CONNECTOR 2-WAYS	
11	0V0809	4-PIN CONNECTOR/P MOLEX 3191	
12	0V0808	3-PIN CONNECTOR/P MOLEX 3191	
13	0V0810	6-PIN CONNECTOR/P MOLEX 3191	
14	0V0811	9-PIN CONNECTOR/P MOLEX 3191	
15	0V0812	12-PIN CONNECTOR/P MOLEX 3191	
16	0V0818	12-PIN CONNECTOR/P MOLEX 3191	
17	0V0815	4-PIN CONNECTOR/P MOLEX 3191	
18	0V0817	9-PIN CONNECTOR/P MOLEX 3191	
19	0V0819	15-PIN CONNECTOR/P MOLEX 3191	
20	0V0813	15-PIN CONNECTOR/P MOLEX 3191	
21	0V0814	3-PIN CONNECTOR/P MOLEX 3191	
22	0V0816	6-PIN CONNECTOR/P MOLEX 3191	
23	093993	CHASER CONNECTOR FEMALE HOLDER 10-W	
24	094404	FEMALE HOLDER CONNECTOR 12-WAYS 2,5	
25	094712	FEMALE HOLDER CONNECTOR STOKO 6-WAY	
26	094961	FEMALE HOLDER CONNECTOR P.I. 12-W	
27	0V0820	MOLEX CONTACT PULLER	